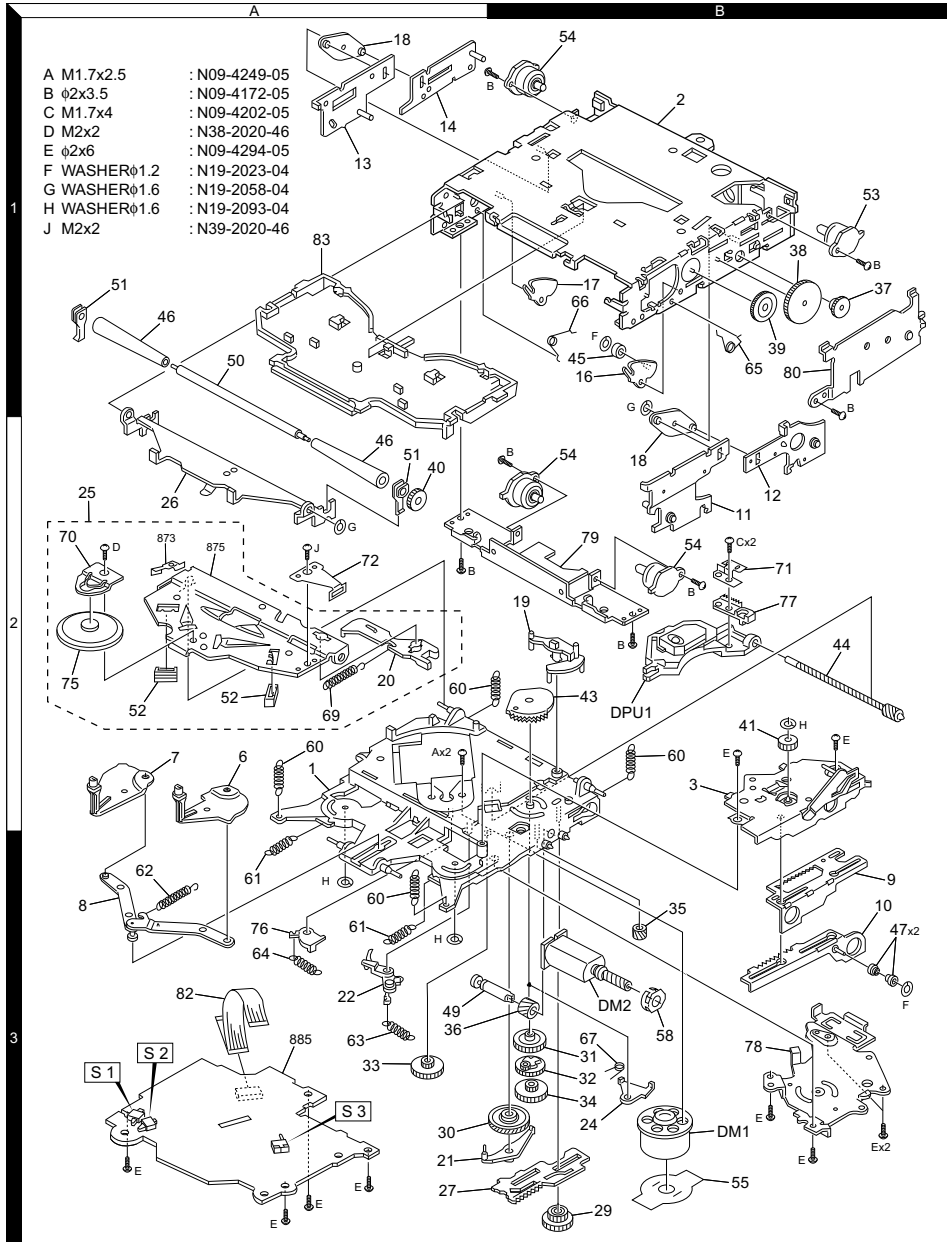


KDC-V7017

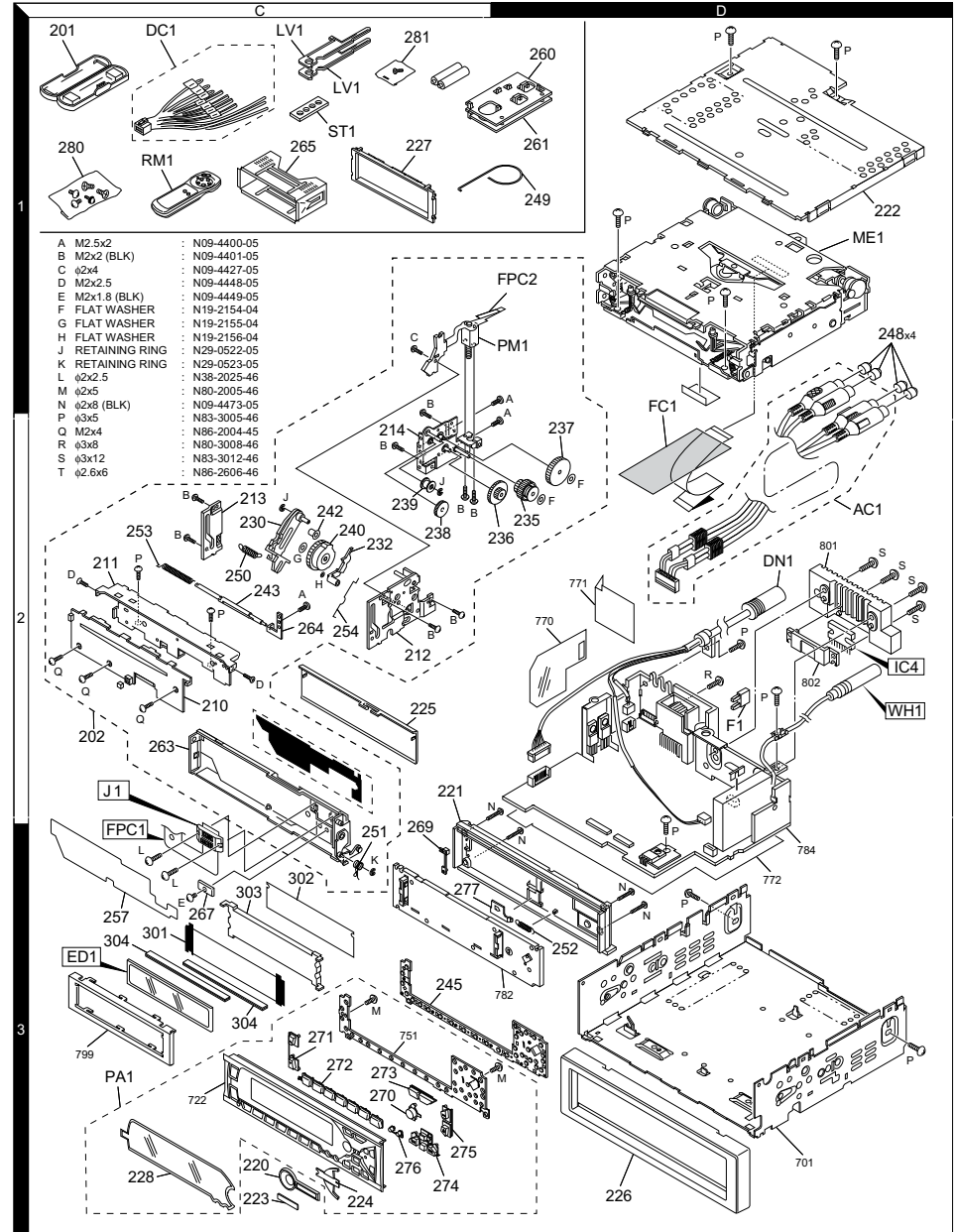
EXPLODED VIEW (CD MECHANISM)



Parts with exploded numbers larger than 700 are not supplied.

KDC-V7017

EXPLODED VIEW (UNIT)



Parts with exploded numbers larger than 700 are not supplied.

PARTS LIST

* New Parts

Parts without Parts No. are not supplied.

Les articles non mentionnes dans le Parts No. ne sont pas fournis.

Teile ohne Parts No. werden nicht geliefert.

KDC-V7017

SWITCH UNIT(X13-9950-11)

Ref.No.	A d d	N e w	Parts No.	Description	Dest inati on
KDC-V7017					
201	1C		A02-1497-03	PLASTIC CABINET ASSY	
202	2C		A10-4803-02	CHASSIS ASSY	
210	2C		A22-2865-03	SUB PANEL ASSY	
211	2C		A10-4805-02	CHASSIS	
212	2C		A10-4807-03	CHASSIS CALKING ASSY	
213	2C		A10-4812-03	CHASSIS	
214	2C		A10-4810-03	CHASSIS CALKING ASSY	
220	3C		A21-4072-03	DRESSING PANEL	
221	3C		A46-1691-01	REAR COVER	
222	1D		A52-0779-02	TOP PLATE	
PA1	3C	*	A64-2153-02	PANEL ASSY	
RM1	1C		A70-0883-05	REMOTE CONTROLLER ASSY	
223	3C		B03-3070-04	DRESSING PLATE	
224	3C		B03-3071-03	DRESSING PLATE	
225	2C		B03-3073-02	DRESSING PLATE	
226	3D		B07-3007-03	ESCUTCHEON ASSY	
227	1C		B07-3010-02	ESCUTCHEON	
228	3C		B10-3256-01	FRONT GLASS	
-			B46-0100-50	WARRANTY CARD	
-			B46-0606-04	ID CARD	
-			B64-1893-00	INSTRUCTION MANUAL E	
-			B64-1894-00	INSTRUCTION MANUAL F,S	
230	2C		D10-4563-04	ARM ASSY	
232	2C		D10-4590-04	ARM	
235	2D		D13-2135-04	GEAR ASSY	
236	2D		D13-2138-04	GEAR	
237	2D		D13-2139-04	GEAR	
238	2C		D13-2140-04	GEAR	
239	2C		D13-2141-04	GEAR ASSY	
240	2C		D13-2165-03	GEAR ASSY	
242	2C		D14-0754-04	ROLLER	
243	2C		D14-0760-03	ROLLER	
LV1	1C		D10-4562-04	LEVER	
245	3C		E29-1824-02	CONDUCTIVE RUBBER	
AC1	2D		E30-4935-05	CORD WITH PINPLUG	
DC1	1C		E30-4940-05	DC CORD	
DN1	2D		E30-4946-05	CORD WITH DIN CONNECTOR	
DN1	2D		E30-4947-05	CORD WITH DIN CONNECTOR	
FC1	2D		E39-0375-05	FLAT CABLE	
248	1D		F29-0049-05	INSULATING COVER	
F1	2D		F52-0006-05	FUSE(MINI BLADE TYPE)	
F1	2D		F52-0011-05	FUSE(MINI BLADE TYPE)	
249	1D		G01-2924-04	TORSION COIL SPRING	
250	2C		G01-3065-04	EXTENSION SPRING	
251	3C		G01-3066-04	TORSION COIL SPRING	
252	3D		G01-3069-04	EXTENSION SPRING	
253	2C		G01-3080-04	TORSION COIL SPRING	
254	2C		G09-2038-04	FORMED WIRE	
257	3C		G16-1177-04	SHEET	
-			H10-4764-02	POLYSTYRENE FOAMED FIXTURE	

Ref.No.	A d d	N e w	Parts No.	Description	Dest inati on
-			H25-0329-04	PROTECTION BAG (280X450X0.03)	
-			H25-0337-04	PROTECTION BAG (180X300X0.03)	
-			H25-1108-04	PROTECTION BAG (100X300X0.03)	
-			H30-0544-04	ADHESIVE DOUBLE-COATED TAPE	
-		*	H54-2024-03	ITEM CARTON CASE	
260	1D		J19-5051-03	BRACKET	
261	1D		J19-5052-03	BRACKET	
263	2C		J21-9651-03	MOUNTING HARDWARE ASSY	
264	2C		J21-9699-04	MOUNTING HARDWARE	
265	1C		J21-9716-03	MOUNTING HARDWARE ASSY	
267	3C		J90-0999-04	GUIDE	
FPC2	1C		J84-0122-04	FLEXIBLE PRINTED WIRING BOARD	
ST1	1C		J54-0606-04	STAY	
269	3C		K24-3646-04	KNOB OPEN	
270	3C		K24-3647-04	KNOB EQ	
271	3C		K25-1222-03	KNOB VOL	
272	3C		K25-1223-03	KNOB 1-6	
273	3C		K25-1224-03	KNOB SRC	
274	3C		K25-1225-03	KNOB FM,AM	
275	3C		K25-1226-03	KNOB EJECT	
276	3C		K25-1227-03	KNOB DISP	
277	3C		K29-7017-03	KNOB LOCK	
280	1C		N99-1652-05	SCREW SET	
281	1C		N99-1704-05	SCREW SET	
A	2C		N09-4400-05	MACHINE SCREW	
B	2C		N09-4401-05	MACHINE SCREW	
C	1C		N09-4427-05	TAPTITE SCREW	
D	2C		N09-4448-05	MACHINE SCREW	
E	3C		N09-4449-05	MACHINE SCREW	
F	2D		N19-2154-04	FLAT WASHER	
G	2C		N19-2155-04	FLAT WASHER	
H	2C		N19-2156-04	FLAT WASHER	
J	2C		N29-0522-05	RETAINING RING	
K	3C		N29-0523-05	RETAINING RING	
L	3C		N38-2025-46	PAN HEAD MACHIN SCREW	
M	3C		N80-2005-46	PAN HEAD TAPTITE SCREW	
N	3D		N80-2008-45	PAN HEAD TAPTITE SCREW	
P	1D		N83-3005-46	PAN HEAD TAPTITE SCREW	
Q	2C		N86-2004-45	BINDING HEAD TAPTITE SCREW	
PM1	1C		T42-1034-04	MOTOR ASSY	
ME1	1D		X92-4100-00	MECHANISM ASSY	
SWITCH UNIT (X13-9950-11)					
301	3C		B11-1323-04	OPTICAL DIFFUSER	
302	3C		B11-1322-04	REFLECTION SHEET	
303	3C		B19-2069-03	LIGHTING BOARD	
D1-18			B30-1605-05	LED(2COLOR PG/RED)	
D19			B30-1564-05	LED(1608,BLUE)	
D20-23			B30-1599-05	LED(NICHIA FULL)	
ED1			B38-1053-05	LIQUID CRYSTAL	
C1			CC73GCH1H681J	CHIP C 680PF J	
C2-4			CK73GB1C104K	CHIP C 0.10UF K	
C2-4			CK73GB1H104K	CHIP C 0.10UF K	

▲ indicates safety critical components.

PARTS LIST

* New Parts

Parts without Parts No. are not supplied.

Les articles non mentionnes dans le Parts No. ne sont pas fournis.

Teile ohne Parts No. werden nicht geliefert.

SWITCH UNIT(X13-9950-11)

SUB CIRCUIT UNIT(X16-1180-10)

ELECTRIC UNIT(X25-8750-10)

Ref.No.	A d d	N e w	Parts No.	Description	Dest inati on
C5,6 C8-24 C25,26 C27			CK73GB1H103K CK73GB1H103K CK73GB0J105K CK73GB1H222K	CHIP C 0.010UF K CHIP C 0.010UF K CHIP C 1.0UF K CHIP C 2200PF K	
304 J1	3C		E29-1596-04 E59-0835-05	CONDUCTIVE RUBBER RECTANGULAR PLUG	
L4 X1			L40-1015-34 L78-0556-05	SMALL FIXED INDUCTOR RESONATOR	
CP1 CP3 CP4 CP5 CP6			R90-1020-05 R90-0723-05 R90-0714-05 R90-0726-05 R90-0724-05	MULTI-COMP 22K X2 MULTI-COMP 47K X2 MULTI-COMP 10K X4 MULTI-COMP 10K X2 MULTI-COMP 1K X4	
CP7 CP10 CP11 R1-3 R4			R90-1022-05 R90-0724-05 R90-0718-05 RK73GB1J103J RK73GB1J102J	MULTI-COMP 470 X2 MULTI-COMP 1K X4 MULTI-COMP 4.7K X4 CHIP R 10K J 1/16W CHIP R 1.0K J 1/16W	
R6,7 R8 R9 R10 R11			RK73GB1J102J RK73FB2A101J RK73GB1J102J RK73GB1J223J RK73GB1J471J	CHIP R 1.0K J 1/16W CHIP R 100 J 1/10W CHIP R 1.0K J 1/16W CHIP R 22K J 1/16W CHIP R 470 J 1/16W	
R14 R16 R17 R18 R19			RK73GB1J104J RK73GB1J473J RK73GB1J103J RK73GB1J751J RK73GB1J433J	CHIP R 100K J 1/16W CHIP R 47K J 1/16W CHIP R 10K J 1/16W CHIP R 750 J 1/16W CHIP R 43K J 1/16W	
R20-23 R24-27 R28 R29,30 R31			RK73GB1J222J RK73EB2B331J RK73EB2B511J RK73EB2B561J RK73EB2B621J	CHIP R 2.2K J 1/16W CHIP R 330 J 1/8W CHIP R 510 J 1/8W CHIP R 560 J 1/8W CHIP R 620 J 1/8W	
R32,33 R34 R35,36 R37 R38,39			RK73EB2B561J RK73EB2B621J RK73EB2B561J RK73EB2B621J RK73EB2B561J	CHIP R 560 J 1/8W CHIP R 620 J 1/8W CHIP R 560 J 1/8W CHIP R 620 J 1/8W CHIP R 560 J 1/8W	
R40 R41-43 R44 R45			RK73EB2B621J RK73GB1J473J RK73EB2B391J RK73EB2B331J	CHIP R 620 J 1/8W CHIP R 47K J 1/16W CHIP R 390 J 1/8W CHIP R 330 J 1/8W	
S31			S70-0864-05	TACT SWITCH	
D24 D26 IC1 IC2 IC3			MA3091-M DA204U UPD780076GK501 LC75878W RS-171	ZENER DIODE DIODE MI-COM IC MOS-IC ANALOGUE IC	
Q1 Q1 Q2,3 Q4 Q4			2SC2412K 2SD601A 2SD2114K DTA144EUA KRA304	TRANSISTOR TRANSISTOR TRANSISTOR DIGITAL TRANSISTOR DIGITAL TRANSISTOR	

Ref.No.	A d d	N e w	Parts No.	Description	Dest inati on
Q5-7 Q5-7			2SC2412K 2SD601A	TRANSISTOR TRANSISTOR	
SUB CIRCUIT UNIT (X16-1180-10)					
J1	3C		E58-0903-05	RECTANGULAR RECEPTACLE	
FPC1	3C *		J84-0121-12	FLEXIBLE PRINTED WIRING BOARD	
ELECTRIC UNIT (X25-8750-10)					
C1 C2 C3 C4 C5			C90-5242-05 CK73GB1H222K C90-2866-05 CK73GB1H103K C90-2594-05	ELECTRO 3300UF 16WV CHIP C 2200PF K ELECTRO 220UF 16WV CHIP C 0.010UF K ELECTRO 10UF 10WV	
C6 C7 C8 C9 C11,12			CE04CW0J101M CK73FB1C105K CE04CW1A221M CE04CW1A101M CK73FB1H104K	ELECTRO 100UF 6.3WV CHIP C 1.0UF K ELECTRO 220UF 10WV ELECTRO 100UF 10WV CHIP C 0.10UF K	
C21 C21 C22 C34 C35			CK73GB1E223K CK73GB1H223K C90-2608-05 C90-2598-05 CK73GB1C683K	CHIP C 0.022UF K CHIP C 0.022UF K ELECTRO 1.0UF 50WV ELECTRO 3.3UF 25WV CHIP C 0.068UF K	
C36 C37 C38,39 C40 C41			C90-2602-05 CK73GB1H102K CK73GB1H103K CE04CW0J470M CK73GB1H103K	ELECTRO 0.10UF 50WV CHIP C 1000PF K CHIP C 0.010UF K ELECTRO 47UF 6.3WV CHIP C 0.010UF K	
C42 C43 C44 C45 C46			CC73GCH1H220J CC73GCH1H270J CK73GB0J105K C90-2608-05 CK73GB1H102K	CHIP C 22PF J CHIP C 27PF J CHIP C 1.0UF K ELECTRO 1.0UF 50WV CHIP C 1000PF K	
C48 C61 C62 C63 C65-68			CK73GB1H103K CE04CW1A470M CK73GB1H103K C90-2610-05 C90-2606-05	CHIP C 0.010UF K ELECTRO 47UF 10WV CHIP C 0.010UF K ELECTRO 2.2UF 50WV ELECTRO 0.47UF 50WV	
C69 C70 C71 C72 C72			CE04CW0J470M CK73GB1A474K CC73GCH1H151J CK73GB1E333K CK73GB1H333K	ELECTRO 47UF 6.3WV CHIP C 0.47UF K CHIP C 150PF J CHIP C 0.033UF K CHIP C 0.033UF K	
C73 C74,75 C74,75 C93-96 C113			CK73GB1H103K CK73GB1C104K CK73GB1H104K C90-2597-05 C90-2606-05	CHIP C 0.010UF K CHIP C 0.10UF K CHIP C 0.10UF K ELECTRO 10UF 16WV ELECTRO 0.47UF 50WV	
C114 C115 C116 C116 C117-120			CE04CW1C220M C90-2608-05 CK73GB1C104K CK73GB1H104K C90-5296-05	ELECTRO 22UF 16WV ELECTRO 1.0UF 50WV CHIP C 0.10UF K CHIP C 0.10UF K NP-ELECT 0.22UF 50WV	
C121-128 C121-128			CK73GB1E473K CK73GB1H473K	CHIP C 0.047UF K CHIP C 0.047UF K	

▲ indicates safety critical components.

PARTS LIST

* New Parts

Parts without Parts No. are not supplied.

Les articles non mentionnes dans le Parts No. ne sont pas fournis.

Teile ohne Parts No. werden nicht geliefert.

ELECTRIC UNIT(X25-8750-10)

Ref.No.	A d d	N e w	Parts No.	Description	Dest inati on	Ref.No.	A d d	N e w	Parts No.	Description	Dest inati on
C131			CK73GB1H103K	CHIP C 0.010UF K		R41,42			RK73GB1J123J	CHIP R 12K J 1/16W	
C133			CK73GB1A224K	CHIP C 0.22UF K		R43			RK73GB1J562J	CHIP R 5.6K J 1/16W	
C134			CE04CW1A470M	ELECTRO 47UF 10WV		R44			RK73GB1J223J	CHIP R 22K J 1/16W	
C135			CK73GB1H103K	CHIP C 0.010UF K		R45			RD14DB2H332J	SMALL-RD 3.3K J 1/2W	
C137			CK73GB1H103K	CHIP C 0.010UF K		R47			RK73GB1J183J	CHIP R 18K J 1/16W	
C139			CK73GB1H102K	CHIP C 1000PF K		R48			RK73GB1J104J	CHIP R 100K J 1/16W	
C140			CK73GB1A474K	CHIP C 0.47UF K		R49			RK73GB1J103J	CHIP R 10K J 1/16W	
C147,148			CK73GB1A224K	CHIP C 0.22UF K		R50			RK73GB1J102J	CHIP R 1.0K J 1/16W	
C149			CK73GB1C104K	CHIP C 0.10UF K		R52			RK73GB1J104J	CHIP R 100K J 1/16W	
C149			CK73GB1H104K	CHIP C 0.10UF K		R60			RK73GB1J104J	CHIP R 100K J 1/16W	
C150			CK73GB1H222K	CHIP C 2200PF K		R62			RK73GB1J104J	CHIP R 100K J 1/16W	
C160			CK73GB1E473K	CHIP C 0.047UF K		R66,67			RK73GB1J104J	CHIP R 100K J 1/16W	
C160			CK73GB1H473K	CHIP C 0.047UF K		R69			RK73GB1J222J	CHIP R 2.2K J 1/16W	
CN1			E40-3241-05	PIN ASSY		R71			RK73GB1J105J	CHIP R 1.0M J 1/16W	
CN2			E40-3237-05	PIN ASSY		R72			RK73GB1J102J	CHIP R 1.0K J 1/16W	
CN3			E40-3252-05	PIN ASSY		R73,74			RK73GB1J222J	CHIP R 2.2K J 1/16W	
CN4			E40-3261-05	PIN ASSY		R75			RK73GB1J102J	CHIP R 1.0K J 1/16W	
CN5			E40-9550-05	FLAT CABLE CONNECTOR		R76			RK73GB1J104J	CHIP R 100K J 1/16W	
CN6			E40-9557-05	FLAT CABLE CONNECTOR		R77			RK73GB1J222J	CHIP R 2.2K J 1/16W	
CN7			E40-5031-05	FLAT CABLE CONNECTOR		R79			RK73GB1J222J	CHIP R 2.2K J 1/16W	
J1			E58-0863-15	RECTANGULAR RECEPTACLE		R80,81			RK73GB1J104J	CHIP R 100K J 1/16W	
WH1			E30-4804-05	CORD WITH PLUG		R82			RK73GB1J102J	CHIP R 1.0K J 1/16W	
WH1			E30-4932-05	CORD WITH PLUG		R83,84			RK73GB1J471J	CHIP R 470 J 1/16W	
L1			L33-1170-05	CHOKE COIL ASSY		R85			RK73GB1J222J	CHIP R 2.2K J 1/16W	
L4			L40-4795-91	SMALL FIXED INDUCTOR(4.7UH,J)		R86			RK73GB1J104J	CHIP R 100K J 1/16W	
L5			L92-0075-05	CHIP FERRITE		R88			RK73GB1J104J	CHIP R 100K J 1/16W	
L6			L40-4795-91	SMALL FIXED INDUCTOR(4.7UH,J)		R89			RK73GB1J102J	CHIP R 1.0K J 1/16W	
L7			L33-1039-05	LINE FILTER COIL		R90			RK73GB1J104J	CHIP R 100K J 1/16W	
L9-12			L40-4795-91	SMALL FIXED INDUCTOR(4.7UH,J)		R93			RK73GB1J104J	CHIP R 100K J 1/16W	
X1			L78-0821-05	RESONATOR		R96			RK73GB1J104J	CHIP R 100K J 1/16W	
X2			L77-2738-05	CRYSTAL RESONATOR		R99			RK73GB1J104J	CHIP R 100K J 1/16W	
P	2D		N83-3005-46	PAN HEAD TAPTITE SCREW		R100			RK73GB1J102J	CHIP R 1.0K J 1/16W	
R	2D		N80-3008-46	PAN HEAD TAPTITE SCREW		R102			RK73GB1J102J	CHIP R 1.0K J 1/16W	
S	2D		N83-3012-46	PAN HEAD TAPTITE SCREW		R103			RK73GB1J471J	CHIP R 470 J 1/16W	
T	2D		N86-2606-46	BINDING HEAD TAPTITE SCREW		R104			RK73GB1J472J	CHIP R 4.7K J 1/16W	
CP1-3			R90-0725-05	MULTI-COMP 1K X2		R105			RK73GB1J471J	CHIP R 470 J 1/16W	
CP4			R90-0737-05	MULTI-COMP 100K X2		R106			RK73GB1J472J	CHIP R 4.7K J 1/16W	
CP5			R90-0725-05	MULTI-COMP 1K X2		R107			RK73GB1J225J	CHIP R 2.2M J 1/16W	
CP6			R90-1013-05	MULTI-COMP 2.2K X2		R108			RK73GB1J222J	CHIP R 2.2K J 1/16W	
R1			RK73GB1J223J	CHIP R 22K J 1/16W		R109			RK73GB1J102J	CHIP R 1.0K J 1/16W	
R2			RK73GB1J101J	CHIP R 100 J 1/16W		R110			RK73GB1J103J	CHIP R 10K J 1/16W	
R3			RK73GB1J223J	CHIP R 22K J 1/16W		R111			RK73GB1J102J	CHIP R 1.0K J 1/16W	
R4			RK73GB1J222J	CHIP R 2.2K J 1/16W		R112			RK73GB1J103J	CHIP R 10K J 1/16W	
R6			RK73GB1J153J	CHIP R 15K J 1/16W		R113			RK73GB1J473J	CHIP R 47K J 1/16W	
R7			R92-3032-05	CHIP R 4.3K D 1/10W		R114			RK73GB1J103J	CHIP R 10K J 1/16W	
R8			R92-3047-05	CHIP R 24K D 1/10W		R115			RK73GB1J104J	CHIP R 100K J 1/16W	
R10			RK73EB2B2R2J	CHIP R 2.2 J 1/8W		R116			RK73GB1J222J	CHIP R 2.2K J 1/16W	
R18			RK73GB1J104J	CHIP R 100K J 1/16W		R117-119			RK73GB1J102J	CHIP R 1.0K J 1/16W	
R19			RK73EB2B103J	CHIP R 10K J 1/8W		R130,131			RK73EB2B472J	CHIP R 4.7K J 1/8W	
R20			RK73GB1J104J	CHIP R 100K J 1/16W		R132-134			RK73EB2B101J	CHIP R 100 J 1/8W	
R34,35			RD14DB2H102J	SMALL-RD 1.0K J 1/2W		R135-137			RK73EB2B472J	CHIP R 4.7K J 1/8W	
R38			RD14DB2H102J	SMALL-RD 1.0K J 1/2W		R150			RK73GB1J472J	CHIP R 4.7K J 1/16W	
R39			RK73GB1J223J	CHIP R 22K J 1/16W		R151			RK73GB1J103J	CHIP R 10K J 1/16W	
R40			RD14DB2H102J	SMALL-RD 1.0K J 1/2W		R152			RK73GB1J472J	CHIP R 4.7K J 1/16W	
						R155,156			RK73EB2B100J	CHIP R 10 J 1/8W	

▲ indicates safety critical components.

PARTS LIST

* New Parts

Parts without Parts No. are not supplied.

Les articles non mentionnes dans le Parts No. ne sont pas fournis.

Teile ohne Parts No. werden nicht geliefert.

ELECTRIC UNIT(X25-8750-10)

Ref.No.	A d d	N e w	Parts No.	Description	Dest inati on
R157			RK73EB2B4R7J	CHIP R 4.7 J 1/8W	
R158			RK73GB1J102J	CHIP R 1.0K J 1/16W	
R159			RK73GB1J472J	CHIP R 4.7K J 1/16W	
R161-164			RK73FB2A361J	CHIP R 360 J 1/10W	
R165-168			RK73GB1J223J	CHIP R 22K J 1/16W	
R169-172			RK73EB2B181J	CHIP R 180 J 1/8W	
R200			RK73GB1J101J	CHIP R 100 J 1/16W	
R201			RK73GB1J103J	CHIP R 10K J 1/16W	
R202			RK73GB1J622J	CHIP R 6.2K J 1/16W	
R203			RK73GB1J473J	CHIP R 47K J 1/16W	
R204			RK73GB1J152J	CHIP R 1.5K J 1/16W	
R205-208			RK73GB1J103J	CHIP R 10K J 1/16W	
R211			RK73GB1J223J	CHIP R 22K J 1/16W	
R213			RK73GB1J223J	CHIP R 22K J 1/16W	
R220,221			RK73GB1J104J	CHIP R 100K J 1/16W	
R222-224			RK73GB1J222J	CHIP R 2.2K J 1/16W	
R230			RK73GB1J472J	CHIP R 4.7K J 1/16W	
R231			RK73GB1J473J	CHIP R 47K J 1/16W	
R233			RK73EB2B471J	CHIP R 470 J 1/8W	
R234			RK73EB2B102J	CHIP R 1.0K J 1/8W	
R235			RK73EB2B472J	CHIP R 4.7K J 1/8W	
R236			RK73EB2B471J	CHIP R 470 J 1/8W	
R237-240			RK73EB2B102J	CHIP R 1.0K J 1/8W	
W6,7			R92-1252-05	CHIP R 0 OHM	
D1			S2V20*A	DIODE	
D2			1GWJ43	DIODE	
D3			MA4056(N)-M	ZENER DIODE	
D4			HZS9A2L	ZENER DIODE	
D4			MA4082(N)-L	ZENER DIODE	
D5			MA4110-L	ZENER DIODE	
D11,12			AM01Z	DIODE	
D11,12			DSM1SD2	DIODE	
D11,12			ERA15-02	DIODE	
D14			AM01Z	DIODE	
D14			DSM1SD2	DIODE	
D14			ERA15-02	DIODE	
D15			1SS133	DIODE	
D16			MA4056(N)-M	ZENER DIODE	
D17			MA4062(N)-M	ZENER DIODE	
D18			1SS133	DIODE	
D22-24			HZS6C1	ZENER DIODE	
D22-24			MA4062-L	ZENER DIODE	
D25,26			RD6.8M(B2)	ZENER DIODE	
D27,28			MA4068(N)-M	ZENER DIODE	
D29			HZS6C1	ZENER DIODE	
D29			MA4062-L	ZENER DIODE	
D30-32			1SS133	DIODE	
D33-36			AM01Z	DIODE	
D33-36			DSM1SD2	DIODE	
D33-36			ERA15-02	DIODE	
D38-41			AM01Z	DIODE	
D38-41			DSM1SD2	DIODE	
D38-41			ERA15-02	DIODE	
D61-64			1SS133	DIODE	

Ref.No.	A d d	N e w	Parts No.	Description	Dest inati on
IC1			UPD703033GC052	MI-COM IC	
IC2			TDA7407D	ANALOGUE IC	
IC3			M5237ML	IC(VOLTAGE REGULATOR)	
IC4			TA8263BH	ANALOGUE IC	
IC8			HD74HC02FP	MOS-IC	
IC8			TC74HC02AF	IC	
IC15			LB1930M	ANALOGUE IC	
IC16			S-80837ANNP	MOS-IC	
Q1			2SB1548(P)	TRANSISTOR	
Q2			2SC4081	TRANSISTOR	
Q2			2SD1819A	TRANSISTOR	
Q3			2SA1576A	TRANSISTOR	
Q3			2SB1218A	TRANSISTOR	
Q4			2SB1548(P)	TRANSISTOR	
Q5			DTC144EUA	DIGITAL TRANSISTOR	
Q5			UN5213	DIGITAL TRANSISTOR	
Q6,7			DTA124EUA	DIGITAL TRANSISTOR	
Q6,7			KRA303	DIGITAL TRANSISTOR	
Q8			DTC144EUA	DIGITAL TRANSISTOR	
Q8			UN5213	DIGITAL TRANSISTOR	
Q9			2SD2375	TRANSISTOR	
Q10			2SB1184	TRANSISTOR	
Q11			2SC4081	TRANSISTOR	
Q11			2SD1819A	TRANSISTOR	
Q12			DTC144EUA	DIGITAL TRANSISTOR	
Q12			UN5213	DIGITAL TRANSISTOR	
Q13			DTA124EUA	DIGITAL TRANSISTOR	
Q13			KRA303	DIGITAL TRANSISTOR	
Q15			DTC144EUA	DIGITAL TRANSISTOR	
Q15			UN5213	DIGITAL TRANSISTOR	
Q24			DTC114YUA	DIGITAL TRANSISTOR	
Q24			UN5214	DIGITAL TRANSISTOR	
Q25,26			2SB1277(Q,R)	TRANSISTOR	
Q27			2SA1576A	TRANSISTOR	
Q27			2SB1218A	TRANSISTOR	
Q28			DTA124EUA	DIGITAL TRANSISTOR	
Q28			KRA303	DIGITAL TRANSISTOR	
Q29			DTC114YUA	DIGITAL TRANSISTOR	
Q29			UN5214	DIGITAL TRANSISTOR	
Q30,31			2SC4081	TRANSISTOR	
Q30,31			2SD1819A	TRANSISTOR	
Q32,33			DTA124EUA	DIGITAL TRANSISTOR	
Q32,33			KRA303	DIGITAL TRANSISTOR	
Q35			DTC124EUA	DIGITAL TRANSISTOR	
Q35			UN5212	DIGITAL TRANSISTOR	
Q36			2SC4081	TRANSISTOR	
Q36			2SD1819A	TRANSISTOR	
Q37-40			DTC143TUA	DIGITAL TRANSISTOR	
Q37-40			KRC410	DIGITAL TRANSISTOR	
Q43			DTC124EUA	DIGITAL TRANSISTOR	
Q43			UN5212	DIGITAL TRANSISTOR	
Q44			2SB1277(Q,R)	TRANSISTOR	
Q45			DTC124EUA	DIGITAL TRANSISTOR	
Q45			UN5212	DIGITAL TRANSISTOR	
Q46			2SB1277(Q,R)	TRANSISTOR	

⚠ indicates safety critical components.

PARTS LIST

* New Parts

Parts without Parts No. are not supplied.

Les articles non mentionnes dans le Parts No. ne sont pas fournis.

Teile ohne Parts No. werden nicht geliefert.

ELECTRIC UNIT(X25-8750-10)
CD PLAYER UNIT(X32-5030-00)

Ref.No.	A d d	N e w	Parts No.	Description	Dest inati on
Q50			DTC144EUA	DIGITAL TRANSISTOR	
Q50			UN5213	DIGITAL TRANSISTOR	
Q51			2SA1576A	TRANSISTOR	
Q51			2SB1218A	TRANSISTOR	
TH1			PTH9C42BD471Q	POSITIVE RESISTOR	
F/E			X86-3240-11	TUNER UNIT	
CD PLAYER UNIT (X32-5030-00)					
C1,2			CK73FB1C105K	CHIP C 1.0UF K	
C3			CK73FB0J475K	CHIP C 4.7UF K	
C4			C92-0566-05	CHIP-TAN 10UF 6.3WV	
C5			CC73GCH1H150J	CHIP C 15PF J	
C6			CC73GCH1H020C	CHIP C 2.0PF C	
C7			CK73GB1C104K	CHIP C 0.10UF K	
C8			CK73FB1C105K	CHIP C 1.0UF K	
C10			CK73GB1H472K	CHIP C 4700PF K	
C11			CK73GB1H682K	CHIP C 6800PF K	
C12			CK73GB1H332K	CHIP C 3300PF K	
C13			CK73GB1C333K	CHIP C 0.033UF K	
C14			CK73GB1H472K	CHIP C 4700PF K	
C15			CK73GB1C473K	CHIP C 0.047UF K	
C16			CC73GCH1H151J	CHIP C 150PF J	
C17			CK73GB1H472K	CHIP C 4700PF K	
C18			CC73GCH1H221J	CHIP C 220PF J	
C19,20			CK73GB1C104K	CHIP C 0.10UF K	
C21			CK73FB0J475K	CHIP C 4.7UF K	
C23			CK73GB1H102K	CHIP C 1000PF K	
C24			CK73GB1E223K	CHIP C 0.022UF K	
C25			CK73GB1H153K	CHIP C 0.015UF K	
C26			CK73GB0J105K	CHIP C 1.0UF K	
C28			CK73GB0J105K	CHIP C 1.0UF K	
C29			CK73GB1C104K	CHIP C 0.10UF K	
C33-35			CK73GB1C104K	CHIP C 0.10UF K	
C41			CK73EB1C225K	CHIP C 2.2UF K	
C43			CK73GB1H153K	CHIP C 0.015UF K	
C45			CK73GB1H153K	CHIP C 0.015UF K	
C46			CK73GB1C473K	CHIP C 0.047UF K	
C51			CK73FB1C105K	CHIP C 1.0UF K	
C55			CK73GB1C104K	CHIP C 0.10UF K	
C63			C92-1359-05	CHIP-TAN 10UF 16WV	
C67,68			CK73GB0J105K	CHIP C 1.0UF K	
C71,72			CK73GB1H471K	CHIP C 470PF K	
C77,78			CC73GCH1H680J	CHIP C 68PF J	
C79,80			CK73GB1H222K	CHIP C 2200PF K	
C85			CK73GB1C104K	CHIP C 0.10UF K	
C89			CK73GB1H222K	CHIP C 2200PF K	
CN1			E40-9536-05	FLAT CABLE CONNECTOR	
CN2			E40-9339-05	FLAT CABLE CONNECTOR	
CN2			E41-0036-05	FLAT CABLE CONNECTOR	
CN2			E41-0129-05	FLAT CABLE CONNECTOR	
X1			L78-0572-05	RESONATOR (16.93MHZ)	
CP1-3			R90-1019-05	MULTI-COMP 100 X2	
R3			RK73GB1J272J	CHIP R 2.7K J 1/16W	
R5			RK73GB1J361J	CHIP R 360 J 1/16W	

Ref.No.	A d d	N e w	Parts No.	Description	Dest inati on
R6			RK73GB1J272J	CHIP R 2.7K J 1/16W	
R8			RK73EB2B4R7J	CHIP R 4.7 J 1/8W	
R9			RK73EB2B100J	CHIP R 10 J 1/8W	
R10,11			RK73GB1J103J	CHIP R 10K J 1/16W	
R12			RK73GB1J912J	CHIP R 9.1K J 1/16W	
R15			RK73GB1J824J	CHIP R 820K J 1/16W	
R16			RK73GB1J223J	CHIP R 22K J 1/16W	
R17			RK73GB1J513J	CHIP R 51K J 1/16W	
R18			RK73GB1J392J	CHIP R 3.9K J 1/16W	
R19			RK73GB1J513J	CHIP R 51K J 1/16W	
R20			RK73GB1J104J	CHIP R 100K J 1/16W	
R21			RK73GB1J304J	CHIP R 300K J 1/16W	
R32			RK73GB1J104J	CHIP R 100K J 1/16W	
R34			RK73GB1J683J	CHIP R 68K J 1/16W	
R36			RK73GB1J151J	CHIP R 150 J 1/16W	
R37			RK73GB1J471J	CHIP R 470 J 1/16W	
R38			RK73GB1J224J	CHIP R 220K J 1/16W	
R44			RK73GB1J512J	CHIP R 5.1K J 1/16W	
R45			RK73GB1J103J	CHIP R 10K J 1/16W	
R46			RK73GB1J102J	CHIP R 1.0K J 1/16W	
R47			RK73GB1J103J	CHIP R 10K J 1/16W	
R49			RK73GB1J472J	CHIP R 4.7K J 1/16W	
R52			RK73GB1J104J	CHIP R 100K J 1/16W	
R54			RK73GB1J104J	CHIP R 100K J 1/16W	
R71			RK73GB1J103J	CHIP R 10K J 1/16W	
R72			RK73GB1J102J	CHIP R 1.0K J 1/16W	
R73			RK73GB1J473J	CHIP R 47K J 1/16W	
R75			RK73GB1J333J	CHIP R 33K J 1/16W	
R76			RK73GB1J622J	CHIP R 6.2K J 1/16W	
R77			RK73GB1J563J	CHIP R 56K J 1/16W	
R78			RK73GB1J243J	CHIP R 24K J 1/16W	
R81			RK73GB1J333J	CHIP R 33K J 1/16W	
R82			RK73GB1J123J	CHIP R 12K J 1/16W	
R83			RK73GB1J102J	CHIP R 1.0K J 1/16W	
R101,102			RK73GB1J332J	CHIP R 3.3K J 1/16W	
R103,104			RK73GB1J562J	CHIP R 5.6K J 1/16W	
R107,108			RK73FB2A331J	CHIP R 330 J 1/10W	
R117,118			RK73FB2A203J	CHIP R 20K J 1/10W	
R121,122			RK73FB2A203J	CHIP R 20K J 1/10W	
R125,126			RK73FB2A203J	CHIP R 20K J 1/10W	
R202			RK73GB1J104J	CHIP R 100K J 1/16W	
R213			RK73GB1J104J	CHIP R 100K J 1/16W	
R218			RK73GB1J473J	CHIP R 47K J 1/16W	
R233			RK73GB1J622J	CHIP R 6.2K J 1/16W	
R234			RK73GB1J103J	CHIP R 10K J 1/16W	
W17			R92-2053-05	CHIP R 0 J 1/8W	
S1,2			S68-0838-05	PUSH SWITCH	
S3			S68-0859-05	PUSH SWITCH	
D1,2			DAN202U	DIODE	
D3			DA204U	DIODE	
D4			DAN202U	DIODE	
IC1			AN22000AA	ANALOGUE IC	
IC2			MN662773KF1	MOS-IC	

⚠ indicates safety critical components.

KDC-V7017

PARTS LIST

* New Parts

Parts without Parts No. are not supplied.

Les articles non mentionnes dans le Parts No. ne sont pas fournis.

Teile ohne Parts No. werden nicht geliefert.

CD PLAYER UNIT(X32-5030-00)
CD MECHANISM ASSY(X92-4100-00)

Ref.No.	A d d	N e w	Parts No.	Description	Dest inati on
IC4			BA5917AFP	ANALOGUE IC	
IC5			TA78L05F	IC(VOLTAGE REGULATOR/ +5V)	
IC6			NJM4565MD	IC(OP AMP X2)	
Q1			MCH6101	TRANSISTOR	
Q2			DTC124EUA	DIGITAL TRANSISTOR	
Q3,4			2SA1362(Y)	TRANSISTOR	
Q5			DTC124EUA	DIGITAL TRANSISTOR	
CD MECHANISM ASSY (X92-4100-00)					
1	2A		A10-4482-01	CHASSIS	
2	1B		A10-4225-33	CHASSIS CALKING ASSY	
3	2B		A11-0915-43	SUB CHASSIS CALKING ASSY	
6	2A		D10-4306-04	ARM ASSY	
7	2A		D10-4305-04	ARM ASSY	
8	3A		D10-3087-44	ARM ASSY	
9	3B		D10-3092-03	SLIDER	
10	3B		D10-3093-04	SLIDER ASSY	
11	2B		D10-3095-04	SLIDER ASSY	
12	2B		D10-3096-04	SLIDER ASSY	
13	1A		D10-3099-24	SLIDER ASSY	
14	1A		D10-3100-04	SLIDER ASSY	
16	1B		D10-4004-04	LEVER ASSY	
17	1B		D10-4006-04	LEVER	
18	1A		D10-4007-04	LEVER	
19	2B		D10-4008-14	LEVER	
20	2A		D10-4009-23	ARM	
21	3A		D10-4010-04	LEVER	
22	3A		D10-4307-04	LEVER ASSY	
24	3B		D10-4050-04	ARM	
25	3A		D10-4038-23	ARM ASSY	
26	2A		D10-4123-24	LEVER ASSY	
27	3A		D13-1442-03	RACK (GEAR)	
29	3B		D13-1231-04	GEAR	
30	3A		D13-1240-04	GEAR	
31	3B		D13-1233-04	GEAR	
32	3B		D13-1234-14	GEAR ASSY	
33	3A		D13-1441-03	GEAR	
34	3B		D13-1232-04	GEAR	
35	3B		D13-1241-04	GEAR	
36	3A		D13-1242-04	GEAR	
37	1B		D13-1243-04	GEAR	
38	1B		D13-1244-04	GEAR	
39	1B		D13-1245-14	GEAR	
40	2A		D13-1246-04	GEAR	
41	2B		D13-1247-04	GEAR	
43	2B		D13-1249-04	GEAR ASSY	
44	2B		D13-1341-04	GEAR ASSY (LEAD SCREW)	
45	1B		D14-0668-04	ROLLER	
46	2A		D14-0670-04	ROLLER	
47	3B		D14-0674-04	ROLLER	
49	3A		D21-2228-14	SHAFT	
50	1A		D21-2229-04	SHAFT	
51	1A		D23-0925-24	RETAINER	
52	2A		D32-0614-04	STOPPER	
53	1B		D39-0223-05	DAMPER (YELLOW)	

Ref.No.	A d d	N e w	Parts No.	Description	Dest inati on
54	2B		D39-0224-05	DAMPER (BLACK)	
55	3B		F09-1246-04	SHEET	
58	3B		F09-1266-14	SHEET	
60	2A		G01-2770-04	EXTENSION SPRING	
61	3A		G01-2771-04	EXTENSION SPRING	
62	3A		G01-2772-24	EXTENSION SPRING	
63	3A		G01-2773-14	EXTENSION SPRING	
64	3A		G01-2774-34	EXTENSION SPRING	
65	1B		G01-2775-04	TORSION COIL SPRING	
66	1B		G01-2776-14	TORSION COIL SPRING	
67	3B		G01-2777-24	TORSION COIL SPRING	
69	2A		G01-2844-04	EXTENSION SPRING	
70	2A		G02-1231-04	FLAT SPRING	
71	2B		G02-1232-24	FLAT SPRING	
72	2A		G02-1241-24	FLAT SPRING	
75	2A		J11-0613-13	CLAMPER	
76	3A		J19-4678-13	HOLDER	
77	2B		J19-4679-24	HOLDER	
78	3B		J21-7684-13	MOUNTING HARDWARE	
79	2B		J21-7686-13	MOUNTING HARDWARE	
80	1B		J21-7690-03	MOUNTING HARDWARE	
82	3A		J84-0107-05	FLEXIBLE PRINTED WIRING BOARD	
83	1A		J90-0757-22	GUIDE	
A	2A		N09-4249-05	MACHINE SCREW (M1.7X2.5,LOCK)	
B	1B		N09-4172-05	TAPPING SCREW (2X3.5,CTITE)	
C	2B		N09-4202-05	STEPPED SCREW	
D	2A		N38-2020-46	PAN HEAD MACHIN SCREW	
E	3A		N09-4294-05	TAPTITE SCREW (BIND P TAPTIT)	
F	3B		N19-2023-04	FLAT WASHER	
G	2A		N19-2058-04	FLAT WASHER	
H	3A		N19-2093-04	FLAT WASHER	
J	2A		N39-2020-46	PAN HEAD MACHIN SCREW	
DM1	3B		T42-0764-04	DC MOTOR ASSY	
DM2	3B		T42-0763-04	DC MOTOR ASSY	
DPU1	2B		T25-0215-05	OPTICAL PICKUP HEAD	

⚠ indicates safety critical components.