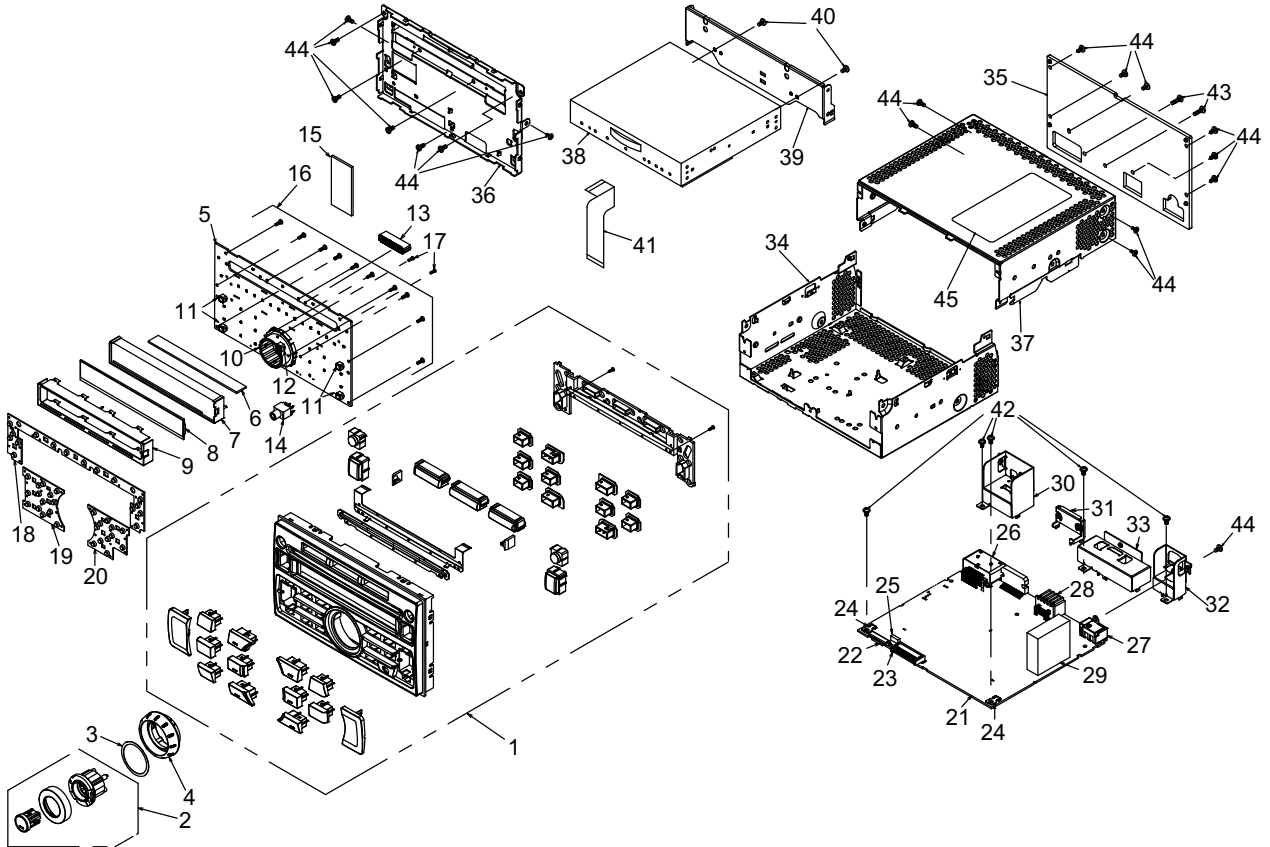


EXPLODED VIEW/PARTS LIST

Main section



Note) Some parts depend on each model. The model name is specified in the description.

NO.	PART NO.	DESCRIPTION	Q'TY	NO.	PART NO.	DESCRIPTION	Q'TY
1	940-8436-00 940-8436-10 940-8436-20 940-8436-30	ES-ASSY(PP-3090H-A) ES-ASSY(PN-3090L-A) ES-ASSY(PP-3090N-A) ES-ASSY(PN-3090L-B)	1	23	076-3011-76	PLUG (26P)	1
2	947-0591-10	KNOB ASSY	1	24	073-0762-90	TERMINAL	2
3	347-7959-00	SHADE	1	25	076-6000-59	PLUG (9P)	1
4	380-5655-00	KNOB	1	26	074-4009-20	OUTLET SOCKET	1
5	-----	SWITCH PWB	1	27	092-2210-01	ANT-RECEPT	1
6	345-6311-00	RUBBER CONNECT	1	28	074-1013-00	OUTLET SOCKET	1
7	335-8365-00	LCD-HOLDER	1	29	880-2091L	AM/FM TUNER	1
8	379-1419-50 379-1419-52	INDICATOR (PN-3090L, PP-3090N-A) INDICATOR(PP-3090H-A)	1	30	331-4679-00	SOCKET HOLDER	1
9	331-4675-01	LCD COVER	1	31	331-4678-00	IC-HOLDER	1
10	016-7004-00	ROTARY SWITCH	1	32	331-4676-00	ANT-HOLDER	1
11	013-6202-52	TACT SWITCH	4	33	331-4677-00	SHIELD CASE	1
12	013-6201-53	SWITCH	1	34	311-1969-00	LOWER CASE	1
13	074-3033-26	OUTLET SOCKET	1	35	313-2052-20	HEAT SINK	1
14	075-0395-00	JACK	1	36	309-1885-00	ES-PLATE(1CD)	1
15	345-8090-00	CUSHION RUBBER	1	37	310-1889-00	UPPER CASE	1
16	716-0778-52	WAVE SCREW (2 x 6)	10	38	929-5027-80	CD-MECH-MODULE	1
17	716-0872-51	SCREW (M1.7 x 5)	2	39	331-4123-00	CD BRKT	1
18	345-6307-00	RUBBER SW(UP)	1	40	714-2603-89	MACHINE SCREW (M2.6 x 3)	2
19	345-6308-00	RUBBER SW(LH)	1	41	816-3020-51	FLAT WIRE	1
20	345-6309-00	RUBBER SW(RH)	1	42	716-0878-50	SCREW (M2.6 x 5)	5
21	-----	MAIN PWB	1	43	735-2614-1B	D-SEMS SCREW	2
22	074-1189-88	OUTLET SOCKET	1	44	714-2606-8B	MACHINE SCREW (M2.6 x 6)	18
				45	276-0359-07 276-0507-00 276-0507-02 276-0507-03	SETPLATE(PN-3090L-A) SETPLATE(PP-3090H-A) SETPLATE(PP-3090N-A) SETPLATE(PN-3090L-B)	1

ELECTRICAL PARTS LIST

Main PWB(B1) section

Note) Some parts depend on each model. The model name is specified in the description.

REF No.	PART No.	DESCRIPTION	REF No.	PART No.	DESCRIPTION	REF No.	PART No.	DESCRIPTION
ANT101	092-2210-01	ANT-RECEPT	C330	166-1011-50	100pF CH	C520	168-3342-58	0.33uF
BL101	880-2091L	AM/FM TUNER	C331	168-1042-78	16V 0.1uF	C521	166-5611-50	560pF CH
C101	168-2222-55	2200pF K (PN-3090L-A) (PN-3090L-B)	C332	166-1011-50	100pF CH	C522	166-5611-50	560pF CH
C104	119-0000-05	1/10W 0 ohm JW (PN-3090L-A) (PN-3090L-B)	C333	168-1022-55	1000pF K	C523	168-1042-78	16V 0.1uF
C104	166-6801-50	68pF CH (PP-3090H-A) (PP-3090N-A)	C334	168-1022-55	1000pF K	C524	168-2242-58	0.22uF B
C112	043-0319-51	200P	C335	163-1063-35	16V 10uF	C525	043-0552-90	6.3V 47uF M
C113	166-2201-50	22pF CH	C336	168-1052-78	16V 1uF	C526	043-0566-90	50V 2.2uF K
C118	168-1022-55	1000pF K	C337	168-3332-78	0.033uF K	C527	043-0604-90	25V 10uF B
C121	163-1073-35	16V 100uF	C338	168-1022-55	1000pF K	C529	168-4742-78	0.47uF
C124	168-2222-55	2200pF K	C340	168-1022-55	1000pF K	C530	168-1042-38	50V 0.1uF
C127	168-1022-55	1000pF K	C341	166-1011-50	100pF CH	C531	163-1073-35	16V 100uF
C129	168-1022-55	1000pF K	C342	168-1022-55	1000pF K	C532	168-1542-58	0.15uF K
C132	168-1022-55	1000pF K	C343	168-4712-55	470pF K	C533	168-1542-58	0.15uF K
C135	168-1022-55	1000pF K	C344	168-1042-78	16V 0.1uF	C534	168-1542-58	0.15uF K
C136	163-1073-35	16V 100uF	C345	168-1022-55	1000pF K	C535	168-1542-58	0.15uF K
C152	163-1063-35	16V 10uF	C347	168-3322-55	3300pF K	C536	168-1042-78	16V 0.1uF
C154	163-1063-35	16V 10uF (PN-3090L-A) (PN-3090L-B)	C348	168-3322-55	3300pF K	C537	178-1052-78	1uF
C203	168-1042-78	16V 0.1uF	C349	168-3322-55	3300pF K	C540	042-1760-90	16V 10uF M
C204	163-3363-25	10V 33uF	C350	168-3322-55	3300pF K	C541	178-2742-78	0.27uF
C209	043-0570-90	16V 2.2uF K	C351	168-3322-55	3300pF K	C542	168-1052-78	16V 1uF
C210	043-0570-90	16V 2.2uF K	C352	168-3322-55	3300pF K	C543	163-4763-35	16V 47uF
C211	043-0570-90	16V 2.2uF K	C352	168-3322-55	3300pF K	C544	163-2273-25	10V 220uF
C212	043-0570-90	16V 2.2uF K	C354	043-0554-90	25V 10uF	C545	168-2212-55	220pF K
C214	168-1022-55	1000pF K	C355	042-1736-90	16V 470uF M	C546	166-2201-50	22pF CH
C217	168-1022-55	1000pF K	C356	168-4722-55	4700pF K	C548	163-4763-35	16V 47uF
C218	168-1022-55	1000pF K	C357	163-1073-15	6.3V 100uF	C549	042-1465-00	16V 3300uF
C227	043-0552-90	6.3V 47uF M	C358	168-2222-55	2200pF K	C550	172-1041-15	0.1uF
C230	168-2242-58	0.22uF B	C359	043-0570-90	16V 2.2uF K	C551	163-4763-35	16V 47uF
C231	168-3342-58	0.33uF	C360	043-0570-90	16V 2.2uF K	C552	163-4763-35	16V 47uF
C232	043-0554-90	10V 10uF	C361	166-2201-50	22pF CH	C554	168-6822-55	6800pF K
C238	163-1063-35	16V 10uF	C362	168-2222-55	2200pF K	C555	168-6822-55	6800pF K
C245	168-2222-55	2200pF K	C363	166-2201-50	22pF CH	C556	168-6822-55	6800pF K
C257	168-5622-55	5600pF K	C364	166-2201-50	22pF CH	C557	168-6822-55	6800pF K
C258	168-5622-55	5600pF K	C365	168-2222-55	2200pF K	C558	168-6822-55	6800pF K
C259	168-2222-55	2200pF K	C366	166-2201-50	22pF CH	C559	168-6822-55	6800pF K
C301	163-4753-65	50V 4.7uF	C367	168-2222-55	2200pF K	C560	168-6822-55	6800pF K
C302	168-1042-78	16V 0.1uF	C368	166-2201-50	22pF CH	C561	168-6822-55	6800pF K
C303	166-1811-50	180pF CH	C369	166-2201-50	22pF CH	C562	168-6822-55	6800pF K
C304	168-1042-78	16V 0.1uF	C370	043-0570-90	16V 2.2uF K	C563	043-0574-90	25V 1.0uF
C305	168-1042-78	16V 0.1uF	C371	043-0570-90	16V 2.2uF K	C564	168-1042-78	16V 0.1uF
C306	166-8097-50	8pF C CH	C372	043-0570-90	16V 2.2uF K	C565	163-1063-35	16V 10uF
C307	166-8097-50	8pF C CH	C373	043-0570-90	16V 2.2uF K	C566	168-2232-55	0.022uF K
C308	168-1022-55	1000pF K	C401	168-1042-78	16V 0.1uF	C567	042-4000-90	16V 470uF
C309	163-4753-65	50V 4.7uF	C402	168-1042-78	16V 0.1uF	C568	168-1522-55	1500pF K
C310	168-1042-78	16V 0.1uF	C408	166-1801-50	18pF CH	C569	166-2201-50	22pF CH
C311	163-4753-65	50V 4.7uF	C409	168-1042-78	16V 0.1uF	C570	178-2242-38	0.22uF B
C312	168-1042-78	16V 0.1uF	C410	163-4763-15	6.3V 47uF	C571	168-1542-58	0.15uF K
C313	168-1022-55	1000pF K	C411	168-1042-78	16V 0.1uF	C572	168-1542-58	0.15uF K
C314	168-1022-55	1000pF K	C412	168-1032-55	0.01uF K	C573	168-1542-58	0.15uF K
C315	166-1011-50	100pF CH	C414	168-2242-58	0.22uF B	C574	168-1542-58	0.15uF K
C316	168-1042-78	16V 0.1uF	C415	168-2242-58	0.22uF B	C576	168-1022-55	1000pF K
C317	168-5622-55	5600pF K	C416	168-2242-58	0.22uF B	C9001	042-1736-90	16V 470uF M (PP-3090H-A)
C318	168-5622-55	5600pF K	C417	168-2242-58	0.22uF B	CCT402	050-0140-54	1/32W 1k ohm x4J
C319	166-1011-50	100pF CH	C418	168-2242-58	0.22uF B	CCT403	050-0145-52	1/16W 1k ohm x4
C320	166-1011-50	100pF CH	C419	168-1022-55	1000pF K	CCT404	050-0145-52	1/16W 1k ohm x4
C322	168-1022-55	1000pF K	C501	168-1042-78	16V 0.1uF	D104	001-0580-90	1SS352
C323	168-1022-55	1000pF K	C502	168-1042-78	16V 0.1uF	D106	001-0529-48	MA8091-H
C324	163-2273-05	4V 220uF	C503	168-1042-78	16V 0.1uF	D107	001-0580-90	1SS352 (PN-3090L-A) (PN-3090L-B)
C325	168-2222-55	2200pF K	C504	168-1042-78	16V 0.1uF	D204	001-4305-39	UDZSTE-17 36B
C326	166-4711-50	470pF CH	C506	166-5611-50	560pF CH	D206	001-0580-90	1SS352
C327	163-2263-35	16V 22uF	C507	166-5611-50	560pF CH	D207	001-0580-90	1SS352
C328	163-4763-15	6.3V 47uF	C509	166-5611-50	560pF CH	D210	001-4313-53	HZU9B1L TRF-E
			C510	166-5611-50	560pF CH	D215	001-9210-50	AVR- M1608C270MTAAD
			C511	166-2201-50	22pF CH	D216	001-9210-50	AVR- M1608C270MTAAD
			C512	166-2201-50	22pF CH			
			C513	166-2201-50	22pF CH			
			C514	166-2201-50	22pF CH			
			C515	168-1052-78	16V 1uF			
			C516	163-1073-35	16V 100uF			
			C518	166-5611-50	560pF CH			
			C519	166-5611-50	560pF CH			

PN-3090L
PP-3090H/N

REF No.	PART No.	DESCRIPTION	REF No.	PART No.	DESCRIPTION	REF No.	PART No.	DESCRIPTION
D217	001-9210-50	AVR-M1608C270MTAAD	L402	010-3406-54	2.2uH J	R214	119-4721-15	1/10W 4.7k ohm
D218	001-9210-50	AVR-M1608C270MTAAD	L501	010-3104-54	600 ohm/100MHz	R215	119-4721-15	1/10W 4.7k ohm
D219	001-9210-50	AVR-M1608C270MTAAD	L502	010-3414-92	2.2UH	R216	119-1021-15	1/10W 1k ohm
D220	001-9210-50	AVR-M1608C270MTAAD	L503	010-8050-00	CHOKE	R219	119-5621-15	1/10W 5.6k ohm
D221	001-9210-50	AVR-M1608C270MTAAD	P402	076-3011-76	26P	R220	119-5621-15	1/10W 5.6k ohm
D401	001-2630-90	1SS420-TPL3,F	P403	076-6000-59	PLUG(9P)	R223	119-5631-15	1/10W 56k ohm
D501	001-2640-90	D1FJ4	Q105	198-3018-00	2SK3018	R224	119-5631-15	1/10W 56k ohm
D502	001-0529-48	MA8091-H	Q106	198-3018-00	2SK3018	R230	119-1031-15	1/10W 10k ohm
D504	001-0529-48	MA8091-H	Q107	192-5886-00	2SC5886	R231	119-1031-15	1/10W 10k ohm
D506	001-2015-00	RL253	Q108	125-2027-90	DTC143EU (PN-3090L-A) (PN-3090L-B)	R234	119-5631-15	1/10W 56k ohm
D507	001-0580-90	1SS352	Q109	190-2060-00	2SA2060 (PN-3090L-A) (PN-3090L-B)	R235	119-1031-15	1/10W 10k ohm
D510	001-0529-48	MA8091-H	Q201	192-4081-00	2SC4081	R236	119-2231-15	1/10W 22k ohm
D511	001-4320-50	EDZC6.8B (PN-3090L-A) (PN-3090L-B)	Q203	192-4081-00	2SC4081	R238	119-4731-15	1/10W 47k ohm
D512	001-0580-90	1SS352	Q204	192-4081-00	2SC4081	R241	119-4731-15	1/10W 47k ohm
D514	001-4320-50	EDZC6.8B (PN-3090L-A) (PN-3090L-B)	Q207	125-0021-91	DTA114EUA	R247	116-3911-15	1/4W 390 ohm
D515	001-0529-34	MA8062-L	Q208	125-2027-91	DTC114EUA	R248	116-3911-15	1/4W 390 ohm
D517	001-0529-47	MA8091-M	Q214	193-1259-50	2SD1259DS R,Q	R249	119-1041-15	1/10W 100k ohm
D536	001-2412-90	RR264M-400	Q301	125-7007-90	Si5441BDC-TI-E3	R258	119-1021-15	1/10W 1k ohm
D538	001-2412-90	RR264M-400	Q302	125-2027-91	DTC114EUA	R259	119-1021-15	1/10W 1k ohm
IC202	051-3552-90	NJU7741F15	Q407	125-2027-91	DTC114EUA	R260	119-1021-15	1/10W 1k ohm
IC203	051-3518-90	NJM2846DL3-33-TE1	Q408	198-3018-00	2SK3018	R261	119-1021-15	1/10W 1k ohm
IC301	-----	SAF7730HV/N332 (impossible to exchange) (670650-051)	Q409	125-2027-91	DTC114EUA	R301	119-1031-15	1/10W 10k ohm
IC302	051-3020-90	NJM4565V	Q410	198-3018-00	2SK3018	R302	119-1031-15	1/10W 10k ohm
IC401	051-9426-90	S-24CS16A01-T8T1G	Q411	125-2027-91	DTC114EUA	R303	119-2201-15	1/10W 22 ohm
IC403	052-3222-01	M30876MJB-A29GP	Q502	125-2027-91	DTC114EUA	R304	032-0140-80	1/10W 18k ohm F
IC405	051-5417-08	S-80927CNMC-G8X	Q503	191-1197-50	2SB1197K Q,R	R305	032-0140-80	1/10W 18k ohm F
IC502	051-3019-90	NJM2060V	Q504	125-2027-91	DTC114EUA	R306	032-0140-80	1/10W 18k ohm F
IC503	051-3551-90	NJM2878F3-33-TE1	Q505	191-1197-50	2SB1197K Q,R	R307	032-0140-80	1/10W 18k ohm F
IC504	051-3396-90	NJM2386ADL3-33-TE1	Q506	192-5886-00	2SC5886	R308	119-1031-15	1/10W 10k ohm
IC505	-----	LT3481EMSE#TRPBF (impossible to exchange) (351790-051)	Q511	192-5810-00	2SC5810 TE12L	R309	119-1011-15	1/10W 100 ohm
IC506	051-2064-00	TB2926HQ	Q512	125-2027-91	DTC114EUA	R310	119-1021-15	1/10W 1k ohm
IC507	051-3034-90	NJM4558V	Q513	191-1197-50	2SB1197K Q,R	R311	032-0140-50	1/10W 10k ohm F
IC508	051-5441-08	BD4828G-TR	Q514	192-4116-51	2SC4116 G,L	R312	119-3921-15	1/10W 3.9k ohm
J202	074-1189-88	SOCKET	Q515	191-1204-61	2SB1204 R,S,T	R313	032-0140-50	1/10W 10k ohm F
J206	074-1013-00	12P	Q516	125-2027-91	DTC114EUA	R314	119-3921-15	1/10W 3.9k ohm
J502	074-4009-20	20P	Q517	191-1197-50	2SB1197K Q,R	R315	032-0140-50	1/10W 10k ohm F
L104	010-2198-50	0.15uH (PP-3090H-A) (PP-3090N-A)	Q518	192-4081-00	2SC4081	R316	119-0000-05	1/10W 0 ohm JW
L105	010-2003-04	30uH	Q519	192-4116-00	2SC4116	R317	032-0140-50	1/10W 10k ohm F
L106	010-4011-20	2.5mH +3/-3%	Q521	192-4116-51	2SC4116 G,L	R318	119-1041-15	1/10W 100k ohm
L201	010-3104-54	600 ohm/100MHz	R109	119-0000-05	1/10W 0 ohm JW	R319	119-1041-15	1/10W 100k ohm
L202	010-3104-54	600 ohm/100MHz	R125	119-0000-05	1/10W 0 ohm JW	R320	119-1001-15	1/10W 10 ohm
L301	010-3104-54	600 ohm/100MHz	R129	166-1511-50	150pF CH (PN-3090L-A) (PN-3090L-B)	R321	119-3921-15	1/10W 3.9k ohm
L302	010-3104-54	600 ohm/100MHz	R135	119-1011-15	1/10W 100 ohm	R322	119-0000-05	1/10W 0 ohm JW
L303	010-3104-54	600 ohm/100MHz	R141	119-1011-15	1/10W 100 ohm	R323	119-1021-15	1/10W 1k ohm
L304	010-3104-54	600 ohm/100MHz	R143	119-1011-15	1/10W 100 ohm	R324	119-3921-15	1/10W 3.9k ohm
L305	010-3104-54	600 ohm/100MHz	R146	116-6891-15	1/4W 6.8 ohm	R325	119-0000-05	1/10W 0 ohm JW
L306	010-3104-54	600 ohm/100MHz	R150	119-3321-15	1/10W 3.3k ohm	R327	032-0140-50	1/10W 10k ohm F
L307	010-3104-54	600 ohm/100MHz	R154	119-3321-15	1/10W 3.3k ohm	R329	032-0140-50	1/10W 10k ohm F
L308	010-3104-54	600 ohm/100MHz	R155	119-3321-15	1/10W 3.3k ohm	R331	032-0140-50	1/10W 10k ohm F
L309	010-3104-54	600 ohm/100MHz	R161	119-0000-05	1/10W 0 ohm JW	R332	032-0140-50	1/10W 10k ohm F
L310	010-3104-54	600 ohm/100MHz	R162	119-3321-15	1/10W 3.3k ohm	R333	032-0140-50	1/10W 10k ohm F
L311	010-3104-54	600 ohm/100MHz	R170	116-1091-15	1/4W 1 ohm (PN-3090L-A) (PN-3090L-B)	R334	032-0140-50	1/10W 10k ohm F
L312	010-3104-54	600 ohm/100MHz	R173	116-1221-15	1/4W 1.2k ohm (PN-3090L-A) (PN-3090L-B)	R335	119-1031-15	1/10W 10k ohm
L313	010-3104-54	600 ohm/100MHz	R174	116-3911-15	1/4W 390 ohm	R336	119-1031-15	1/10W 10k ohm
			R176	119-1031-15	1/10W 10k ohm (PN-3090L-A) (PN-3090L-B)	R337	119-1031-15	1/10W 10k ohm
			R180	119-0000-05	1/10W 0 ohm JW	R338	119-1031-15	1/10W 10k ohm
			R210	119-3011-15	1/10W 300 ohm	R339	119-1011-15	1/10W 100 ohm
			R211	119-3011-15	1/10W 300 ohm	R340	119-1011-15	1/10W 100 ohm
			R212	119-4731-15	1/10W 47k ohm	R341	119-0000-05	1/10W 0 ohm JW
						R342	119-0000-05	1/10W 0 ohm JW
						R343	119-0000-05	1/10W 0 ohm JW
						R344	119-0000-05	1/10W 0 ohm JW
						R345	119-0000-05	1/10W 0 ohm JW
						R346	119-0000-05	1/10W 0 ohm JW
						R347	119-1031-15	1/10W 10k ohm
						R348	119-0000-05	1/10W 0 ohm JW
						R349	119-4731-15	1/10W 47k ohm
						R350	119-0000-05	1/10W 0 ohm JW
						R351	119-1021-15	1/10W 1k ohm
						R352	119-1021-15	1/10W 1k ohm
						R353	119-1021-15	1/10W 1k ohm
						R354	119-1021-15	1/10W 1k ohm
						R355	119-1001-15	1/10W 10 ohm
						R357	032-0140-15	1/10W 6.8k ohm F

REF No.	PART No.	DESCRIPTION	REF No.	PART No.	DESCRIPTION	REF No.	PART No.	DESCRIPTION
R358	032-0140-15	1/10W 6.8k ohm F	R460	119-4731-15	1/10W 47k ohm	R534	119-1031-15	1/10W 10k ohm
R360	032-0140-15	1/10W 6.8k ohm F	R463	119-4731-15	1/10W 47k ohm	R535	116-6811-15	1/4W 680 ohm
R361	032-0140-15	1/10W 6.8k ohm F	R466	119-4731-15	1/10W 47k ohm	R536	119-1031-15	1/10W 10k ohm
R362	032-0140-50	1/10W 10k ohm F	R469	119-1011-15	1/10W 100 ohm	R537	032-0140-51	1/10W 15k ohm F
R363	032-0140-50	1/10W 10k ohm F	R472	119-1011-15	1/10W 100 ohm	R544	119-4731-15	1/10W 47k ohm
R364	032-0140-50	1/10W 10k ohm F	R474	119-4731-15	1/10W 47k ohm	R547	119-4721-15	1/10W 4.7k ohm
R365	032-0140-50	1/10W 10k ohm F	R475	119-1011-15	1/10W 100 ohm	R548	119-4721-15	1/10W 4.7k ohm
R366	032-0140-50	1/10W 10k ohm F	R476	119-1011-15	1/10W 100 ohm	R549	119-3331-15	1/10W 33k ohm
R367	032-0140-50	1/10W 10k ohm F	R477	119-4721-15	1/10W 4.7k ohm	R555	116-3911-15	1/4W 390 ohm
R401	119-1021-15	1/10W 1k ohm	R478	119-4721-15	1/10W 4.7k ohm	R556	119-1521-15	1/10W 1.5k ohm
R402	119-1021-15	1/10W 1k ohm	R481	119-2231-15	1/10W 22k ohm	R557	116-1221-15	1/4W 1.2k ohm
R403	119-1021-15	1/10W 1k ohm	R484	119-4731-15	1/10W 47k ohm	R558	119-1031-15	1/10W 10k ohm
R404	119-0000-05	1/10W 0 ohm JW	R485	119-4731-15	1/10W 47k ohm	R559	116-1221-15	1/4W 1.2k ohm
R405	119-1021-15	1/10W 1k ohm	R486	119-1041-15	1/10W 100k ohm	R560	119-1031-15	1/10W 10k ohm
R406	119-1021-15	1/10W 1k ohm	R487	119-1041-15	1/10W 100k ohm	R561	116-1221-15	1/4W 1.2k ohm
R407	119-1021-15	1/10W 1k ohm	R492	119-4731-15	1/10W 47k ohm	R562	116-1221-15	1/4W 1.2k ohm
R408	119-1021-15	1/10W 1k ohm	R493	119-4721-15	1/10W 4.7k ohm	R563	119-1031-15	1/10W 10k ohm
R411	119-4721-15	1/10W 4.7k ohm	R494	119-4721-15	1/10W 4.7k ohm	R564	119-4721-15	1/10W 4.7k ohm
R412	119-4721-15	1/10W 4.7k ohm	R495	119-4731-15	1/10W 47k ohm	R565	119-1521-15	1/10W 1.5k ohm
R413	119-3311-15	1/10W 330 ohm (PN-3090L-A) (PN-3090L-B)	R496	119-4721-15	1/10W 4.7k ohm	R566	119-1031-15	1/10W 10k ohm
R414	119-3311-15	1/10W 330 ohm (PN-3090L-A) (PN-3090L-B)	R497	119-4721-15	1/10W 4.7k ohm	R567	032-0148-50	1/10W 100k ohm
R415	119-4731-15	1/10W 47k ohm	R498	119-1041-15	1/10W 100k ohm (PN-3090L-A) (PN-3090L-B)	R568	032-0140-16	1/10W 180k ohm F
R416	119-4731-15	1/10W 47k ohm	R499	119-1041-15	1/10W 100k ohm (PN-3090L-A) (PN-3090L-B)	R570	119-0000-05	1/10W 0 ohm JW (PN-3090L-A) (PN-3090L-B)
R417	119-4731-15	1/10W 47k ohm	R502	119-1031-15	1/10W 10k ohm	R571	119-0000-05	1/10W 0 ohm JW (PN-3090L-A) (PN-3090L-B)
R422	119-0000-05	1/10W 0 ohm JW	R503	119-1031-15	1/10W 10k ohm	R572	032-0208-51	1/4W 15k ohm
R423	119-1011-15	1/10W 100 ohm	R504	119-1031-15	1/10W 10k ohm	R573	119-2221-15	1/10W 2.2k ohm
R424	119-1011-15	1/10W 100 ohm	R505	119-1031-15	1/10W 10k ohm	R575	116-1531-15	1/4W 15k ohm
R432	119-1011-15	1/10W 100 ohm	R507	119-1031-15	1/10W 10k ohm	R578	119-0000-05	1/10W 0 ohm JW
R433	119-1011-15	1/10W 100 ohm	R508	119-1031-15	1/10W 10k ohm	R579	119-1031-15	1/10W 10k ohm
R434	119-1031-15	1/10W 10k ohm (PN-3090L-A) (PN-3090L-B)	R509	119-1031-15	1/10W 10k ohm	R580	119-5611-15	1/10W 560 ohm
R435	119-1031-15	1/10W 10k ohm (PN-3090L-A) (PN-3090L-B)	R510	119-1031-15	1/10W 10k ohm	R581	116-4791-15	1/4W 4.7 ohm
R437	119-4731-15	1/10W 47k ohm	R511	119-1031-15	1/10W 10k ohm	R582	116-4791-15	1/4W 4.7 ohm
R439	119-4731-15	1/10W 47k ohm	R512	119-1031-15	1/10W 10k ohm	R588	119-3341-15	1/10W 330k ohm
R440	119-4731-15	1/10W 47k ohm	R514	119-1051-15	1/10W 1M ohm	R591	119-0000-05	1/10W 0 ohm JW
R442	119-4721-15	1/10W 4.7k ohm	R515	119-1051-15	1/10W 1M ohm	R592	119-1021-15	1/10W 1k ohm
R444	119-1021-15	1/10W 1k ohm	R516	119-1051-15	1/10W 1M ohm	R593	119-1021-15	1/10W 1k ohm
R445	119-4731-15	1/10W 47k ohm	R517	119-1051-15	1/10W 1M ohm	R4001	119-1021-15	1/10W 1k ohm
R446	119-4731-15	1/10W 47k ohm	R518	119-1031-15	1/10W 10k ohm	R4004	119-1021-15	1/10W 1k ohm
R447	119-1031-15	1/10W 10k ohm	R519	119-1031-15	1/10W 10k ohm	R4005	119-1021-15	1/10W 1k ohm
R448	119-4731-15	1/10W 47k ohm	R520	119-1031-15	1/10W 10k ohm	SUP102	060-0122-91	DSP-141N-S00B
R449	119-4731-15	1/10W 47k ohm	R521	119-1031-15	1/10W 10k ohm	TC401	004-1580-10	30pF GRN
R450	119-0000-05	1/10W 0 ohm JW	R522	119-1031-15	1/10W 10k ohm	TH101	002-0229-00	PTH8L05BAIR8M1B (PN-3090L-A) (PN-3090L-B)
R452	119-4731-15	1/10W 47k ohm	R523	119-1031-15	1/10W 10k ohm	TM101	073-0762-90	TERMINAL
R453	119-1031-15	1/10W 10k ohm	R524	119-4731-15	1/10W 47k ohm	TM502	073-0762-90	TERMINAL
R454	119-4731-15	1/10W 47k ohm	R525	119-0000-05	1/10W 0 ohm JW	X301	061-3537-90	41.6MHz
R456	119-1021-15	1/10W 1k ohm	R526	119-1031-15	1/10W 10k ohm	X401	061-3567-90	8.000MHz AT-41CD2
R458	119-1021-15	1/10W 1k ohm	R527	032-0148-63	1/10W 130k ohm (D)	PWB	039-3343-00	PWB(WITHOUT COMPONENT)
R459	119-4731-15	1/10W 47k ohm	R528	032-0148-64	1/10W 390k (D)			
			R529	119-1031-15	1/10W 10k ohm			
			R530	119-1031-15	1/10W 10k ohm			
			R532	119-1031-15	1/10W 10k ohm			
			R533	119-1841-15	1/10W 180k ohm			

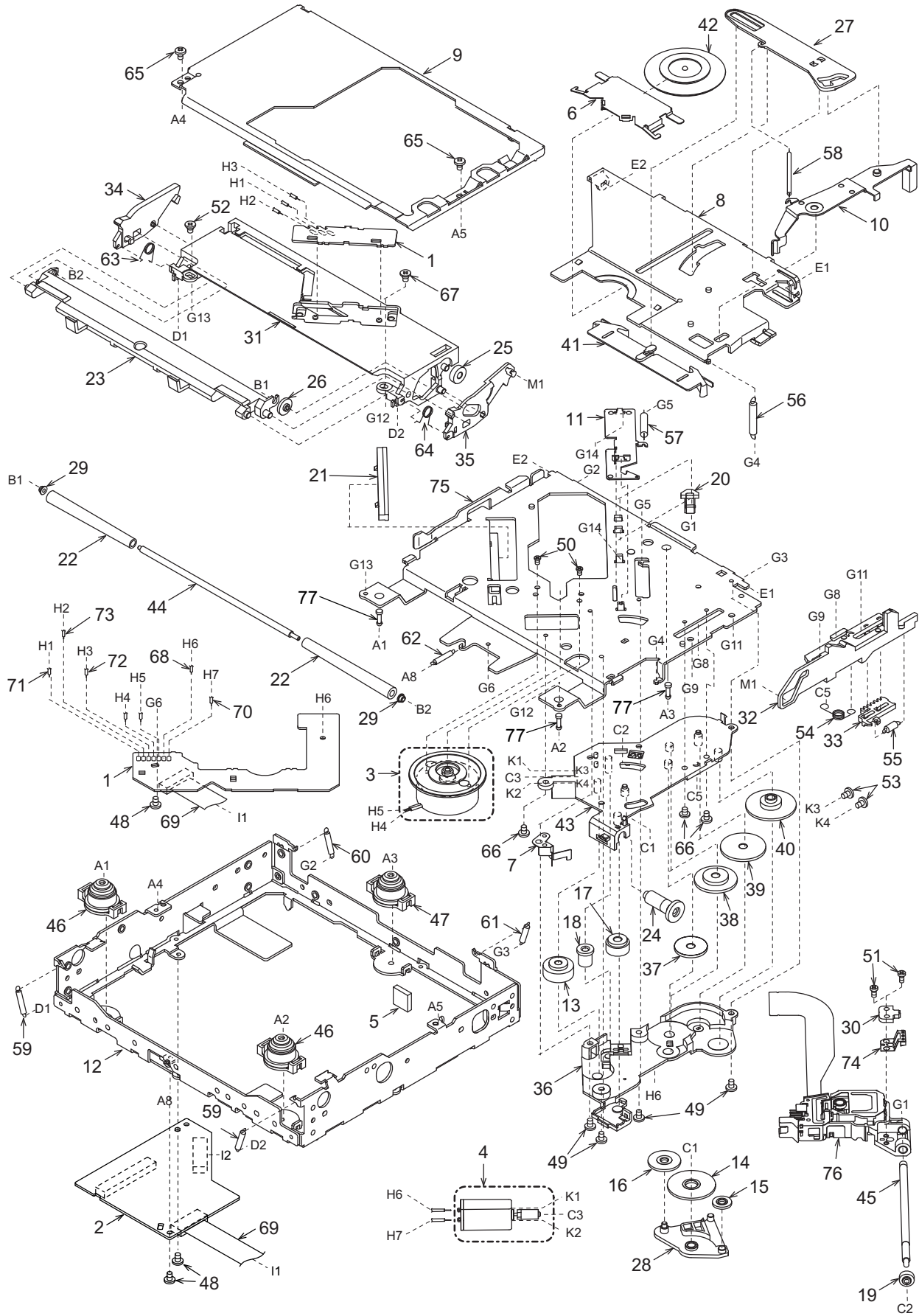
Switch PWB(B2) section : PN-3090L-A

REF No.	PART No.	DESCRIPTION	REF No.	PART No.	DESCRIPTION	REF No.	PART No.	DESCRIPTION
C601	043-0554-90	25V 10uF	D627	001-7109-90	SML-311DTT86	D669	001-9210-50	AVR-
C602	043-0554-90	25V 10uF			ORG			M1608C270MTAAD
C603	168-1042-78	16V 0.1uF	D628	001-7109-90	SML-311DTT86	IC601	051-6057-00	ML9090A-01GA
C604	043-0554-90	25V 10uF			ORG	J601	074-3033-26	SOCKET(26P)
C605	168-1042-78	16V 0.1uF	D629	001-7109-90	SML-311DTT86	J602	075-0395-00	JACK
D601	001-9210-50	AVR-			ORG	Q601	190-1162-00	2SA1162
		M1608C270MTAAD	D630	001-7109-90	SML-311DTT86	Q602	192-2712-51	2SC2712 G,L
D602	001-9210-50	AVR-			ORG	R601	032-0140-00	1/10W 56k ohm F
		M1608C270MTAAD	D631	001-7109-90	SML-311DTT86	R602	119-4731-15	1/10W 47k ohm F
D603	001-9210-50	AVR-			ORG	R604	032-0140-53	1/10W 2.2k ohm F
		M1608C270MTAAD	D632	001-7109-90	SML-311DTT86	R605	032-0140-53	1/10W 2.2k ohm F
D604	001-4320-50	EDZC6.8B			ORG	R606	116-1821-15	1/4W 1.8k ohm
D605	001-7109-90	SML-311DTT86	D633	001-7109-90	SML-311DTT86	R607	119-4731-15	1/10W 47k ohm
		ORG			ORG	R608	116-2221-15	1/4W 2.2k ohm
D606	001-7109-90	SML-311DTT86	D634	001-7109-90	SML-311DTT86	R609	116-2721-15	1/4W 2.7k ohm
		ORG			ORG	R610	116-6811-15	1/4W 680 ohm
D607	001-7109-90	SML-311DTT86	D635	001-7109-90	SML-311DTT86	R611	116-2221-15	1/4W 2.2k ohm
		ORG			ORG	R612	116-2221-15	1/4W 2.2k ohm
D610	001-7109-90	SML-311DTT86	D636	001-7109-90	SML-311DTT86	R613	116-2221-15	1/4W 2.2k ohm
		ORG			ORG	R614	116-2221-15	1/4W 2.2k ohm
D611	001-7109-90	SML-311DTT86	D637	001-7109-90	SML-311DTT86	R615	116-1021-15	1/4W 1k ohm
		ORG			ORG	R616	116-2221-15	1/4W 2.2k ohm
D612	001-7109-90	SML-311DTT86	D638	001-7109-90	SML-311DTT86	R617	116-1021-15	1/4W 1k ohm
		ORG			ORG	R618	116-2221-15	1/4W 2.2k ohm
D613	001-7109-90	SML-311DTT86	D639	001-7109-90	SML-311DTT86	R619	116-1021-15	1/4W 1k ohm
		ORG			ORG	R620	116-2221-15	1/4W 2.2k ohm
D614	001-7109-90	SML-311DTT86	D640	001-7109-90	SML-311DTT86	R621	116-1021-15	1/4W 1k ohm
		ORG			ORG	R622	116-1821-15	1/4W 1.8k ohm
D615	001-7109-90	SML-311DTT86	D641	001-7109-90	SML-311DTT86	R623	116-1021-15	1/4W 1k ohm
		ORG			ORG	R624	116-1821-15	1/4W 1.8k ohm
D616	001-7109-90	SML-311DTT86	D642	001-7109-90	SML-311DTT86	R625	116-1021-15	1/4W 1k ohm
		ORG			ORG	R626	116-1821-15	1/4W 1.8k ohm
D617	001-7109-90	SML-311DTT86	D643	001-7109-90	SML-311DTT86	R627	116-2221-15	1/4W 2.2k ohm
		ORG			ORG	R628	116-2721-15	1/4W 2.7k ohm
D618	001-7109-90	SML-311DTT86	D644	001-7109-90	SML-311DTT86	R629	116-2221-15	1/4W 2.2k ohm
		ORG			ORG	R630	116-2221-15	1/4W 2.2k ohm
D619	001-7109-90	SML-311DTT86	D645	001-7109-90	SML-311DTT86	R631	116-2221-15	1/4W 2.2k ohm
		ORG			ORG	R632	116-2221-15	1/4W 2.2k ohm
D620	001-7109-90	SML-311DTT86	D662	001-9210-50	AVR-	R633	116-2221-15	1/4W 2.2k ohm
		ORG			M1608C270MTAAD	R634	116-2221-15	1/4W 2.2k ohm
D621	001-7109-90	SML-311DTT86	D663	001-9210-50	AVR-	R635	119-0000-05	1/10W 0 ohm JW
		ORG			M1608C270MTAAD	S601	016-7004-00	ROTARY SWITCH
D622	001-7109-90	SML-311DTT86	D664	001-9210-50	AVR-	S602	013-6201-53	TACT-SW
		ORG			M1608C270MTAAD			SKPMAPE010
D623	001-7109-90	SML-311DTT86	D665	001-9210-50	AVR-	S603	013-6202-52	SKPMBJE010
		ORG			M1608C270MTAAD	S604	013-6202-52	SKPMBJE010
D624	001-7109-90	SML-311DTT86	D666	001-9210-50	AVR-	S605	013-6202-52	SKPMBJE010
		ORG			M1608C270MTAAD	S606	013-6202-52	SKPMBJE010
D625	001-7109-90	SML-311DTT86	D667	001-9210-50	AVR-	TM601	073-0778-90	TERMINAL
		ORG			M1608C270MTAAD	PWB	039-3349-01	PWB(WITHOUT COMPONENT)
D626	001-7109-90	SML-311DTT86	D668	001-9210-50	AVR-			
		ORG			M1608C270MTAAD			

Switch PWB(B2) section : PN-3090L-B / PP-3090H-A / PP-3090N-A

REF No.	PART No.	DESCRIPTION	REF No.	PART No.	DESCRIPTION	REF No.	PART No.	DESCRIPTION
C601	043-0554-90	25V 10uF	D627	001-7093-91	RFY1112H-16-TR YEL	D669	001-9210-50	AVR- M1608C270MTAAD
C602	043-0554-90	25V 10uF	D628	001-7093-91	RFY1112H-16-TR YEL	IC601	051-6057-00	ML9090A-01GA
C603	168-1042-78	16V 0.1uF	D629	001-7093-91	RFY1112H-16-TR YEL	J601	074-3033-26	SOCKET(26P)
C604	043-0554-90	25V 10uF	D630	001-7093-91	RFY1112H-16-TR YEL	J602	075-0395-00	JACK
C605	168-1042-78	16V 0.1uF	D631	001-7093-91	RFY1112H-16-TR YEL	Q601	190-1162-00	2SA1162
D601	001-9210-50	AVR- M1608C270MTAAD	D632	001-7093-91	RFY1112H-16-TR YEL	Q602	192-2712-51	2SC2712 G,L
D602	001-9210-50	AVR- M1608C270MTAAD	D633	001-7093-91	RFY1112H-16-TR YEL	R601	032-0140-00	1/10W 56k ohm F
D603	001-9210-50	AVR- M1608C270MTAAD	D634	001-7093-91	RFY1112H-16-TR YEL	R602	119-4731-15	1/10W 47k ohm
D604	001-4320-50	EDZC6.8B	D635	001-7093-91	RFY1112H-16-TR YEL	R604	032-0140-53	1/10W 2.2k ohm F
D605	001-7093-91	RFY1112H-16-TR YEL	D636	001-7093-91	RFY1112H-16-TR YEL	R605	032-0140-53	1/10W 2.2k ohm F
D606	001-7093-91	RFY1112H-16-TR YEL	D637	001-7093-91	RFY1112H-16-TR YEL	R606	116-3321-15	1/4W 3.3k ohm
D607	001-7093-91	RFY1112H-16-TR YEL	D638	001-7093-91	RFY1112H-16-TR YEL	R607	119-4731-15	1/10W 47k ohm
D610	001-7093-91	RFY1112H-16-TR YEL	D639	001-7093-91	RFY1112H-16-TR YEL	R608	116-3921-15	1/4W 3.9k ohm
D611	001-7093-91	RFY1112H-16-TR YEL	D640	001-7093-91	RFY1112H-16-TR YEL	R609	116-4721-15	1/4W 4.7k ohm
D612	001-7093-91	RFY1112H-16-TR YEL	D641	001-7093-91	RFY1112H-16-TR YEL	R610	116-4711-15	1/4W 470 ohm
D613	001-7093-91	RFY1112H-16-TR YEL	D642	001-7093-91	RFY1112H-16-TR YEL	R611	116-3921-15	1/4W 3.9k ohm
D614	001-7093-91	RFY1112H-16-TR YEL	D643	001-7093-91	RFY1112H-16-TR YEL	R612	116-4721-15	1/4W 4.7k ohm
D615	001-7093-91	RFY1112H-16-TR YEL	D644	001-7093-91	RFY1112H-16-TR YEL	R613	116-4721-15	1/4W 4.7k ohm
D616	001-7093-91	RFY1112H-16-TR YEL	D645	001-7093-91	RFY1112H-16-TR YEL	R614	116-4721-15	1/4W 4.7k ohm
D617	001-7093-91	RFY1112H-16-TR YEL	D662	001-9210-50	AVR- M1608C270MTAAD	R615	116-1521-15	1/4W 1.5k ohm
D618	001-7093-91	RFY1112H-16-TR YEL	D663	001-9210-50	AVR- M1608C270MTAAD	R616	116-4721-15	1/4W 4.7k ohm
D619	001-7093-91	RFY1112H-16-TR YEL	D664	001-9210-50	AVR- M1608C270MTAAD	R617	116-1521-15	1/4W 1.5k ohm
D620	001-7093-91	RFY1112H-16-TR YEL	D665	001-9210-50	AVR- M1608C270MTAAD	R618	116-4721-15	1/4W 4.7k ohm
D621	001-7093-91	RFY1112H-16-TR YEL	D666	001-9210-50	AVR- M1608C270MTAAD	R619	116-1521-15	1/4W 1.5k ohm
D622	001-7093-91	RFY1112H-16-TR YEL	D667	001-9210-50	AVR- M1608C270MTAAD	R620	116-4721-15	1/4W 4.7k ohm
D623	001-7093-91	RFY1112H-16-TR YEL	D668	001-9210-50	AVR- M1608C270MTAAD	R621	116-1521-15	1/4W 1.5k ohm
D624	001-7093-91	RFY1112H-16-TR YEL				R622	116-3921-15	1/4W 3.9k ohm
D625	001-7093-91	RFY1112H-16-TR YEL				R623	116-1521-15	1/4W 1.5k ohm
D626	001-7093-91	RFY1112H-16-TR YEL				R624	116-3921-15	1/4W 3.9k ohm
						R625	116-1521-15	1/4W 1.5k ohm
						R626	116-3321-15	1/4W 3.3k ohm
						R627	116-3921-15	1/4W 3.9k ohm
						R628	116-4721-15	1/4W 4.7k ohm
						R629	116-3921-15	1/4W 3.9k ohm
						R630	116-4721-15	1/4W 4.7k ohm
						R631	116-4721-15	1/4W 4.7k ohm
						R632	116-4721-15	1/4W 4.7k ohm
						R633	116-4721-15	1/4W 4.7k ohm
						R634	116-4721-15	1/4W 4.7k ohm
						R635	119-0000-05	1/10W 0 ohm JW
						S601	016-7004-00	ROTARY SWITCH
						S602	013-6201-53	TACT-SW
								SKPMAPE010
						S603	013-6202-52	SKPMBJE010
						S604	013-6202-52	SKPMBJE010
						S605	013-6202-52	SKPMBJE010
						S606	013-6202-52	SKPMBJE010
						TM601	073-0778-90	TERMINAL
						PWB	039-3344-00	PWB(WITHOUT COMPONENT)

EXPLODED VIEW/PARTS LIST



NO.	PART NO.	DESCRIPTION	Q'TY	NO.	PART NO.	DESCRIPTION	Q'TY
1	-----	SENSOR PWB	1	40	621-1751-20	POWER GEAR D	1
2	-----	CD PWB	1	41	621-1752-20	DISC STOPPER	1
3	SMA-182-100	SPINDLE MOTOR-ASSY	1	42	621-1753-20	CLAMPER RING	1
4	SMA-183-100	SLED MOTOR-ASSY	1	43	621-1754-20	GEAR BASE	1
5	345-5476-20	CUSHION RUBBER	1	44	622-1571-21	ROLLER SHAFT	1
6	620-1023-23	CLAMPER PLATE	1	45	624-0018-01	LEAD SCREW	1
7	620-1026-21	SPRING PLATE	1	46	629-0086-20	DAMPER F	2
8	620-1596-23	CLAMPER LINK	1	47	629-0087-20	DAMPER R	1
9	620-1862-20	UPPER CHASSIS	1	48	716-1507-01	SCREW(M2x3)	3
10	620-1752-20	SENSOR ARM	1	49	716-1670-01	SCREW(M2x4)	4
11	620-1753-20	ID-LOCK PLATE	1	50	716-1733-01	SCREW(M1.7x2.3)	2
12	620-1868-20	LOWER CHASSIS	1	51	716-3469-01	SCREW(1.7x4)	2
13	621-0608-21	SECOND GEAR	1	52	716-3473-01	SCREW(M2x3)	1
14	621-0609-20	BASE GEAR	1	53	716-3551-00	SCREW(M1.4x2.5)	2
15	621-0610-20	IDLE GEAR A	1	54	750-7865-20	SHIFT SPRING	1
16	621-0611-20	IDLE GEAR B	1	55	750-7866-20	RACK SPRING	1
17	621-0612-21	ROLLER GEAR A	1	56	750-7867-20	CLAMPER SPRING	1
18	621-0620-20	THREAD GEAR A	1	57	750-7868-20	ID-LOCK SPRING	1
19	621-0621-20	THREAD GEAR B	1	58	750-7869-20	SENSOR SPRING	1
20	621-0623-23	LS-HOLDER	1	59	750-7870-20	DR-SPRING F	2
21	621-0624-22	GUIDE RAIL	1	60	750-7871-20	DR-SPRING RA	1
22	621-0711-21	LOADING ROLLER	2	61	750-7872-20	DR-SPRING RB	1
23	621-0718-21	ROLLER GUIDE	1	62	750-7873-20	DR-SPRING C	1
24	621-0719-20	ROLLER GEAR B	1	63	750-6797-20	ROLLER SPRING L	1
25	621-0720-20	ROLLER GEAR C	1	64	750-6798-20	ROLLER SPRING R	1
26	621-0721-20	ROLLER GEAR D	1	65	714-2003-8B	SCREW(M2x3)	2
27	621-0728-20	STOPPER LINK	1	66	780-2025-00	SCREW(M2x2.5)	3
28	621-1719-20	IDLE CASE	1	67	781-1730-00	SCREW(M1.7x3)	1
29	621-1726-20	ROLLER SLEEVE	2	68	803-4906-60	VINYL-COAT-WIRE(ORG)	1
30	621-1729-20	SH-BASE	1	69	816-2542-01	FLAT WIRE	1
31	621-1742-20	UPPER GUIDE	1	70	816-2590-00	VINYL-COAT-WIRE(GRN)	1
32	621-1743-20	SHIFT LEVER	1	71	816-2591-00	VINYL-COAT-WIRE(YEL)	1
33	621-1744-20	RACK	1	72	816-2592-00	VINYL-COAT-WIRE(BLUE)	1
34	621-1745-20	LOCK ARM L	1	73	816-2593-00	VINYL-COAT-WIRE(PUR)	1
35	621-1746-20	LOCK ARM R	1	74	966-1722-20	SH-RACK-ASSY	1
36	621-1747-20	GEAR COVER	1	75	620-1866-20	DRIVE-PLATE	1
37	621-1748-20	POWER GEAR A	1	76	969-0071-30	PICKUP-ASSY	1
38	621-1749-20	POWER GEAR B	1	77	622-1570-21	DAMPER PIN	3
39	621-1750-20	POWER GEAR C	1				

ELECTRICAL PARTS LIST

CD PWB(BM1) section

REF No.	PART No.	DESCRIPTION	REF No.	PART No.	DESCRIPTION	REF No.	PART No.	DESCRIPTION
C2	178-1052-78	1uF	C60	168-1042-78	16V 0.1uF	R19	119-0000-05	1/10W 0 ohm JW
C3	042-0627-90	16V 100uF	C63	168-1042-78	16V 0.1uF	R20	119-0000-05	1/10 0ohm JW
C4	168-1042-78	16V 0.1uF	C68	168-1042-78	16V 0.1uF	R22	119-2231-15	1/10W 22k ohm
C6	178-1052-78	1uF	C69	042-1710-90	6.3V 100uF	R23	119-0000-05	1/10 0ohm JW
C7	042-0560-85	6.3V 100uF	C74	042-1709-90	6.3V 47uF	R25	119-1041-15	1/10W 100k ohm
C8	178-1052-78	1uF	C75	168-1042-78	16V 0.1uF	R26	119-0000-05	1/10W 0 ohm JW
C9	166-4711-50	470pF CH	C77	168-1042-78	16V 0.1uF	R27	119-4731-15	1/10W 47k ohm
C10	168-4732-78	0.047uF K	C78	168-1022-55	1000pF K	R29	119-5621-15	1/10W 5.6k ohm
C11	166-4711-50	470pF CH	C79	168-1022-55	1000pF K	R30	119-2231-15	1/10W 22k ohm
C12	168-4732-78	0.047uF K	C80	042-0423-20	10V-10uF	R31	119-4731-15	1/10W 47k ohm
C14	168-1042-78	16V 0.1uF	D1	001-1305-90	DAN217UT106	R32	119-3341-15	1/10W 330k ohm
C15	166-1007-50	10pF CH	IC1	051-6733-30	TC94A73MFG-201	R33	119-1041-15	1/10W 100k ohm
C16	166-1007-50	10pF CH	IC2	051-6079-80	BA5830FM-E2	R34	119-1041-15	1/10W 100k ohm
C17	168-1042-78	16V 0.1uF	IC3	051-3395-90	NJU7780U1-15-TES	R35	119-1041-15	1/10W 100k ohm
C18	168-2222-55	2200pF K	J1	074-1138-65	SOCKET (15P)	R36	119-1011-15	1/10W 100 ohm
C19	168-1042-78	16V 0.1uF	J2	074-1138-60	SOCKET (10P)	R38	119-1041-15	1/10W 100k ohm
C20	168-1042-78	16V 0.1uF	J3	074-1205-88	SOCKET (38P)	R39	119-0000-05	1/10W 0 ohm JW
C22	168-6822-55	6800pF K	L1	119-0000-05	1/10 0ohm JW	R41	119-4721-15	1/10W 4.7k ohm
C24	168-3332-78	0.033uF K	L2	119-0000-05	1/10 0ohm JW	R42	119-4721-15	1/10W 4.7k ohm
C25	168-3332-78	0.033uF K	L3	119-0000-05	1/10 0ohm JW	R45	119-1031-15	1/10W 1k ohm
C26	043-0570-90	16V 2.2uF K	L4	010-3104-50	30ohm/100MHZ	R46	119-4731-15	1/10W 47k ohm
C28	168-1042-78	16V 0.1uF	L5	010-3406-26	0.01uH	R47	119-4731-15	1/10W 47k ohm
C29	168-1042-78	16V 0.1uF	Q1	131-1188-50	2SB1188 Q,R	R48	119-1031-15	1/10W 10k ohm
C30	168-1042-78	16V 0.1uF	Q2	198-3018-00	2SK3018	R49	119-1031-15	1/10W 10k ohm
C31	168-1042-78	16V 0.1uF	Q3	198-3018-00	2SK3018	R50	119-2211-15	1/10W 220 ohm
C33	168-1042-78	16V 0.1uF	Q4	192-4155-51	2SC4155A S,T	R51	119-1031-15	1/10W 10k ohm
C34	168-1042-78	16V 0.1uF	Q5	198-3018-00	2SK3018	R52	119-1031-15	1/10W 10k ohm
C35	168-5622-55	5600pF K	Q6	192-4155-51	2SC4155A S,T	R53	119-2211-15	1/10W 220 ohm
C36	168-1042-78	16V 0.1uF	Q7	198-3018-00	2SK3018	R54	119-3331-15	1/10W 33k ohm
C37	168-5622-55	5600pF K	Q8	198-3018-00	2SK3018	R55	119-4721-15	1/10W 4.7k ohm
C38	166-6801-50	68pF	R1	119-2211-15	1/10W 220 ohm	R56	119-3331-15	1/10W 33k ohm
C39	168-1042-78	16V 0.1uF	R2	117-6811-15	1/8W 680 ohm	R57	119-4721-15	1/10W 4.7k ohm
C40	168-1532-55	0.015uF K	R3	117-0000-05	1/8W 0 ohm JW	R58	119-3331-15	1/10W 33k ohm
C41	168-1042-78	16V 0.1uF	R4	119-1001-15	1/10W 10 ohm	R59	119-4721-15	1/10W 4.7k ohm
C42	168-1032-55	0.01uF K	R5	119-2731-15	1/10W 27k ohm	R60	119-3331-15	1/10W 33k ohm
C43	168-1042-78	16V 0.1uF	R6	119-2731-15	1/10W 27k ohm	R61	119-4721-15	1/10W 4.7k ohm
C44	168-1042-78	16V 0.1uF	R7	119-2221-15	1/10W 2.2k ohm	R62	119-3331-15	1/10W 33k ohm
C46	168-1522-55	1500pF K	R8	119-2731-15	1/10W 27k ohm	R63	119-4721-15	1/10W 4.7k ohm
C47	168-3322-55	3300pF K	R9	119-2731-15	1/10W 27k ohm	R64	119-1051-15	1/10W 1M ohm
C48	168-1032-55	0.01uF K	R10	119-1051-15	1/10W 1M ohm	R65	119-4701-15	1/10W 47 ohm
C49	168-1042-78	16V 0.1uF	R11	119-2211-15	1/10W 220 ohm	R66	119-1051-15	1/10W 1M ohm
C54	168-1532-55	0.015uF K	R13	119-8231-15	1/10W 82k ohm	R67	119-0000-05	1/10W 0 ohm JW
C55	168-1042-78	16V 0.1uF	R14	119-1531-15	1/10W 15k ohm	TM1	073-0768-90	TERMINAL
C56	168-1042-78	16V 0.1uF	R15	119-8231-15	1/10W 82k ohm	X1	061-3534-90	16.92MHz
C58	166-6097-50	6pF CH	R16	119-4731-15	1/10W 47k ohm	PWB	039-3205-01	PWB(WITHOUT COMPONENTS)
C59	166-4701-50	47pF CH	R17	119-0000-05	1/10 0ohm JW			

SENSOR PWB(BM2) section

REF No.	PART No.	DESCRIPTION	REF No.	PART No.	DESCRIPTION	REF No.	PART No.	DESCRIPTION
D1	001-7058-90	AN1105W-RR	Q1	060-4015-91	PS1192HB-32-TR	S2	013-7413-50	LIMIT
D2	001-7058-90	AN1105W-RR	Q2	060-4015-91	PS1192HB-32-TR	PWB	039-1944-21	PWB(WITHOUT COMPONENTS)
J1	074-1138-60	10P	S1	013-7414-50	CHUCKING			

BLOCK DIAGRAM

