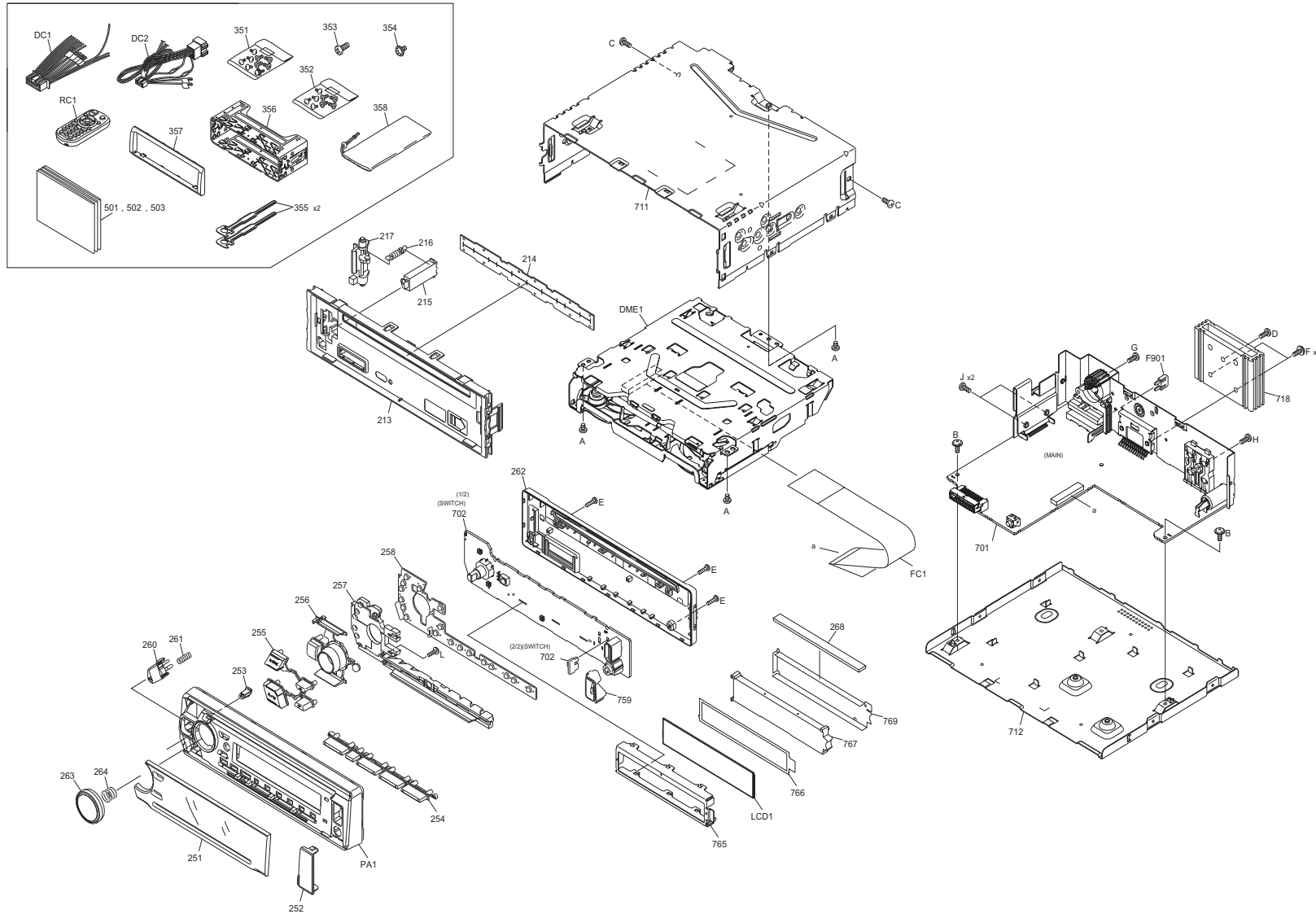


EXPLODED VIEW (UNIT)

Block No.M1MM



Parts with the exploded numbers larger than 700 are not supplied.

created date:2016-09-29

MODEL	MARK	MODEL	MARK	MODEL	MARK	MODEL	MARK
KDC-110U	A1	KDC-110U	H1	KDC-110U	M1	KDC-152UM	M3
KDC-210UI	E1	KDC-210UI	M2	KDC-268U	K1		

Safe	Symbol No.	Parts No.	Parts Name	Description	QTY	Local
------	------------	-----------	------------	-------------	-----	-------

EXPLODED VIEW (UNIT) <M1MM>

△	DC1	E3A-0324-00	DC CORD		1	A1,H1,M1,M2,K1
△	DC2	E3A-0320-00	DC CORD		1	M3,E1
	DME1	XJJ-0370-00	CD MECHANISM ASSY		1	A1,H1,M1,M2,K1
	DME1	XJJ-0390-00	CD MECHANISM ASSY		1	M3,E1
△	F901	FZB10BT-100	BLADE FUSE		1	A1,H1,M3,E1,M2,K1
	FC1	WJT0335-001A-E	E-CARD WIRE		1	
	LCD1	B3H-0033-00	LCD		1	
	PA1	A6D-0081-13	PANEL		1	A1,H1,M1,M3,E1
	PA1	A6D-0081-14	PANEL		1	M2
	PA1	A6D-0081-01	PANEL		1	K1
	RC1	A7A-0019-00	REMOTE CTL(IR)		1	A1,H1,M1,M2,K1
	A	QYSDST2604ZA	TAP SCREW	M2.6 x 4mm	3	
	B	LV41200-004A	SPECIAL SCREW		2	
	C	QYSDST2606ZA	TAP SCREW	M2.6 x 6mm	2	
	D	QYSDST2610ZA	TAP SCREW	M2.6 x 10mm	1	
	E	QYSDSF2008ZA	TAP SCREW	M2 x 8mm	3	
	F	GE40377-005A	SPECIAL SCREW		2	
	G	QYSPSG3008ZA	TAP SCREW	M3 x 8mm	1	
	H	QYSDSF2608ZA	TAP SCREW	M2.6 x 8mm	1	
	J	QYSDST2608ZA	TAP SCREW	M2.6 x 8mm	2	
	L	QYSPSF2006ZA	TAP SCREW	M2 x 6mm	1	
	213	A2C-0044-00	SUB PANEL		1	
	214	F1K-0050-00	BLIND PLATE		1	
	215	D1A-0023-00	LEVER		1	
	216	G0A-0027-00	EXTEN.SPRING		1	
	217	D1A-0022-00	LEVER		1	
	251	B1A-0057-0M	FRONT GLASS		1	A1,H1,M1
	251	B1A-0057-0R	FRONT GLASS		1	M3
	251	B1A-0062-01	FRONT GLASS		1	E1
	251	B1A-0057-0P	FRONT GLASS		1	M2
	251	B1A-0062-03	FRONT GLASS		1	K1
	252	F0G-0158-00	COVER		1	
	253	K2F-0051-00	PUSH KNOB		1	
	254	K2F-0050-00	PUSH KNOB		1	
	255	K2F-0049-00	PUSH KNOB		1	
	256	B1B-0079-00	LENS		1	A1,H1,M1,M3,M2
	256	B1B-0079-01	LENS		1	E1,K1
	257	B1K-0059-00	LIGHTING BOARD		1	
	258	E2K-0043-00	CONDUCT RUBBER		1	
	260	K2K-0214-00	KNOB		1	
	261	GE30999-013A	COMP.SPRING		1	
	262	A4G-0056-00	REAR COVER		1	
	263	K2K-0101-00	KNOB		1	A1,H1,M1,K1
	263	K2K-0215-02	KNOB BASE		1	M3
	263	K2K-0165-00	KNOB BASE		1	E1
	263	K2K-0215-01	KNOB BASE		1	M2
	264	GE40127-005A	KNOB SPRING		1	
	268	E2K-0029-00	CONDUCT RUBBER		1	
	351	GE40531-001A	SCREW SET		1	A1,H1,M1,M2
	352	GE40536-001A	SCREW SET		1	M3
	353	QYSPSF2008ZA	TAP SCREW	M2 x 8mm	1	A1,H1,M1,M3,M2,K1
	354	QYSPSPD4008ZA	SCREW	M4 x 8mm	1	M3
	355	GE40685-001A	HOOK		2	
	356	GE20362-002A	MOUNTING SLEEVE		1	
	357	B0H-0013-00	ESCUTCHEON		1	A1,H1,M1,M3,E1,M2
	357	B0H-0014-00	ESCUTCHEON		1	K1
	358	GE40521-001A	CARRYING CASE		1	A1,H1,M1,M3,M2
	501	B5A-1333-00	INST.MANUAL		1	A1
	501	B5A-1332-00	INST.MANUAL		1	H1,M1,M3,M2
	501	B5A-1330-00	INST.MANUAL	ENG GER ITA UKR	1	E1
	501	B5A-1329-00	INST.MANUAL		1	K1
	502	B5A-1332-01	INST.MANUAL		1	M3
	502	B5A-1330-01	INST.MANUAL	FRE SPA POR DUT	1	E1
	503	B5A-1330-02	INST.MANUAL	RUS	1	E1
	701	-----	MAIN PWB ASSY	NO SERVICE PART	1	A1,H1,M1
	701	-----	MAIN PWB ASSY	NO SERVICE PART	1	M3
	701	-----	MAIN PWB ASSY	NO SERVICE PART	1	E1
	701	-----	MAIN PWB ASSY	NO SERVICE PART	1	M2
	701	-----	MAIN PWB ASSY	NO SERVICE PART	1	K1
	702	-----	SWITCH PWB ASSY	NO SERVICE PART	1	A1,H1,M1,M3,M2,K1
	702	-----	SWITCH PWB ASSY	NO SERVICE PART	1	E1
	711	-----	TOP COVER	NO SERVICE PART	1	A1,H1,M1,M2,K1
	711	-----	TOP COVER	NO SERVICE PART	1	M3,E1
	712	-----	BOTTOM PLATE	NO SERVICE PART	1	
	718	-----	HEAT SINK	NO SERVICE PART	1	
	759	-----	LIGHTING BOARD	NO SERVICE PART	1	
	765	-----	LCD CASE	NO SERVICE PART	1	
	766	-----	OPTI,DIFFUSER	NO SERVICE PART	1	
	767	-----	LIGHTING BOARD	NO SERVICE PART	1	
	769	-----	REF.SHEET	NO SERVICE PART	1	

MODEL	MARK	MODEL	MARK	MODEL	MARK	MODEL	MARK
KDC-110U	A1	KDC-110U	H1	KDC-110U	M1	KDC-152UM	M3
KDC-210UI	E1	KDC-210UI	M2	KDC-268U	K1		

Safe	Symbol No.	Parts No.	Parts Name	Description	QTY	Local
------	------------	-----------	------------	-------------	-----	-------

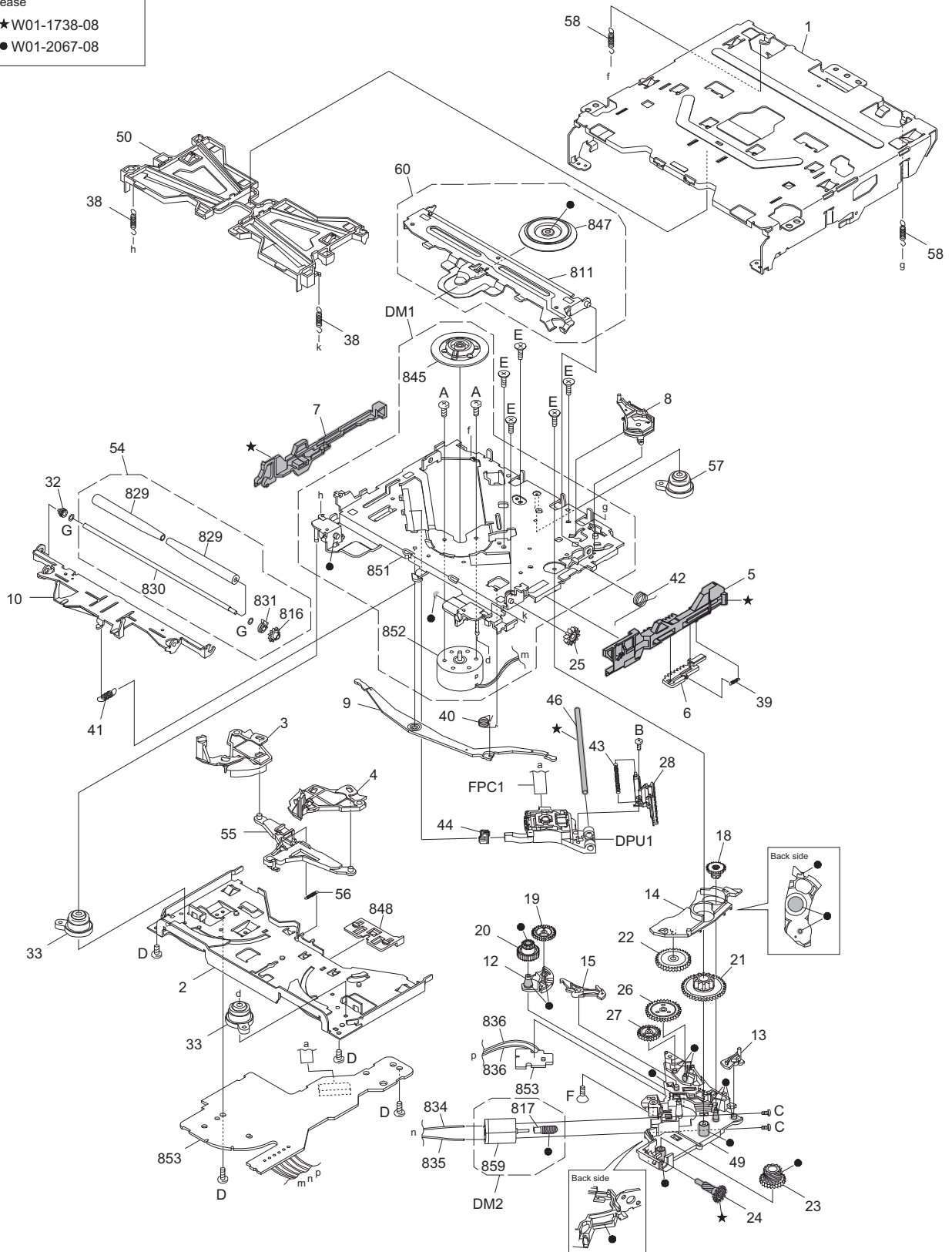
EXPLODED VIEW (CD MECHANISM: XJJ-0370-00) <MBMM>

DM1	CM-FC2-MD	MD CHASSIS ASSY			1	A1,H1,M1,M2,K1
DM2	CM-FC2-M	LOADING MOTOR ASSY			1	A1,H1,M1,M2,K1
DPU1	T2F-0002-00	CD OPT PICKUP			1	A1,H1,M1,M2,K1
FPC1	QAL1465-001	FPC			1	A1,H1,M1,M2,K1
A	LV45568-001A	MINI SCREW			2	A1,H1,M1,M2,K1
B	QYSPSGT1745ZA	TAP SCREW	M1.7 x 4.5mm		1	A1,H1,M1,M2,K1
C	QYSPSPT2025MA	SCREW	M2 x 2.5mm		2	A1,H1,M1,M2,K1
D	VKZ4539-054	MINI SCREW			5	A1,H1,M1,M2,K1
E	LV45818-001A	G.HOLDER SCREW			5	A1,H1,M1,M2,K1
F	LV45815-001A	M. SHAFT SCREW			1	A1,H1,M1,M2,K1
G	LV45816-001A	ROLLER WASHER			2	A1,H1,M1,M2,K1
1	LV11877-003A	OUTER CHASSIS			1	A1,H1,M1,M2,K1
2	LV11878-004A	LOWER CHASSIS			1	A1,H1,M1,M2,K1
3	LV3A174-002A	DISC ARM L			1	A1,H1,M1,M2,K1
4	LV3A175-001A	DISC ARM R			1	A1,H1,M1,M2,K1
5	LV23057-001A	SLIDER R			1	A1,H1,M1,M2,K1
6	LV3A178-001A	TRIGGER SLIDER			1	A1,H1,M1,M2,K1
7	LV23058-001A	SLIDER L			1	A1,H1,M1,M2,K1
8	LV3A179-002A	TRIGGER ARM			1	A1,H1,M1,M2,K1
9	LV3A173-001A	JOINT LEVER			1	A1,H1,M1,M2,K1
10	LV23055-003A	ROLLER LEVER			1	A1,H1,M1,M2,K1
12	LV3A181-002A	TRANSFER ARM			1	A1,H1,M1,M2,K1
13	LV45797-002A	SL LOCK CAM			1	A1,H1,M1,M2,K1
14	LV3A182-003A	SL LOCK ARM			1	A1,H1,M1,M2,K1
15	LV3A183-001A	PICK LOCK ARM			1	A1,H1,M1,M2,K1
18	LV3A187-002A	HELICAL GEAR 1			1	A1,H1,M1,M2,K1
19	LV3A188-001A	TRANSFER GEAR			1	A1,H1,M1,M2,K1
20	LV3A189-001A	LOAD GEAR H			1	A1,H1,M1,M2,K1
21	LV3A190-001A	DRIVE GEAR			1	A1,H1,M1,M2,K1
22	LV3A191-001A	JOINT GEAR			1	A1,H1,M1,M2,K1
23	LV3A192-001A	WORM GEAR 2			1	A1,H1,M1,M2,K1
24	LV3A193-001A	HELICAL GEAR 2			1	A1,H1,M1,M2,K1
25	LV3A194-001A	LOAD GEAR V			1	A1,H1,M1,M2,K1
26	LV3A195-001A	PICK GEAR 1			1	A1,H1,M1,M2,K1
27	LV3A196-001A	PICK GEAR 2			1	A1,H1,M1,M2,K1
28	LV3A197-001A	RACK GEAR			1	A1,H1,M1,M2,K1
32	LV45796-001A	R.RETAINER L			1	A1,H1,M1,M2,K1
33	D3K-0002-00	DAMPER			2	A1,H1,M1,M2,K1
38	LV45809-001A	FLOAT SPRING(F)			2	A1,H1,M1,M2,K1
39	LV45810-001A	TRIGGER SPRING			1	A1,H1,M1,M2,K1
40	LV45811-001A	LOAD SPRING			1	A1,H1,M1,M2,K1
41	LV45812-001A	ROLLER SPRING			1	A1,H1,M1,M2,K1
42	LV45813-002A	CLAMP SPRING			1	A1,H1,M1,M2,K1
43	LV45814-001A	PICK SPRING			1	A1,H1,M1,M2,K1
44	LV36813-201A	SUB GUIDE CAP			1	A1,H1,M1,M2,K1
46	LV44555-001A	MAIN SHAFT			1	A1,H1,M1,M2,K1
49	LV11881-002A	GEAR HOLDER			1	A1,H1,M1,M2,K1
50	LV11880-003A	DISC GUIDE			1	A1,H1,M1,M2,K1
54	CM-FC2-R	ROLLER ASSY			1	A1,H1,M1,M2,K1
55	D10-7176-03	ARM			1	A1,H1,M1,M2,K1
56	G01-4809-04	EXTEN.SPRING			1	A1,H1,M1,M2,K1
57	D3K-0003-00	DAMPER			1	A1,H1,M1,M2,K1
58	LV45835-001A	FLOAT SPRING(R)			2	A1,H1,M1,M2,K1
60	LV3A271-001A	CL BASE ASSY			1	A1,H1,M1,M2,K1
811	-----	CLAMP ARM	NO SERVICE PART		1	A1,H1,M1,M2,K1
816	-----	ROLLER GEAR	NO SERVICE PART		1	A1,H1,M1,M2,K1
817	-----	WORM GEAR 1	NO SERVICE PART		1	A1,H1,M1,M2,K1
829	-----	ROLLER	NO SERVICE PART		2	A1,H1,M1,M2,K1
830	-----	ROLLER SHAFT	NO SERVICE PART		1	A1,H1,M1,M2,K1
831	-----	R.RETAINER R	NO SERVICE PART		1	A1,H1,M1,M2,K1
834	-----	SIN TWIST WIRE	NO SERVICE PART		1	A1,H1,M1,M2,K1
835	-----	SIN TWIST WIRE	NO SERVICE PART		1	A1,H1,M1,M2,K1
836	-----	SIN TWIST WIRE	NO SERVICE PART		2	A1,H1,M1,M2,K1
845	-----	HC TURN TABLE	NO SERVICE PART		1	A1,H1,M1,M2,K1
847	-----	CLAMPER	NO SERVICE PART		1	A1,H1,M1,M2,K1
848	-----	WIRE HOLDER	NO SERVICE PART		1	A1,H1,M1,M2,K1
851	-----	MD CHASSIS ASSY	NO SERVICE PART		1	A1,H1,M1,M2,K1
852	-----	SPINDLE MOTOR	NO SERVICE PART		1	A1,H1,M1,M2,K1
853	-----	PW BOARD ASSY	NO SERVICE PART		1	A1,H1,M1,M2,K1
859	-----	MOTOR	NO SERVICE PART		1	A1,H1,M1,M2,K1

EXPLODED VIEW (CD MECHANISM: XJJ-0390-00)

Block No.MCMM

Grease
 ★W01-1738-08
 ●W01-2067-08



Parts with the exploded numbers larger than 800 are not supplied.

MODEL	MARK	MODEL	MARK	MODEL	MARK	MODEL	MARK
KDC-110U	A1	KDC-110U	H1	KDC-110U	M1	KDC-152UM	M3
KDC-210UI	E1	KDC-210UI	M2	KDC-268U	K1		

Safe	Symbol No.	Parts No.	Parts Name	Description	QTY	Local
------	------------	-----------	------------	-------------	-----	-------

EXPLODED VIEW (CD MECHANISM: XJJ-0390-00) <MCMM>

DM1	CM-FC2-MD	MD CHASSIS ASSY			1	M3,E1
DM2	CM-FC2-M	LOADING MOTOR ASSY			1	M3,E1
DPU1	T2F-0002-00	CD OPT PICKUP			1	M3,E1
FPC1	QAL1465-001	FPC			1	M3,E1
A	LV45568-001A	MINI SCREW			2	M3,E1
B	QYSPSGT1745ZA	TAP SCREW	M1.7 x 4.5mm		1	M3,E1
C	QYSPSPT2025MA	SCREW	M2 x 2.5mm		2	M3,E1
D	VKZ4539-054	MINI SCREW			4	M3,E1
E	LV45818-001A	G.HOLDER SCREW			5	M3,E1
F	LV45815-001A	M. SHAFT SCREW			1	M3,E1
G	LV45816-001A	ROLLER WASHER			2	M3,E1
1	LV11877-003A	OUTER CHASSIS			1	M3,E1
2	LV11878-004A	LOWER CHASSIS			1	M3,E1
3	LV3A174-002A	DISC ARM L			1	M3,E1
4	LV3A175-001A	DISC ARM R			1	M3,E1
5	LV23057-001A	SLIDER R			1	M3,E1
6	LV3A178-001A	TRIGGER SLIDER			1	M3,E1
7	LV23058-001A	SLIDER L			1	M3,E1
8	LV3A179-002A	TRIGGER ARM			1	M3,E1
9	LV3A173-001A	JOINT LEVER			1	M3,E1
10	LV23055-003A	ROLLER LEVER			1	M3,E1
12	LV3A181-002A	TRANSFER ARM			1	M3,E1
13	LV45797-002A	SL LOCK CAM			1	M3,E1
14	LV3A182-003A	SL LOCK ARM			1	M3,E1
15	LV3A183-001A	PICK LOCK ARM			1	M3,E1
18	LV3A187-002A	HELICAL GEAR 1			1	M3,E1
19	LV3A188-001A	TRANSFER GEAR			1	M3,E1
20	LV3A189-001A	LOAD GEAR H			1	M3,E1
21	LV3A190-001A	DRIVE GEAR			1	M3,E1
22	LV3A191-001A	JOINT GEAR			1	M3,E1
23	LV3A192-001A	WORM GEAR 2			1	M3,E1
24	LV3A193-001A	HELICAL GEAR 2			1	M3,E1
25	LV3A194-001A	LOAD GEAR V			1	M3,E1
26	LV3A195-001A	PICK GEAR 1			1	M3,E1
27	LV3A196-001A	PICK GEAR 2			1	M3,E1
28	LV3A197-001A	RACK GEAR			1	M3,E1
32	LV45796-001A	R.RETAINER L			1	M3,E1
33	D3K-0002-00	DAMPER			2	M3,E1
38	LV45809-001A	FLOAT SPRING(F)			2	M3,E1
39	LV45810-001A	TRIGGER SPRING			1	M3,E1
40	LV45811-001A	LOAD SPRING			1	M3,E1
41	LV45812-001A	ROLLER SPRING			1	M3,E1
42	LV45813-002A	CLAMP SPRING			1	M3,E1
43	LV45814-001A	PICK SPRING			1	M3,E1
44	LV36813-201A	SUB GUIDE CAP			1	M3,E1
46	D2B-0037-00	SHAFT			1	M3,E1
49	LV11881-002A	GEAR HOLDER			1	M3,E1
50	LV11880-003A	DISC GUIDE			1	M3,E1
54	CM-FC2-R	ROLLER ASSY			1	M3,E1
55	D10-7176-03	ARM			1	M3,E1
56	G01-4809-04	EXTEN.SPRING			1	M3,E1
57	D3K-0003-00	DAMPER			1	M3,E1
58	LV45835-001A	FLOAT SPRING(R)			2	M3,E1
60	LV3A271-001A	CL BASE ASSY			1	M3,E1
811	-----	CLAMP ARM	NO SERVICE PART		1	M3,E1
816	-----	ROLLER GEAR	NO SERVICE PART		1	M3,E1
817	-----	WORM GEAR 1	NO SERVICE PART		1	M3,E1
829	-----	ROLLER	NO SERVICE PART		2	M3,E1
830	-----	ROLLER SHAFT	NO SERVICE PART		1	M3,E1
831	-----	R.RETAINER R	NO SERVICE PART		1	M3,E1
834	-----	SIN TWIST WIRE	NO SERVICE PART		1	M3,E1
835	-----	SIN TWIST WIRE	NO SERVICE PART		1	M3,E1
836	-----	SIN TWIST WIRE	NO SERVICE PART		2	M3,E1
845	-----	HC TURN TABLE	NO SERVICE PART		1	M3,E1
847	-----	CLAMPER	NO SERVICE PART		1	M3,E1
848	-----	WIRE HOLDER	NO SERVICE PART		1	M3,E1
851	-----	MD CHASSIS ASSY	NO SERVICE PART		1	M3,E1
852	-----	SPINDLE MOTOR	NO SERVICE PART		1	M3,E1
853	-----	CD PROCESSOR U.	NO SERVICE PART		1	M3,E1
859	-----	MOTOR	NO SERVICE PART		1	M3,E1

MODEL	MARK	MODEL	MARK	MODEL	MARK	MODEL	MARK
KDC-110U	A1	KDC-110U	H1	KDC-110U	M1	KDC-152UM	M3
KDC-210UI	E1	KDC-210UI	M2	KDC-268U	K1		

Safe	Symbol No.	Parts No.	Parts Name	Description	QTY	Local
MAIN PWB ASSY (XJ1-177x-0x) <XJ1>						
	IC161	TDA7718C	ANALOG IC		1	
△	IC301	JCV8034	IC		1	
	IC411	MFI337S395901	MCU IC		1	E1,M2,K1
△	IC540	MN6627553APA	IC		1	
△	IC601	TEF6657HN-X	IC		1	
△	IC701	R5S726A0D216FP	IC		1	
△	IC821	W3F-0221-00	ROM IC		1	
	IC831	BU4228F-W	IC		1	
	IC841	S24C02DIK8002	ROM IC		1	
	IC851	BU1CTD3WG-W	IC		1	
	IC861	MP9942AGJ	ANALOG IC		1	
	IC891	BD2242G-G	MOS IC		1	
△	IC901	LV5685PV-H	ANALOG IC		1	
	IC941	BU33TD3WG	MOS IC		1	
	Q250	KRC410E-P	TRANSISTOR		1	
	Q260	KRC410E-P	TRANSISTOR		1	
	Q270	KRA303E-P	TRANSISTOR		1	
	Q271	LSAR523UBFS8	TRANSISTOR		1	
	Q272	KRC403E-P	TRANSISTOR		1	
	Q273	LTA024EEBFS8	TRANSISTOR		1	
	Q320	KRC410E-P	TRANSISTOR		1	A1,H1,M1,M3,M2,K1
	Q330	KRC410E-P	TRANSISTOR		1	A1,H1,M1,M3,M2,K1
	Q540	2SA2188/E/-X	TRANSISTOR		1	
	Q701	LTA014YEBFS8	DIGI TRANSISTOR		1	
	D100	RSB6.8SM-X	BP Z DIODE		1	
	D101	RSB6.8SM-X	BP Z DIODE		1	
	D270	BAW56-TP-X	SI DIODE		1	
	D271	BAW56-TP-X	SI DIODE		1	
	D273	DA2J101	DIODE		1	
	D370	BAW56-TP-X	SI DIODE		1	
	D390	SM5818PL	SCHOTTKY DIODE		1	
	D391	MBR0530-X	SB DIODE		1	
	D400	RB521SM-30	DIODE		1	
	D401	UDZV5.1B	ZENER DIODE		1	
	D601	UDZV5.6B	ZENER DIODE		1	
	D602	UDZV5.6B	ZENER DIODE		1	
	D861	DB22306	SCHOTTKY DIODE		1	
	D902	SK34A-L	SCHOTTKY DIODE		1	
	D903	SK34A-L	SCHOTTKY DIODE		1	
	D991	GN3XB	DIODE		1	
	C100	CK73GXR1H104K	C CAPACITOR	0.1uF 50V K	1	
	C101	CK73GBB1H472K	C CAPACITOR	4700pF 50V K	1	
	C102	CK73GBB1H472K	C CAPACITOR	4700pF 50V K	1	
	C103	CK73GXR1C105K	C CAPACITOR	1uF 16V K	1	
	C104	CK73GXR1C105K	C CAPACITOR	1uF 16V K	1	
	C105	CK73GXR1C105K	C CAPACITOR	1uF 16V K	1	
	C161	CK73GXR1A105K	C CAPACITOR	1uF 10V K	1	
	C162	CK73GXR1A105K	C CAPACITOR	1uF 10V K	1	
	C163	CE32BJ1V4R7M	E CAPACITOR	4.7uF 35V M	1	
	C164	CE32BJ1V4R7M	E CAPACITOR	4.7uF 35V M	1	
	C165	CE32CL1C100M	E CAPACITOR	10uF 16V M	1	
	C167	CK73GXR1A105K	C CAPACITOR	1uF 10V K	1	
	C168	CK73HXR1A105K	C CAPACITOR	1uF 10V K	1	
	C169	CK73HXR1A105K	C CAPACITOR	1uF 10V K	1	
	C170	CK73GXR1A105K	C CAPACITOR	1uF 10V K	1	
	C171	CK73GXR1A105K	C CAPACITOR	1uF 10V K	1	
	C177	CK73HXR1A105K	C CAPACITOR	1uF 10V K	1	
	C251	CK73EBB1C475K	C CAPACITOR	4.7uF 16V K	1	
	C261	CK73EBB1C475K	C CAPACITOR	4.7uF 16V K	1	
	C303	CC73GCH1H820J	C CAPACITOR	82pF 50V J	1	
	C304	CE32BY1C470M	E CAPACITOR	47uF 16V M	1	
	C305	CC73HCH1H820J	C CAPACITOR	82pF 50V J	1	
	C312	CK730AV1C105K	C CAPACITOR	1uF 16V K	1	
	C316	CK730AV1C224K	C CAPACITOR	0.22uF 16V K	1	
	C317	CK730AV1C224K	C CAPACITOR	0.22uF 16V K	1	
	C318	CK730AV1C224K	C CAPACITOR	0.22uF 16V K	1	
	C319	CK730AV1C224K	C CAPACITOR	0.22uF 16V K	1	
	C321	CK73EBB1C475K	C CAPACITOR	4.7uF 16V K	1	A1,H1,M1,M3,M2,K1
	C331	CK73EBB1C475K	C CAPACITOR	4.7uF 16V K	1	A1,H1,M1,M3,M2,K1
	C368	CK73GXR1A105K	C CAPACITOR	1uF 10V K	1	
	C369	CK73FBB0J475K	C CAPACITOR	4.7uF 6.3V K	1	
	C370	CK73GXR1H104K	C CAPACITOR	0.1uF 50V K	1	
	C390	CK73FBB1H224K	C CAPACITOR	0.22uF 50V K	1	
	C391	CK73FBB1H224K	C CAPACITOR	0.22uF 50V K	1	
	C392	CK73FBB0J106K	C CAPACITOR	10uF 6.3V K	1	
	C410	CK73HBB1A104K	C CAPACITOR	0.1uF 10V K	1	E1,M2,K1
	C540	CK73HBB1A104K	C CAPACITOR	0.1uF 10V K	1	
	C544	CK73HBB1C103K	C CAPACITOR	0.01uF 16V K	1	
	C545	CK73HBB1C103K	C CAPACITOR	0.01uF 16V K	1	
	C546	CK73HBB1E682K	C CAPACITOR	6800pF 25V K	1	
	C547	CK73HBB1E682K	C CAPACITOR	6800pF 25V K	1	
	C548	CK73FXR1C475K	C CAPACITOR	4.7uF 16V K	1	
	C549	CK73HBB1A104K	C CAPACITOR	0.1uF 10V K	1	
	C550	CK73HXR1A154K	C CAPACITOR	0.15uF 10V K	1	
	C552	CK73HBB1E682K	C CAPACITOR	6800pF 25V K	1	
	C553	CK73HBB1A104K	C CAPACITOR	0.1uF 10V K	1	
	C555	CK73HBB1E223K	C CAPACITOR	0.022uF 25V K	1	
	C556	CK73HBB1H332K	C CAPACITOR	3300pF 50V K	1	
	C557	CK73GBB1A334K	C CAPACITOR	0.33uF 10V K	1	
	C558	CK73GXR0J475K	C CAPACITOR	4.7uF 6.3V K	1	

MODEL	MARK	MODEL	MARK	MODEL	MARK	MODEL	MARK
KDC-110U	A1	KDC-110U	H1	KDC-110U	M1	KDC-152UM	M3
KDC-210UI	E1	KDC-210UI	M2	KDC-268U	K1		

Safe	Symbol No.	Parts No.	Parts Name	Description	QTY	Local
	C559	CK73HBB1A104K	C CAPACITOR	0.1uF 10V K	1	
	C560	CK73HBB1H681K	C CAPACITOR	680pF 50V K	1	
	C561	CK73FXR1C106K	C CAPACITOR	10uF 16V K	1	
	C562	CK73HBB1E153K	C CAPACITOR	0.015uF 25V K	1	
	C563	CK73HBB1A104K	C CAPACITOR	0.1uF 10V K	1	
	C564	CK73HBB1H102K	C CAPACITOR	1000pF 50V K	1	
	C565	CK73HBB1A823K	C CAPACITOR	0.082uF 10V K	1	
	C567	CK73HBB1H102K	C CAPACITOR	1000pF 50V K	1	
	C568	CK73GBB1A334K	C CAPACITOR	0.33uF 10V K	1	
	C570	CK73HBB1A104K	C CAPACITOR	0.1uF 10V K	1	
	C571	CK73HBB1A104K	C CAPACITOR	0.1uF 10V K	1	
	C572	CK73FXR0J106K	C CAPACITOR	10uF 6.3V K	1	
	C576	CK73HBB1A104K	C CAPACITOR	0.1uF 10V K	1	
	C577	CC73HCH1H100D	C CAPACITOR	10pF 50V D	1	
	C578	CC73HCH1H100D	C CAPACITOR	10pF 50V D	1	
	C579	CK73HBB1A104K	C CAPACITOR	0.1uF 10V K	1	
	C583	CK73GBB1H821K	C CAPACITOR	820pF 50V K	1	
	C584	CK73GBB1H821K	C CAPACITOR	820pF 50V K	1	
	C588	CK73GBB1H681K	C CAPACITOR	680pF 50V K	1	
	C589	CK73GBB1H681K	C CAPACITOR	680pF 50V K	1	
	C601	CK73FXR0J106K	C CAPACITOR	10uF 6.3V K	1	
	C602	CK73FXR0J106K	C CAPACITOR	10uF 6.3V K	1	
	C603	CK73GXR1H104K	C CAPACITOR	0.1uF 50V K	1	
	C604	CK73GBB1H152K	C CAPACITOR	1500pF 50V K	1	
	C605	CK73GBB1H102K	C CAPACITOR	1000pF 50V K	1	
△	C606	CC73HCH1H090D	C CAPACITOR	9pF 50V D	1	
	C607	CC73GCH1H010C	C CAPACITOR	1pF 50V C	1	
	C608	CK73GBB1H102K	C CAPACITOR	1000pF 50V K	1	
	C609	CK73GXR1H104K	C CAPACITOR	0.1uF 50V K	1	
	C610	CC73GCH1H120J	C CAPACITOR	12pF 50V J	1	
	C611	CC73HCH1H010C	C CAPACITOR	1pF 50V C	1	
	C612	CK73GBB1H103K	C CAPACITOR	0.01uF 50V K	1	
	C614	CC73HCH1H220J	C CAPACITOR	22pF 50V J	1	
	C615	CC73GCH1H330J	C CAPACITOR	33pF 50V J	1	
	C616	CK73GBB1H102K	C CAPACITOR	1000pF 50V K	1	
	C617	CK73GBB1C224K	C CAPACITOR	0.22uF 16V K	1	
	C618	CK73GXR1A105K	C CAPACITOR	1uF 10V K	1	
	C619	CK73HBB1A104K	C CAPACITOR	0.1uF 10V K	1	
	C620	CK73FXR0J106K	C CAPACITOR	10uF 6.3V K	1	
	C700	CK73GXR1H104K	C CAPACITOR	0.1uF 50V K	1	
	C701	CK73GXR1H104K	C CAPACITOR	0.1uF 50V K	1	
	C702	CK73HBB1A104K	C CAPACITOR	0.1uF 10V K	1	
	C703	CK73HBB1A104K	C CAPACITOR	0.1uF 10V K	1	
	C704	CK73HBB1A104K	C CAPACITOR	0.1uF 10V K	1	
	C705	CK73HBB1A104K	C CAPACITOR	0.1uF 10V K	1	
	C706	CK73HBB1H471K	C CAPACITOR	470pF 50V K	1	
	C707	CC73HCH1H100D	C CAPACITOR	10pF 50V D	1	
	C708	CC73HCH1H100D	C CAPACITOR	10pF 50V D	1	
	C709	CK73HBB1A104K	C CAPACITOR	0.1uF 10V K	1	
	C710	CK73HBB1A104K	C CAPACITOR	0.1uF 10V K	1	
	C711	CK73GBB1H472K	C CAPACITOR	4700pF 50V K	1	
	C712	CK73GXR1H104K	C CAPACITOR	0.1uF 50V K	1	
	C713	CK73HBB1A104K	C CAPACITOR	0.1uF 10V K	1	
	C716	CK73HBB1A104K	C CAPACITOR	0.1uF 10V K	1	
	C717	CK73HBB1A104K	C CAPACITOR	0.1uF 10V K	1	
	C718	CK73GXR1H104K	C CAPACITOR	0.1uF 50V K	1	
	C782	CK73HBB1A104K	C CAPACITOR	0.1uF 10V K	1	
	C783	CK73HBB1A104K	C CAPACITOR	0.1uF 10V K	1	
	C820	CK73HBB1H472K	C CAPACITOR	4700pF 50V K	1	
	C821	CK73HBB1H471K	C CAPACITOR	470pF 50V K	1	
	C830	CK73HBB1E682K	C CAPACITOR	6800pF 25V K	1	
	C831	CK73HBB1A104K	C CAPACITOR	0.1uF 10V K	1	
	C832	CK73HBB1A104K	C CAPACITOR	0.1uF 10V K	1	
	C840	CK73HBB1C473K	C CAPACITOR	0.047uF 16V K	1	
	C850	CK73HXR0J474K	C CAPACITOR	0.47uF 6.3V K	1	
	C851	CK73HXR0J474K	C CAPACITOR	0.47uF 6.3V K	1	
	C852	CE32BZ0J101M	E CAPACITOR		1	
	C860	CK73GXR1E474K	C CAPACITOR	0.47uF 25V K	1	
	C862	CK73EXR1E106K	C CAPACITOR	10uF 25V K	1	
	C863	CK73GBB1C224K	C CAPACITOR	0.22uF 16V K	1	
	C864	CK73HBB1A104K	C CAPACITOR	0.1uF 10V K	1	
	C866	CK73FXR1C106K	C CAPACITOR	10uF 16V K	1	
	C867	CK73FXR1C106K	C CAPACITOR	10uF 16V K	1	
	C868	CE32CC1A151M	E CAPACITOR	150uF 10V M	1	
	C869	CK73GBB1C224K	C CAPACITOR	0.22uF 16V K	1	
	C870	CC73HCH1H150J	C CAPACITOR	15pF 50V J	1	
	C872	CK73EXR1E106K	C CAPACITOR	10uF 25V K	1	
	C873	CK73GXR1E474K	C CAPACITOR	0.47uF 25V K	1	
	C874	CK73HBB1H471K	C CAPACITOR	470pF 50V K	1	
	C875	CK73HBB1H472K	C CAPACITOR	4700pF 50V K	1	
	C891	CK73GBB1H471K	C CAPACITOR	470pF 50V K	1	
	C892	CK73GXR1H104K	C CAPACITOR	0.1uF 50V K	1	
	C893	CK73FXR1C106K	C CAPACITOR	10uF 16V K	1	
	C902	CE32BZ1C221M	E CAPACITOR	220uF 16V M	1	
	C903	CE32BY1C470M	E CAPACITOR	47uF 16V M	1	
	C904	CK73HXR1A105K	C CAPACITOR	1uF 10V K	1	
	C905	CE32BZ1C221M	E CAPACITOR	220uF 16V M	1	
	C906	CK73HXR1A105K	C CAPACITOR	1uF 10V K	1	
	C907	CE32BZ0J101M	E CAPACITOR		1	
	C908	CK73HXR1A105K	C CAPACITOR	1uF 10V K	1	

MODEL	MARK	MODEL	MARK	MODEL	MARK	MODEL	MARK
KDC-110U	A1	KDC-110U	H1	KDC-110U	M1	KDC-152UM	M3
KDC-210UI	E1	KDC-210UI	M2	KDC-268U	K1		

Safe	Symbol No.	Parts No.	Parts Name	Description	QTY	Local
	C909	CK73GXR1H104K	C CAPACITOR	0.1uF 50V K	1	
	C911	CK73GXR1H104K	C CAPACITOR	0.1uF 50V K	1	
	C912	CK73HXR1A105K	C CAPACITOR	1uF 10V K	1	
	C914	CK73HXR1A105K	C CAPACITOR	1uF 10V K	1	
	C916	CK73HBB1C103K	C CAPACITOR	0.01uF 16V K	1	
	C940	CK73FXR0J106K	C CAPACITOR	10uF 6.3V K	1	
	C941	CK73HXR1A105K	C CAPACITOR	1uF 10V K	1	
	C942	CK73FXR0J106K	C CAPACITOR	10uF 6.3V K	1	
	C943	CK73GBB1H471K	C CAPACITOR	470pF 50V K	1	
	C990	CD040CY1C222M	E CAPACITOR		1	
	C1000	CK73GBB1H472K	C CAPACITOR	4700pF 50V K	1	
	C1010	CK73HBB1H471K	C CAPACITOR	470pF 50V K	1	A1,H1,M1,M3,M2
	C1011	CK73HBB1H471K	C CAPACITOR	470pF 50V K	1	A1,H1,M1,M3,M2
	C1012	CK73HBB1H471K	C CAPACITOR	470pF 50V K	1	A1,H1,M1,M3,M2
	C1013	CK73HBB1H471K	C CAPACITOR	470pF 50V K	1	A1,H1,M1,M3,M2
	C1014	CK73HBB1H471K	C CAPACITOR	470pF 50V K	1	A1,H1,M1,M3,M2
	C1015	CK73HBB1H471K	C CAPACITOR	470pF 50V K	1	A1,H1,M1,M3,M2
	C1016	CK73HBB1H471K	C CAPACITOR	470pF 50V K	1	A1,H1,M1,M3,M2
	C1017	CK73HBB1H471K	C CAPACITOR	470pF 50V K	1	A1,H1,M1,M3,M2
	C1033	CK73HBB1H472K	C CAPACITOR	4700pF 50V K	1	
	C1035	CK73GBB1H472K	C CAPACITOR	4700pF 50V K	1	
	C1600	CK73GXR1H104K	C CAPACITOR	0.1uF 50V K	1	
	C1601	CK73GXR1H104K	C CAPACITOR	0.1uF 50V K	1	
	C2004	CK73GBB1H472K	C CAPACITOR	4700pF 50V K	1	A1,H1,M1
	C2015	CK73GBB1H472K	C CAPACITOR	4700pF 50V K	1	
	C2023	CK73GBB1C224K	C CAPACITOR	0.22uF 16V K	1	
	C2024	CK73GBB1C224K	C CAPACITOR	0.22uF 16V K	1	
	C2025	CC73HCH1H050C	C CAPACITOR	5pF 50V C	1	
	C2026	CC73HCH1H050C	C CAPACITOR	5pF 50V C	1	
	C2027	CC73HCH1H050C	C CAPACITOR	5pF 50V C	1	
	C2028	CK73HBB1H472K	C CAPACITOR	4700pF 50V K	1	
	C2029	CK73GBB1H103K	C CAPACITOR	0.01uF 50V K	1	
	C2031	CK73HBB1H472K	C CAPACITOR	4700pF 50V K	1	
	C2036	CK73HBB1C103K	C CAPACITOR	0.01uF 16V K	1	
	C2037	CK73GBB1H471K	C CAPACITOR	470pF 50V K	1	
	C2038	CK73GBB1H471K	C CAPACITOR	470pF 50V K	1	
	C2041	CK73GBB1H103K	C CAPACITOR	0.01uF 50V K	1	
	C2042	CK73FXR0J106K	C CAPACITOR	10uF 6.3V K	1	
	R100	RK73GB2A471J	MG RESISTOR	470Ω 1/10W J	1	
	R103	RK73GB2A473J	MG RESISTOR	47kΩ 1/10W J	1	
	R104	RK73GB2A473J	MG RESISTOR	47kΩ 1/10W J	1	
	R167	RK73HB1J000J	MG RESISTOR	0Ω 1/16W J	1	
	R168	RK73HB1J101J	MG RESISTOR	100Ω 1/16W J	1	
	R169	RK73HB1J101J	MG RESISTOR	100Ω 1/16W J	1	
	R170	RK73HB1J000J	MG RESISTOR	0Ω 1/16W J	1	
	R171	RK73HB1J103J	MG RESISTOR	10kΩ 1/16W J	1	
	R250	RK73HB1J181J	MG RESISTOR	180Ω 1/16W J	1	
	R251	RK73HB1J223J	MG RESISTOR	22kΩ 1/16W J	1	
	R252	RK73HB1J331J	MG RESISTOR	330Ω 1/16W J	1	
	R260	RK73HB1J181J	MG RESISTOR	180Ω 1/16W J	1	
	R261	RK73HB1J223J	MG RESISTOR	22kΩ 1/16W J	1	
	R262	RK73HB1J331J	MG RESISTOR	330Ω 1/16W J	1	
	R270	RK73HB1J104J	MG RESISTOR	100kΩ 1/16W J	1	
	R271	RK73HB1J331J	MG RESISTOR	330Ω 1/16W J	1	
	R302	RK73GB2A222J	MG RESISTOR	2.2kΩ 1/10W J	1	
	R303	RK73EB2E5R1J	MG RESISTOR	5.1Ω 1/4W J	1	
	R304	RK73HB1J473J	MG RESISTOR	47kΩ 1/16W J	1	
	R320	RK73HB1J181J	MG RESISTOR	180Ω 1/16W J	1	A1,H1,M1,M3,M2,K1
	R321	RK73HB1J223J	MG RESISTOR	22kΩ 1/16W J	1	A1,H1,M1,M3,M2,K1
	R323	RK73HB1J331J	MG RESISTOR	330Ω 1/16W J	1	A1,H1,M1,M3,M2,K1
	R330	RK73HB1J181J	MG RESISTOR	180Ω 1/16W J	1	A1,H1,M1,M3,M2,K1
	R331	RK73HB1J223J	MG RESISTOR	22kΩ 1/16W J	1	A1,H1,M1,M3,M2,K1
	R333	RK73HB1J331J	MG RESISTOR	330Ω 1/16W J	1	A1,H1,M1,M3,M2,K1
	R370	RK73GB2A683J	MG RESISTOR	68kΩ 1/10W J	1	
	R371	RK73GB2A123J	MG RESISTOR	12kΩ 1/10W J	1	
	R372	RK73GB2A103J	MG RESISTOR	10kΩ 1/10W J	1	
	R390	RK73EB2E472J	MG RESISTOR	4.7kΩ 1/4W J	1	
	R400	RK73GB2A102J	MG RESISTOR	1kΩ 1/10W J	1	
	R402	RK73HB1J225J	MG RESISTOR	2.2MΩ 1/16W J	1	A1,H1,M1,M3,M2,K1
	R403	RK73GB2A473J	MG RESISTOR	47kΩ 1/10W J	1	E1
	R412	RK73HB1J472J	MG RESISTOR	4.7kΩ 1/16W J	1	E1,M2,K1
	R413	RK73HB1J472J	MG RESISTOR	4.7kΩ 1/16W J	1	E1,M2,K1
	R414	RK73HB1J472J	MG RESISTOR	4.7kΩ 1/16W J	1	E1,M2,K1
	R421	RK73HB1J473J	MG RESISTOR	47kΩ 1/16W J	1	
	R541	RK73HB1J562J	MG RESISTOR	5.6kΩ 1/16W J	1	
	R542	RK73HB1J223J	MG RESISTOR	22kΩ 1/16W J	1	
	R543	RK73GB2A562J	MG RESISTOR	5.6kΩ 1/10W J	1	
	R544	RK73HB1J183J	MG RESISTOR	18kΩ 1/16W J	1	
	R546	RK73HB1J103J	MG RESISTOR	10kΩ 1/16W J	1	
	R548	RK73HB1J123J	MG RESISTOR	12kΩ 1/16W J	1	
	R550	RK73GB2A222J	MG RESISTOR	2.2kΩ 1/10W J	1	
	R551	RK73HB1J222J	MG RESISTOR	2.2kΩ 1/16W J	1	
	R554	RK73HB1J225J	MG RESISTOR	2.2MΩ 1/16W J	1	
	R556	RK73GB2A472J	MG RESISTOR	4.7kΩ 1/10W J	1	
	R557	RK73EB2E4R7J	MG RESISTOR	4.7Ω 1/4W J	1	
	R558	RK73HB1J821J	MG RESISTOR	820Ω 1/16W J	1	
	R559	RK73HB1J272J	MG RESISTOR	2.7kΩ 1/16W J	1	
	R562	RK73GB2A823J	MG RESISTOR	82kΩ 1/10W J	1	
	R567	RK73HB1J101J	MG RESISTOR	100Ω 1/16W J	1	
	R569	RK73EB2E102J	MG RESISTOR	1kΩ 1/4W J	1	
	R570	RK73GB2A101J	MG RESISTOR	100Ω 1/10W J	1	
	R571	RK73HB1J103J	MG RESISTOR	10kΩ 1/16W J	1	

MODEL	MARK	MODEL	MARK	MODEL	MARK	MODEL	MARK
KDC-110U	A1	KDC-110U	H1	KDC-110U	M1	KDC-152UM	M3
KDC-210UI	E1	KDC-210UI	M2	KDC-268U	K1		

Safe	Symbol No.	Parts No.	Parts Name	Description	QTY	Local
	R572	RK73HB1J102J	MG RESISTOR	1kΩ 1/16W J	1	
	R573	RK73HB1J105J	MG RESISTOR	1MΩ 1/16W J	1	
	R579	RK73HB1J222J	MG RESISTOR	2.2kΩ 1/16W J	1	
	R580	RK73HB1J222J	MG RESISTOR	2.2kΩ 1/16W J	1	
	R587	RK73GB2A220J	MG RESISTOR	22Ω 1/10W J	1	
	R589	RK73HB1J821J	MG RESISTOR	820Ω 1/16W J	1	
	R590	RK73HB1J821J	MG RESISTOR	820Ω 1/16W J	1	
	R600	RK73GB2A102J	MG RESISTOR	1kΩ 1/10W J	1	
	R601	RK73HB1J101J	MG RESISTOR	100Ω 1/16W J	1	
	R602	RK73GB2A820J	MG RESISTOR	82Ω 1/10W J	1	
	R603	RK73HB1J105J	MG RESISTOR	1MΩ 1/16W J	1	
	R604	RK73HB1J105J	MG RESISTOR	1MΩ 1/16W J	1	
	R605	RK73HB1J4R7J	MG RESISTOR	4.7Ω 1/16W J	1	
	R611	RK73HB1J101J	MG RESISTOR	100Ω 1/16W J	1	
	R701	RK73GB2A303J	MG RESISTOR	30kΩ 1/10W J	1	
	R702	RK73HB1J472J	MG RESISTOR	4.7kΩ 1/16W J	1	
	R703	RK73HB1J162J	MG RESISTOR	1.6kΩ 1/16W J	1	
	R704	RK73HB1J162J	MG RESISTOR	1.6kΩ 1/16W J	1	
	R705	RK73HB1J162J	MG RESISTOR	1.6kΩ 1/16W J	1	
	R706	RK73HB1J223J	MG RESISTOR	22kΩ 1/16W J	1	
	R707	RK73HB1J162J	MG RESISTOR	1.6kΩ 1/16W J	1	
	R709	RK73HB1J332J	MG RESISTOR	3.3kΩ 1/16W J	1	
	R711	RK73HB1J222J	MG RESISTOR	2.2kΩ 1/16W J	1	
	R712	RK73HB1J102J	MG RESISTOR	1kΩ 1/16W J	1	
	R713	RK73HB1J222J	MG RESISTOR	2.2kΩ 1/16W J	1	
	R714	RK73HB1J102J	MG RESISTOR	1kΩ 1/16W J	1	
	R715	RK73GB2A222J	MG RESISTOR	2.2kΩ 1/10W J	1	
	R716	RK73HB1J222J	MG RESISTOR	2.2kΩ 1/16W J	1	
	R717	RK73HB1J104J	MG RESISTOR	100kΩ 1/16W J	1	
	R719	RK73HB1J911J	MG RESISTOR	910Ω 1/16W J	1	
	R720	RK73HB1J473J	MG RESISTOR	47kΩ 1/16W J	1	
	R721	RK73HB1J473J	MG RESISTOR	47kΩ 1/16W J	1	
	R722	RK73HB1J911J	MG RESISTOR	910Ω 1/16W J	1	
	R723	RK73GB2A274J	MG RESISTOR	270kΩ 1/10W J	1	
	R724	RK73HB1J105J	MG RESISTOR	1MΩ 1/16W J	1	
	R725	RK73HB1J332J	MG RESISTOR	3.3kΩ 1/16W J	1	
	R726	RK73HB1J220J	MG RESISTOR	22Ω 1/16W J	1	
	R727	RK73HB1J153J	MG RESISTOR	15kΩ 1/16W J	1	
	R728	RK73HB1J220J	MG RESISTOR	22Ω 1/16W J	1	
	R729	RK73HB1J153J	MG RESISTOR	15kΩ 1/16W J	1	
	R730	RK73HB1J473J	MG RESISTOR	47kΩ 1/16W J	1	
	R731	RK73HB1J473J	MG RESISTOR	47kΩ 1/16W J	1	
	R732	RK73HB1J394J	MG RESISTOR	390kΩ 1/16W J	1	M3,M2
	R733	RK73HB1J474J	MG RESISTOR	470kΩ 1/16W J	1	A1,H1,M1,E1,K1
	R733	RK73HB1J823J	MG RESISTOR	82kΩ 1/16W J	1	M3,M2
	R734	RK73HB1J334J	MG RESISTOR	330kΩ 1/16W J	1	A1,H1,M1,M2
	R734	RK73HB1J394J	MG RESISTOR	390kΩ 1/16W J	1	M3,E1
	R735	RK73HB1J154J	MG RESISTOR	150kΩ 1/16W J	1	A1,H1,M1,M2
	R735	RK73HB1J823J	MG RESISTOR	82kΩ 1/16W J	1	M3,E1
	R735	RK73HB1J474J	MG RESISTOR	470kΩ 1/16W J	1	K1
	R743	RK73HB1J473J	MG RESISTOR	47kΩ 1/16W J	1	
	R744	RK73GB2A473J	MG RESISTOR	47kΩ 1/10W J	1	
	R745	RK73HB1J222J	MG RESISTOR	2.2kΩ 1/16W J	1	
	R746	RK73GB2A472J	MG RESISTOR	4.7kΩ 1/10W J	1	
	R747	RK73GB2A472J	MG RESISTOR	4.7kΩ 1/10W J	1	
	R748	RK73HB1J472J	MG RESISTOR	4.7kΩ 1/16W J	1	
	R749	RK73HB1J473J	MG RESISTOR	47kΩ 1/16W J	1	
	R750	RK73HB1J101J	MG RESISTOR	100Ω 1/16W J	1	
	R751	RK73HB1J473J	MG RESISTOR	47kΩ 1/16W J	1	
	R752	RK73HB1J101J	MG RESISTOR	100Ω 1/16W J	1	
	R753	RK73EB2E102J	MG RESISTOR	1kΩ 1/4W J	1	
	R754	RK73HB1J100J	MG RESISTOR	10Ω 1/16W J	1	
	R755	RK73HB1J100J	MG RESISTOR	10Ω 1/16W J	1	
	R756	RK73HB1J473J	MG RESISTOR	47kΩ 1/16W J	1	
	R757	RK73GB2A473J	MG RESISTOR	47kΩ 1/10W J	1	
	R758	RK73HB1J473J	MG RESISTOR	47kΩ 1/16W J	1	
	R760	RK73HB1J473J	MG RESISTOR	47kΩ 1/16W J	1	
	R761	RK73HB1J473J	MG RESISTOR	47kΩ 1/16W J	1	
	R762	RK73HB1J473J	MG RESISTOR	47kΩ 1/16W J	1	
	R763	RK73HB1J472J	MG RESISTOR	4.7kΩ 1/16W J	1	
	R764	RK73HB1J472J	MG RESISTOR	4.7kΩ 1/16W J	1	
	R766	RK73HB1J101J	MG RESISTOR	100Ω 1/16W J	1	
	R767	RK73HB1J101J	MG RESISTOR	100Ω 1/16W J	1	
	R768	RK73GB2A680J	MG RESISTOR	68Ω 1/10W J	1	
	R820	RK73HB1J473J	MG RESISTOR	47kΩ 1/16W J	1	
	R821	RK73HB1J473J	MG RESISTOR	47kΩ 1/16W J	1	
	R822	RK73GB2A472J	MG RESISTOR	4.7kΩ 1/10W J	1	
	R830	RK73GB2A101J	MG RESISTOR	100Ω 1/10W J	1	
	R840	RK73HB1J101J	MG RESISTOR	100Ω 1/16W J	1	
	R841	RK73HB1J101J	MG RESISTOR	100Ω 1/16W J	1	
	R861	RK73HB1J200J	MG RESISTOR	20Ω 1/16W J	1	
	R864	RK73HB1J393J	MG RESISTOR	39kΩ 1/16W J	1	
	R865	RK73HH1J683D	MG RESISTOR	68kΩ 1/16W D	1	
	R867	RK73HH1J393D	MG RESISTOR	39kΩ 1/16W D	1	
	R868	RK73HH1J183D	MG RESISTOR	18kΩ 1/16W D	1	
	R890	RK73HH1J163D	MG RESISTOR	16kΩ 1/16W D	1	
	R892	RK73EB2E391J	MG RESISTOR	390Ω 1/4W J	1	
	R894	RK73GB2A000J	MG RESISTOR	0Ω 1/10W J	1	
	R900	RK73EB2E473J	MG RESISTOR	47kΩ 1/4W J	1	
	R901	RK73EB2E473J	MG RESISTOR	47kΩ 1/4W J	1	

MODEL	MARK	MODEL	MARK	MODEL	MARK	MODEL	MARK
KDC-110U	A1	KDC-110U	H1	KDC-110U	M1	KDC-152UM	M3
KDC-210UI	E1	KDC-210UI	M2	KDC-268U	K1		

Safe	Symbol No.	Parts No.	Parts Name	Description	QTY	Local
	R902	RK73EB2E682J	MG RESISTOR	6.8kΩ 1/4W J	1	
	R903	RK73EB2E682J	MG RESISTOR	6.8kΩ 1/4W J	1	
	R905	RK73HB1J101J	MG RESISTOR	100Ω 1/16W J	1	
	R940	RK73EB2E100J	MG RESISTOR	10Ω 1/4W J	1	
	R1062	RK73HB1J101J	MG RESISTOR	100Ω 1/16W J	1	
	R1063	RK73HB1J101J	MG RESISTOR	100Ω 1/16W J	1	
	R1064	RK73HB1J100J	MG RESISTOR	10Ω 1/16W J	1	
	R1065	RK73HB1J100J	MG RESISTOR	10Ω 1/16W J	1	
	R1070	RK73HB1J102J	MG RESISTOR	1kΩ 1/16W J	1	
	R1080	RK73GB2A000J	MG RESISTOR	0Ω 1/10W J	1	
	R2035	RK73HH1J100D	MG RESISTOR	10Ω 1/16W D	1	
	RA580	RK74GB1J471J	NET RESISTOR	470Ω 1/16W J	1	
	RA701	RK74GB1J473J	NET RESISTOR	47kΩ 1/16W J	1	
	L540	NQR0713-001X	FERRITE BEADS		1	
	L574	RK73GB2A000J	MG RESISTOR	0Ω 1/10W J	1	
	L600	LR73Z0AD4R7M	CHIP INDUCTOR	4.7uH	1	
	L601	LK73G0BE4R7K	M.CHIP INDUCTOR		1	
	L602	LK73H0BUR47K	M.CHIP INDUCTOR		1	
	L603	LK73H0BUR10K	M.CHIP INDUCTOR		1	
	L604	LK73H0BU1R0K	M.CHIP INDUCTOR		1	
	L605	LK73H0BUR22K	M.CHIP INDUCTOR		1	
	L606	LK73H0BUR12K	M.CHIP INDUCTOR		1	
	L607	LK73H0BUR15K	M.CHIP INDUCTOR		1	
	L700	NQR0286-002X	FERRITE BEADS		1	
	L701	LB73G0BK-006	CHIP FERRITE		1	
	L709	NQR0713-001X	FERRITE BEADS		1	
	L710	NQR0713-001X	FERRITE BEADS		1	
	L777	NQR0286-002X	FERRITE BEADS		1	
	L778	NQR0286-002X	FERRITE BEADS		1	
	L820	NQR0286-002X	FERRITE BEADS		1	
	L821	NQR0286-002X	FERRITE BEADS		1	
	L822	NQR0286-002X	FERRITE BEADS		1	
	L823	NQR0286-002X	FERRITE BEADS		1	
	L824	NQR0286-002X	FERRITE BEADS		1	
	L825	RK73GB2A101J	MG RESISTOR	100Ω 1/10W J	1	
	L826	LB73G0CB-005	CHIP FERRITE		1	
	L827	LB73G0BK-006	CHIP FERRITE		1	
	L860	NQLL6EM-100X	INDUCTOR	10uH M	1	
	L861	NQLH65M-4R7X	INDUCTOR	4.7uH M	1	
	L990	L3D-0043-00	CHOKO COIL		1	
	CN502	QGF1040F1-24	FFC/FPC CONNE	FFC/FPC (1-24)	1	
	CN701	QGZ2006J1-20	DETACHABLE CONN	(1-20)	1	
	CN990	E5J-0139-00	R.RECEPTACLE		1	
△	F1	F53-0513-08	PATTERN FUSE	4A	1	
△	F2	F53-0513-08	PATTERN FUSE	4A	1	
	F901	FZB10BT-100	BLADE FUSE		1	M1
	J321	E6D-0015-00	PIN JACK		1	A1,H1,M1,M3,M2,K1
	J321	E6D-0014-00	PIN JACK		1	E1
	J600	QNB0356-001	ANT TERMINAL		1	
	S830	S7A-0025-00	TACTILE PUSH SW		1	
	VA600	NAF0024-001X	ESD SUPPRESSOR		1	
	X540	L7J-0093-00	QUARTZ CRYSTAL		1	
	X600	L7J-0014-00	QUARTZ CRYSTAL		1	
	X701	L7J-0060-00	QUARTZ CRYSTAL		1	
	SWITCH PWB ASSY (XJ6-098x-0x) <XJ6>					
	IC1	BU97550KV-M	MOS IC		1	
	IC3	AS431AN-G1	ANALOG IC		1	
	IC90	SIRD630B6T	IR DETECT UNIT		1	A1,H1,M1,M3,M2,K1
	Q50	LSCR523EBFS8	TRANSISTOR		1	
	Q51	LSCR523EBFS8	TRANSISTOR		1	
	Q52	LSCR523EBFS8	TRANSISTOR		1	
	Q53	LSCR523EBFS8	TRANSISTOR		1	
	Q54	LSCR523EBFS8	TRANSISTOR		1	
	Q55	LSCR523EBFS8	TRANSISTOR		1	
	D2	SM5818PL	SCHOTTKY DIODE		1	
	D3	SM5818PL	SCHOTTKY DIODE		1	
	D20	SML-D12V8WT	LED		1	
	D21	NESM026DT-W	LED		1	
	D22	NESM026DT-W	LED		1	
	D23	NESM026DT-W	LED		1	
	D25	NESM026DT-W	LED		1	
	D49	NESM026DT-W	LED		1	
	D80	DZ2J051M	ZENER DIODE		1	
	D81	DZ2J051M	ZENER DIODE		1	
	C1	CK73GXR1C105K	C CAPACITOR	1uF 16V K	1	
	C5	CK73GXR1A105K	C CAPACITOR	1uF 10V K	1	
	C6	CK73EXR1C106K	C CAPACITOR	10uF 16V K	1	
	C7	CK73GBB1H472K	C CAPACITOR	4700pF 50V K	1	
	C60	CK73GBB1H102K	C CAPACITOR	1000pF 50V K	1	
	C61	CK73GBB1H102K	C CAPACITOR	1000pF 50V K	1	
	C80	CC73GCH1H270J	C CAPACITOR	27pF 50V J	1	
	C81	CC73GCH1H270J	C CAPACITOR	27pF 50V J	1	
	C82	CK73EXR1C106K	C CAPACITOR	10uF 16V K	1	
	C83	CK73GBB1H471K	C CAPACITOR	470pF 50V K	1	
	C84	CK73GBB1H472K	C CAPACITOR	4700pF 50V K	1	
	C85	CK73GBB1H471K	C CAPACITOR	470pF 50V K	1	
	C86	CK73GBB1H472K	C CAPACITOR	4700pF 50V K	1	
	C91	CK73GXR1A105K	C CAPACITOR	1uF 10V K	1	A1,H1,M1,M3,M2,K1
	R1	RK73GH2A473D	MG RESISTOR	47kΩ 1/10W D	1	
	R2	RK73GH2A433D	MG RESISTOR	43kΩ 1/10W D	1	
	R3	RK73GB2A471J	MG RESISTOR	470Ω 1/10W J	1	
	R4	RK73GB2A101J	MG RESISTOR	100Ω 1/10W J	1	

MODEL	MARK	MODEL	MARK	MODEL	MARK	MODEL	MARK
KDC-110U	A1	KDC-110U	H1	KDC-110U	M1	KDC-152UM	M3
KDC-210UI	E1	KDC-210UI	M2	KDC-268U	K1		

Safe	Symbol No.	Parts No.	Parts Name	Description	QTY	Local
	R6	RK73EB2E101J	MG RESISTOR	100Ω 1/4W J	1	
	R7	RK73FB2B000J	MG RESISTOR	0Ω 1/8W J	1	
	R10	RK73GB2A152J	MG RESISTOR	1.5kΩ 1/10W J	1	
	R14	RK73GB2A124J	MG RESISTOR	120kΩ 1/10W J	1	
	R21	RK73FB2B102J	MG RESISTOR	1kΩ 1/8W J	1	
	R22	RK73FB2B681J	MG RESISTOR	680Ω 1/8W J	1	
	R23	RK73FB2B681J	MG RESISTOR	680Ω 1/8W J	1	
	R25	RK73FB2B102J	MG RESISTOR	1kΩ 1/8W J	1	
	R26	RK73FB2B681J	MG RESISTOR	680Ω 1/8W J	1	
	R27	RK73FB2B681J	MG RESISTOR	680Ω 1/8W J	1	
	R29	RK73FB2B132J	MG RESISTOR	1.3kΩ 1/8W J	1	
	R30	RK73FB2B911J	MG RESISTOR	910Ω 1/8W J	1	
	R31	RK73FB2B911J	MG RESISTOR	910Ω 1/8W J	1	
	R33	RK73EB2E751J	MG RESISTOR	750Ω 1/4W J	1	
	R34	RK73EB2E471J	MG RESISTOR	470Ω 1/4W J	1	
	R35	RK73EB2E471J	MG RESISTOR	470Ω 1/4W J	1	
	R37	RK73FB2B821J	MG RESISTOR	820Ω 1/8W J	1	
	R38	RK73FB2B561J	MG RESISTOR	560Ω 1/8W J	1	
	R39	RK73FB2B561J	MG RESISTOR	560Ω 1/8W J	1	
	R60	RK73FB2B101J	MG RESISTOR	100Ω 1/8W J	1	
	R61	RK73FB2B101J	MG RESISTOR	100Ω 1/8W J	1	
	R62	RK73FB2B4R7J	MG RESISTOR	4.7Ω 1/8W J	1	
	R80	RK73EB2E221J	MG RESISTOR	220Ω 1/4W J	1	
	R1006	RK73GB2A000J	MG RESISTOR	0Ω 1/10W J	1	A1,H1,M1,M3,M2,K1
	RA1	RK74GB1J101J	NET RESISTOR	100Ω 1/16W J	1	
	RA2	RK74GB1J101J	NET RESISTOR	100Ω 1/16W J	1	
	RA3	RK74GB1J101J	NET RESISTOR	100Ω 1/16W J	1	
	RA50	RK74GB1J682J	NET RESISTOR	6.8kΩ 1/16W J	1	
	RA53	RK74GB1J682J	NET RESISTOR	6.8kΩ 1/16W J	1	
	CN1	QGZ2006K1-20X	DETACHABLE CONN	(1-20)	1	
	FL80	L7K-0030-00	FILTER		1	
	J60	QNS0320-001	3.5 JACK		1	
	J80	E5J-0069-00	USB TERMINAL		1	
	S20	T9K-0007-00	ROTARY ENCODER		1	

CD MECHA PWB ASSY (LVA20106-01A) <LVA>

	IC1	BD8266EFV-M	ANALOG IC		1	A1,H1,M1,M2,K1
	C26	CK73FXR1C106K	C CAPACITOR	10uF 16V K	1	A1,H1,M1,M2,K1
	C54	NCB31HK-104X	C CAPACITOR	0.1uF 50V K	1	A1,H1,M1,M2,K1
	C55	CK73FXR1C106K	C CAPACITOR	10uF 16V K	1	A1,H1,M1,M2,K1
	R18	RK73GB2A822J	MG RESISTOR	8.2kΩ 1/10W J	1	A1,H1,M1,M2,K1
	R21	RK73GB2A822J	MG RESISTOR	8.2kΩ 1/10W J	1	A1,H1,M1,M2,K1
	R24	RK73GB2A272J	MG RESISTOR	2.7kΩ 1/10W J	1	A1,H1,M1,M2,K1
	R27	RK73GB2A562J	MG RESISTOR	5.6kΩ 1/10W J	1	A1,H1,M1,M2,K1
	R28	RK73GB2A114J	MG RESISTOR	110kΩ 1/10W J	1	A1,H1,M1,M2,K1
	R29	RK73GB2A101J	MG RESISTOR	100Ω 1/10W J	1	A1,H1,M1,M2,K1
	R30	RK73GB2A101J	MG RESISTOR	100Ω 1/10W J	1	A1,H1,M1,M2,K1
	R36	RK73GB2A000J	MG RESISTOR	0Ω 1/10W J	1	A1,H1,M1,M2,K1
	R37	RK73GB2A000J	MG RESISTOR	0Ω 1/10W J	1	A1,H1,M1,M2,K1
	R38	RK73GB2A000J	MG RESISTOR	0Ω 1/10W J	1	A1,H1,M1,M2,K1
	R40	RK73GB2A000J	MG RESISTOR	0Ω 1/10W J	1	A1,H1,M1,M2,K1
	R42	RK73EB2E000J	MG RESISTOR	0Ω 1/4W J	1	A1,H1,M1,M2,K1
	R47	RK73EB2E000J	MG RESISTOR	0Ω 1/4W J	1	A1,H1,M1,M2,K1
	R48	RK73EB2E000J	MG RESISTOR	0Ω 1/4W J	1	A1,H1,M1,M2,K1
	R50	RK73GB2A131J	MG RESISTOR	130Ω 1/10W J	1	A1,H1,M1,M2,K1
	CN1	EC720AE-1024B	FFC FPC CONNE		1	A1,H1,M1,M2,K1
	CN2	EC720AK-0515A	FFC FPC CONNE		1	A1,H1,M1,M2,K1
	SW1	NSW0291-001X	DETECT SWITCH		1	A1,H1,M1,M2,K1
	SW2	NSW0291-001X	DETECT SWITCH		1	A1,H1,M1,M2,K1
	SW3	NSW0313-001X	DETECT SWITCH		1	A1,H1,M1,M2,K1

CD MECHA PWB ASSY (XJD-0010-00) <XJD>

	IC1	BD8266EFV-M	ANALOG IC		1	M3,E1
	C26	CK73FXR1C106K	C CAPACITOR	10uF 16V K	1	M3,E1
	C54	CK73GBB1C104K	C CAPACITOR	0.1uF 16V K	1	M3,E1
	C55	CK73FXR1C106K	C CAPACITOR	10uF 16V K	1	M3,E1
	R18	RK73GB2A822J	MG RESISTOR	8.2kΩ 1/10W J	1	M3,E1
	R21	RK73GB2A822J	MG RESISTOR	8.2kΩ 1/10W J	1	M3,E1
	R24	RK73GB2A272J	MG RESISTOR	2.7kΩ 1/10W J	1	M3,E1
	R27	RK73GB2A562J	MG RESISTOR	5.6kΩ 1/10W J	1	M3,E1
	R28	RK73GB2A114J	MG RESISTOR	110kΩ 1/10W J	1	M3,E1
	R29	RK73GB2A101J	MG RESISTOR	100Ω 1/10W J	1	M3,E1
	R30	RK73GB2A101J	MG RESISTOR	100Ω 1/10W J	1	M3,E1
	R36	RK73GB2A000J	MG RESISTOR	0Ω 1/10W J	1	M3,E1
	R37	RK73GB2A000J	MG RESISTOR	0Ω 1/10W J	1	M3,E1
	R38	RK73GB2A000J	MG RESISTOR	0Ω 1/10W J	1	M3,E1
	R40	RK73GB2A000J	MG RESISTOR	0Ω 1/10W J	1	M3,E1
	R42	RK73EB2E000J	MG RESISTOR	0Ω 1/4W J	1	M3,E1
	R47	RK73EB2E000J	MG RESISTOR	0Ω 1/4W J	1	M3,E1
	R48	RK73EB2E000J	MG RESISTOR	0Ω 1/4W J	1	M3,E1
	R50	RK73GB2A131J	MG RESISTOR	130Ω 1/10W J	1	M3,E1
	CN1	EC720AE-1024B	FFC FPC CONNE		1	M3,E1
	CN2	EC720AK-0515A	FFC FPC CONNE		1	M3,E1
	S1	S6J-0001-00	PUSH SWITCH		1	M3,E1
	S2	S6J-0001-00	PUSH SWITCH		1	M3,E1
	S3	S6J-0002-00	PUSH SWITCH		1	M3,E1