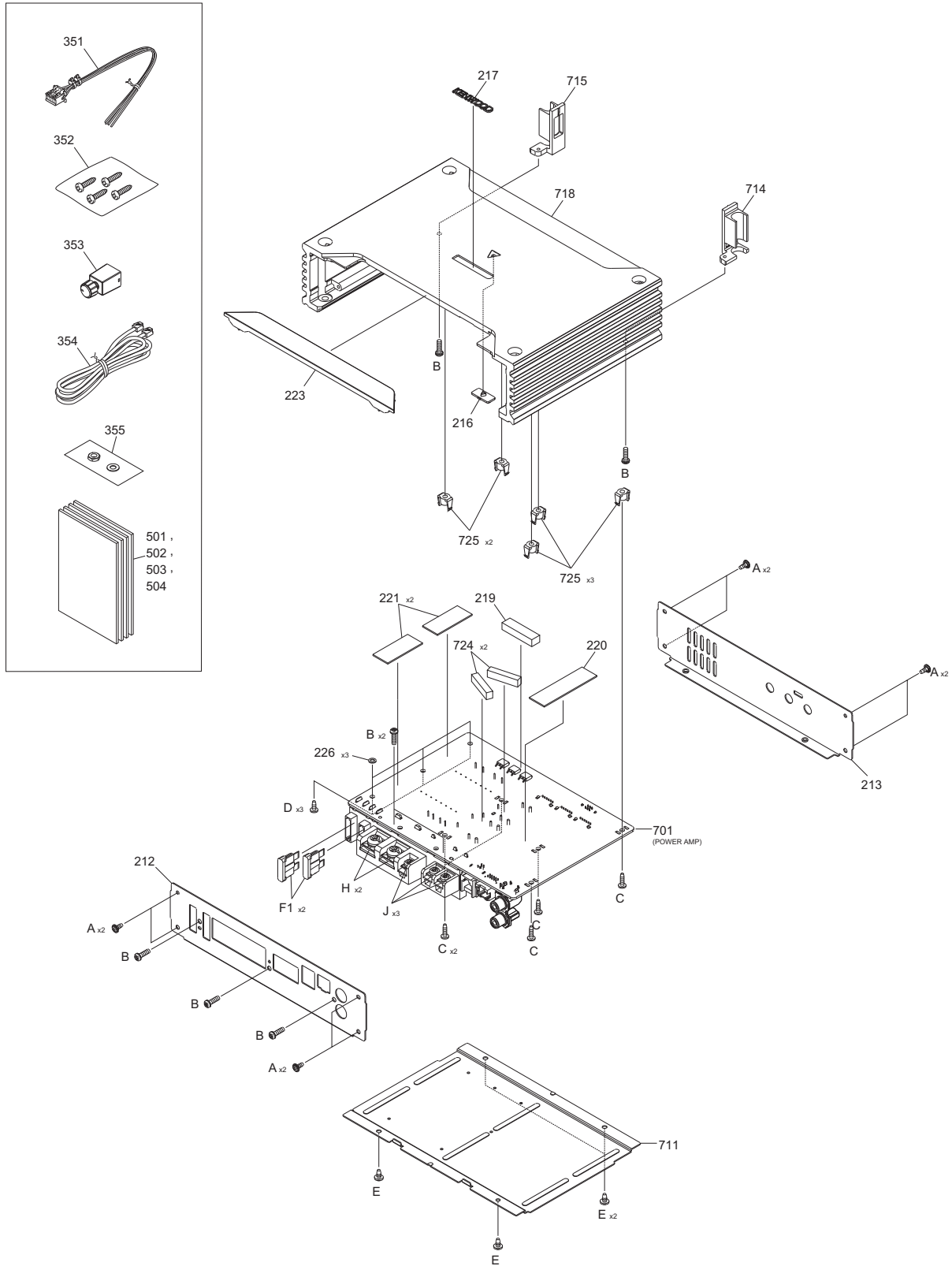


EXPLODED VIEW (UNIT)

Block No.M1MM



Parts with the exploded numbers larger than 700 are not supplied.

MODEL	MARK	MODEL	MARK	MODEL	MARK
KAC-511	K1	X502-1	K0	X502-1	W1

Safe	Symbol No.	Parts No.	Parts Name	Description	QTY	Local
------	------------	-----------	------------	-------------	-----	-------

EXPLODED VIEW (UNIT) <M1MM>

△	F1	FZB10AX-300	BLADE FUSE		2	
	A	N09-6943-05	TAPTITE SCREW		8	
	B	N80-3010-43	P.HEAD T.SCREW		7	
	C	N86-2610-48	BI.HEAD T.SCREW		5	
	D	N89-2608-48	BI.HEAD T.SCREW		3	
	E	N89-3006-48	BI.HEAD T.SCREW		4	
	H	N09-6393-08	SCREW (M6 Ni)		2	
	J	N09-4215-08	SCREW (M4 Ni)		3	
	212	A6A-0053-00	PANEL		1	
	213	A6A-0054-00	PANEL		1	
	216	B19-2623-04	LIGHTING BOARD		1	
	217	B43-1553-04	BADGE		1	
	219	F0C-0037-00	COOL SHEET		1	
	220	F0C-0088-00	COOL SHEET		1	
	221	F0C-0086-00	COOL SHEET		2	
	223	F1K-0127-10	COVER		1	
	226	J30-1107-04	SPACER		3	
	351	E3A-0623-00	CON.CORD ASSY		1	
	352	N99-1840-05	SCREW SET		1	
	353	XK7-013K-00	OPERATION UNIT		1	K1
	354	E3A-0486-00	CORD W.CON.		1	K1
	355	W0B-0099-00	ACCESSORIES		1	K1
	501	B5A-3031-00	INST.MANUAL	ENG FRE SPA	1	K1
	501	B5A-2739-00	INST.MANUAL	ENG FRE SPA	1	K0,W1
	502	B5A-2740-00	INST.MANUAL	GER ITA DUT	1	W1
	503	B5A-2741-00	INST.MANUAL	PER CHI(PEKIN) ARA	1	W1
	504	B5A-2742-00	INST.MANUAL		1	W1
	701	-----	POWER AMP UNIT	NO SERVICE PART	1	
	711	-----	BOTTOM PLATE	NO SERVICE PART	1	
	714	-----	ESCUTCHEON	NO SERVICE PART	1	
	715	-----	ESCUTCHEON	NO SERVICE PART	1	
	718	-----	HEAT SINK	NO SERVICE PART	1	K1
	718	-----	HEAT SINK	NO SERVICE PART	1	K0
	718	-----	HEAT SINK	NO SERVICE PART	1	W1
	724	-----	CUSHION	NO SERVICE PART	2	
	725	-----	SPACER	NO SERVICE PART	5	

MODEL	MARK	MODEL	MARK	MODEL	MARK
KAC-511	K1	X502-1	K0	X502-1	W1

Safe	Symbol No.	Parts No.	Parts Name	Description	QTY	Local
POWER AMP PWB ASSY (XK1-098K-00) <XK1>						
	IC101	NJM8065G	ANALOG IC		1	
	IC121	NJM8065G	ANALOG IC		1	
	IC201	NJM2172V-ZB	BIPOLAR IC		1	
	IC221	NJM431SF	ANALOG IC		1	
	IC251	NJM8065G	ANALOG IC		1	
	IC271	NJM8065G	ANALOG IC		1	
	IC281	NJM8065G	ANALOG IC		1	
	IC291	BA10358F	ANALOGUE IC		1	
	IC301	NJM8065G	ANALOG IC		1	
	IC302	NJM8065G	ANALOG IC		1	
	IC321	IRS2092SPBF	MOS IC		1	
	IC322	IRS2092SPBF	MOS IC		1	
	IC401	BA2903F	MOS IC		1	
	IC551	TL494ID	ANALOG IC		1	
	IC811	NJM8065G	ANALOG IC		1	
	Q231	LSCR523UBFS8	TRANSISTOR		1	
	Q235	LTA014EUBFS8	DIGI TRANSISTOR		1	
	Q236	RJU002N06FRA	FET		1	
	Q331	IPD60N10S4-12	FET		1	
	Q332	IPD60N10S4-12	FET		1	
	Q333	IPD60N10S4-12	FET		1	
	Q334	IPD60N10S4-12	FET		1	
	Q401	LSAR523UBFS8	TRANSISTOR		1	
	Q402	LSAR523UBFS8	TRANSISTOR		1	
	Q403	LSAR523UBFS8	TRANSISTOR		1	
	Q404	LSAR523UBFS8	TRANSISTOR		1	
	Q421	LTC014EUBFS8	DIGI TRANSISTOR		1	
	Q431	LSCR523UBFS8	TRANSISTOR		1	
	Q433	LSCR523UBFS8	TRANSISTOR		1	
	Q501	2SAR293P	TRANSISTOR		1	
	Q502	LSCR523UBFS8	TRANSISTOR		1	
	Q505	LSCR523UBFS8	TRANSISTOR		1	
	Q511	LTA014EUBFS8	DIGI TRANSISTOR		1	
	Q512	LTC014EUBFS8	DIGI TRANSISTOR		1	
	Q515	LTC014EUBFS8	DIGI TRANSISTOR		1	
	Q581	2SA1577/PQR/	TRANSISTOR		1	
	Q582	2SA1577/PQR/	TRANSISTOR		1	
	Q585	LTC014EUBFS8	DIGI TRANSISTOR		1	
	Q587	LTA014EUBFS8	DIGI TRANSISTOR		1	
	Q601	IPD50N06S4-09	FET		1	
	Q602	IPD50N06S4-09	FET		1	
	Q603	IPD50N06S4-09	FET		1	
	Q604	IPD50N06S4-09	FET		1	
	Q605	2SA1577/PQR/	TRANSISTOR		1	
	Q606	2SA1577/PQR/	TRANSISTOR		1	
	Q671	2SCR573D3	TRANSISTOR		1	
	Q672	2SAR573D3	TRANSISTOR		1	
	Q692	2SCR573D3	TRANSISTOR		1	
	Q701	LSAR523UBFS8	TRANSISTOR		1	
	Q706	LSCR523UBFS8	TRANSISTOR		1	
	Q711	LSCR523UBFS8	TRANSISTOR		1	
	Q807	LSCR523UBFS8	TRANSISTOR		1	
	Q808	LSCR523UBFS8	TRANSISTOR		1	
	D103	DAP202UM	DIODE		1	
	D104	DAN202UM	DIODE		1	
	D121	DAP202UM	DIODE		1	
	D122	DAN202UM	DIODE		1	
	D161	DAN202UM	DIODE		1	
	D181	DA204U	MULTIPLE DIODE		1	
	D182	DA204U	MULTIPLE DIODE		1	
	D215	1SS355VM	DIODE		1	
	D291	1SS355VM	DIODE		1	
	D298	DA204U	MULTIPLE DIODE		1	
	D371	RF05VAM2S	DIODE		1	
	D372	RF05VAM2S	DIODE		1	
	D391	UDZV5.1B	ZENER DIODE		1	
	D392	UDZV5.1B	ZENER DIODE		1	
	D393	UDZV5.1B	ZENER DIODE		1	
	D394	UDZV5.1B	ZENER DIODE		1	
	D407	1SS355VM	DIODE		1	
	D408	1SS355VM	DIODE		1	
	D421	UDZV12B	ZENER DIODE		1	
	D433	DA204U	MULTIPLE DIODE		1	
	D502	UDZV6.8B	ZENER DIODE		1	
	D504	UDZV3.3B	ZENER DIODE		1	
	D505	1SS355VM	DIODE		1	
	D507	UDZV15B	ZENER DIODE		1	
	D515	UDZV5.6B	ZENER DIODE		1	
	D551	1SS355VM	DIODE		1	
	D561	1SS355VM	DIODE		1	
	D562	DAP202UM	DIODE		1	
	D571	SML-E12UWQRS	LED		1	
	D581	DAN202UM	DIODE		1	
	D586	UDZV5.1B	ZENER DIODE		1	
	D589	1SS355VM	DIODE		1	
	D605	1SS355VM	DIODE		1	
	D606	1SS355VM	DIODE		1	
	D651	MBRD10200CT	SCHOTTKY DIODE		1	
	D652	MBRD10200CT	SCHOTTKY DIODE		1	
	D653	MBRD10200CT	SCHOTTKY DIODE		1	
	D654	MBRD10200CT	SCHOTTKY DIODE		1	

MODEL	MARK	MODEL	MARK	MODEL	MARK
KAC-511	K1	X502-1	K0	X502-1	W1

Safe	Symbol No.	Parts No.	Parts Name	Description	QTY	Local
	D673	UDZV15B	ZENER DIODE		1	
	D674	UDZV15B	ZENER DIODE		1	
	D694	UDZV12B	ZENER DIODE		1	
	D705	DAN202UM	DIODE		1	
	D707	1SS355VM	DIODE		1	
	D708	1SS355VM	DIODE		1	
	D713	1SS355VM	DIODE		1	
	D714	1SS355VM	DIODE		1	
	D803	1SS355VM	DIODE		1	
	D804	1SS355VM	DIODE		1	
	D812	UDZV27B	ZENER DIODE		1	
	D822	UDZV27B	ZENER DIODE		1	
	C101	CE32CL1C100M	E CAPACITOR	10uF 16V M	1	
	C102	CK73HXR1H102K	C CAPACITOR	1000pF 50V K	1	
	C103	CC73HCH1H330J	C CAPACITOR	33pF 50V J	1	
	C104	CC73HCH1H330J	C CAPACITOR	33pF 50V J	1	
	C109	CK73HXR1H103K	C CAPACITOR	0.01uF 50V K	1	
	C110	CK73HXR1H103K	C CAPACITOR	0.01uF 50V K	1	
	C120	CK73HXR1H103K	C CAPACITOR	0.01uF 50V K	1	
	C121	CC73HCH1H330J	C CAPACITOR	33pF 50V J	1	
	C123	CC73HCH1H151J	C CAPACITOR	150pF 50V J	1	
	C124	CC73HCH1H151J	C CAPACITOR	150pF 50V J	1	
	C129	CK73HXR1H103K	C CAPACITOR	0.01uF 50V K	1	
	C130	CK73HXR1H103K	C CAPACITOR	0.01uF 50V K	1	
	C155	CK73HXR1E224K	C CAPACITOR	0.22uF 25V K	1	
	C156	CK73HXR1E224K	C CAPACITOR	0.22uF 25V K	1	
	C181	CK73HXR1H103K	C CAPACITOR	0.01uF 50V K	1	
	C201	CE32CL1C100M	E CAPACITOR	10uF 16V M	1	
	C205	CE32CL1V4R7M	E CAPACITOR	4.7uF 35V M	1	
	C206	CE32CL1H010M	E CAPACITOR	1uF 50V M	1	
	C210	CK73HXR1H103K	C CAPACITOR	0.01uF 50V K	1	
	C215	CE32CL0J470M	E CAPACITOR	47uF 6.3V M	1	
	C221	CE32CL1C100M	E CAPACITOR	10uF 16V M	1	
	C231	CK73HXR1H104K	C CAPACITOR	0.1uF 50V K	1	
	C236	CK73HXR1H104K	C CAPACITOR	0.1uF 50V K	1	
	C251	CE32CL1C100M	E CAPACITOR	10uF 16V M	1	
	C252	CE32CL1C100M	E CAPACITOR	10uF 16V M	1	
	C259	CK73HXR1H103K	C CAPACITOR	0.01uF 50V K	1	
	C260	CK73HXR1H103K	C CAPACITOR	0.01uF 50V K	1	
	C261	CE32CL1C100M	E CAPACITOR	10uF 16V M	1	
	C264	CC73HCH1H470J	C CAPACITOR	47pF 50V J	1	
	C265	CE32CL1C100M	E CAPACITOR	10uF 16V M	1	
	C275	CC73HCH1H101J	C CAPACITOR	100pF 50V J	1	
	C276	CK73HXR1H104K	C CAPACITOR	0.1uF 50V K	1	
	C277	CE32CL1V4R7M	E CAPACITOR	4.7uF 35V M	1	
	C279	CK73HXR1H103K	C CAPACITOR	0.01uF 50V K	1	
	C280	CK73HXR1H103K	C CAPACITOR	0.01uF 50V K	1	
	C281	CK73HXR1H473K	C CAPACITOR	0.047uF 50V K	1	
	C282	CB73GAE1V223M	FILM CAPACITOR	0.022uF 35V M	1	
	C283	CK73HXR1H473K	C CAPACITOR	0.047uF 50V K	1	
	C284	CK73HXR1E223K	C CAPACITOR	0.022uF 25V K	1	
	C285	CK73HXR1H104K	C CAPACITOR	0.1uF 50V K	1	
	C286	CB73GAE1V223M	FILM CAPACITOR	0.022uF 35V M	1	
	C287	CK73HXR1H104K	C CAPACITOR	0.1uF 50V K	1	
	C288	CK73HXR1E223K	C CAPACITOR	0.022uF 25V K	1	
	C289	CK73HXR1H103K	C CAPACITOR	0.01uF 50V K	1	
	C290	CK73HXR1H103K	C CAPACITOR	0.01uF 50V K	1	
	C291	CK73HXR1H104K	C CAPACITOR	0.1uF 50V K	1	
	C292	CK73HXR1H103K	C CAPACITOR	0.01uF 50V K	1	
	C298	CK73HXR1H103K	C CAPACITOR	0.01uF 50V K	1	
	C299	CK73HXR1H103K	C CAPACITOR	0.01uF 50V K	1	
	C300	CK73HXR1H103K	C CAPACITOR	0.01uF 50V K	1	
	C303	CK73HXR1H332K	C CAPACITOR	3300pF 50V K	1	
	C304	CK73HXR1H332K	C CAPACITOR	3300pF 50V K	1	
	C305	CK73HXR1H103K	C CAPACITOR	0.01uF 50V K	1	
	C306	CK73HXR1H103K	C CAPACITOR	0.01uF 50V K	1	
	C309	CK73HXR1H103K	C CAPACITOR	0.01uF 50V K	1	
	C310	CK73HXR1H103K	C CAPACITOR	0.01uF 50V K	1	
	C311	CK73HXR1H103K	C CAPACITOR	0.01uF 50V K	1	
	C312	CK73HXR1H103K	C CAPACITOR	0.01uF 50V K	1	
	C318	CC73HCH1H101J	C CAPACITOR	100pF 50V J	1	
	C319	CK73HXR1H103K	C CAPACITOR	0.01uF 50V K	1	
	C320	CK73HXR1H103K	C CAPACITOR	0.01uF 50V K	1	
	C321	CE32CL1C100M	E CAPACITOR	10uF 16V M	1	
	C322	CE32CL1C100M	E CAPACITOR	10uF 16V M	1	
	C325	CC73HCH1H151J	C CAPACITOR	150pF 50V J	1	
	C326	CC73HCH1H151J	C CAPACITOR	150pF 50V J	1	
	C331	CK73HXR1H104K	C CAPACITOR	0.1uF 50V K	1	
	C332	CK73HXR1H104K	C CAPACITOR	0.1uF 50V K	1	
	C333	CK73HXR1H104K	C CAPACITOR	0.1uF 50V K	1	
	C334	CK73HXR1H104K	C CAPACITOR	0.1uF 50V K	1	
	C341	CB19EAC2A225K	MPF CAPACITOR	2.2uF 100V K	1	
	C342	CB19EAC2A225K	MPF CAPACITOR	2.2uF 100V K	1	
	C343	CK73HXR1H104K	C CAPACITOR	0.1uF 50V K	1	
	C344	CK73HXR1H104K	C CAPACITOR	0.1uF 50V K	1	
	C345	CK73HXR1H103K	C CAPACITOR	0.01uF 50V K	1	
	C346	CK73HXR1H103K	C CAPACITOR	0.01uF 50V K	1	
	C351	CK73HXR1H102K	C CAPACITOR	1000pF 50V K	1	
	C352	CK73HXR1H102K	C CAPACITOR	1000pF 50V K	1	
	C353	CK73HXR1H102K	C CAPACITOR	1000pF 50V K	1	
	C354	CK73HXR1H102K	C CAPACITOR	1000pF 50V K	1	
	C355	CK73HXR1H102K	C CAPACITOR	1000pF 50V K	1	

MODEL	MARK	MODEL	MARK	MODEL	MARK
KAC-511	K1	X502-1	K0	X502-1	W1

Safe	Symbol No.	Parts No.	Parts Name	Description	QTY	Local
	C356	CK73HXR1H102K	C CAPACITOR	1000pF 50V K	1	
	C357	CK73HXR1H102K	C CAPACITOR	1000pF 50V K	1	
	C358	CK73HXR1H102K	C CAPACITOR	1000pF 50V K	1	
	C361	CK73HXR1H104K	C CAPACITOR	0.1uF 50V K	1	
	C362	CK73HXR1H104K	C CAPACITOR	0.1uF 50V K	1	
	C363	CK73HXR1H104K	C CAPACITOR	0.1uF 50V K	1	
	C364	CK73HXR1H104K	C CAPACITOR	0.1uF 50V K	1	
	C371	CK73EXR1C226K	C CAPACITOR	22uF 16V K	1	
	C372	CK73EXR1C226K	C CAPACITOR	22uF 16V K	1	
	C373	CK73FXR1C106K	C CAPACITOR	10uF 16V K	1	
	C374	CK73FXR1C106K	C CAPACITOR	10uF 16V K	1	
	C381	CC73HCH1H102J	C CAPACITOR	1000pF 50V J	1	
	C382	CC73HCH1H102J	C CAPACITOR	1000pF 50V J	1	
	C383	CC73HCH1H102J	C CAPACITOR	1000pF 50V J	1	
	C384	CC73HCH1H102J	C CAPACITOR	1000pF 50V J	1	
	C385	CC73HCH1H102J	C CAPACITOR	1000pF 50V J	1	
	C386	CC73HCH1H102J	C CAPACITOR	1000pF 50V J	1	
	C387	CK73FXR1C106K	C CAPACITOR	10uF 16V K	1	
	C388	CK73FXR1C106K	C CAPACITOR	10uF 16V K	1	
	C391	CK73FXR1C106K	C CAPACITOR	10uF 16V K	1	
	C392	CK73FXR1C106K	C CAPACITOR	10uF 16V K	1	
	C393	CK73FXR1C106K	C CAPACITOR	10uF 16V K	1	
	C394	CK73FXR1C106K	C CAPACITOR	10uF 16V K	1	
	C395	CK73HXR1H102K	C CAPACITOR	1000pF 50V K	1	
	C396	CK73HXR1H102K	C CAPACITOR	1000pF 50V K	1	
	C397	CK73HXR1H102K	C CAPACITOR	1000pF 50V K	1	
	C398	CK73HXR1H102K	C CAPACITOR	1000pF 50V K	1	
	C399	CK73HXR1H103K	C CAPACITOR	0.01uF 50V K	1	
	C400	CK73HXR1H103K	C CAPACITOR	0.01uF 50V K	1	
	C407	CK73HXR1H103K	C CAPACITOR	0.01uF 50V K	1	
	C408	CK73HXR1H103K	C CAPACITOR	0.01uF 50V K	1	
	C409	CK73HXR1H103K	C CAPACITOR	0.01uF 50V K	1	
	C433	CE32CL0J470M	E CAPACITOR	47uF 6.3V M	1	
	C501	CK73FXR1E106K	C CAPACITOR	10uF 25V K	1	
	C502	CK73HXR1H103K	C CAPACITOR	0.01uF 50V K	1	
	C506	CK73HXR1H103K	C CAPACITOR	0.01uF 50V K	1	
	C511	CK73HXR1C105K	C CAPACITOR	1uF 16V K	1	
	C513	CK73HXR1H104K	C CAPACITOR	0.1uF 50V K	1	
	C514	CK73HXR1H102K	C CAPACITOR	1000pF 50V K	1	
	C551	CE32CL0J470M	E CAPACITOR	47uF 6.3V M	1	
	C556	CK73HXR1C105K	C CAPACITOR	1uF 16V K	1	
	C558	CC73HCH1H102J	C CAPACITOR	1000pF 50V J	1	
	C559	CK73HXR1H104K	C CAPACITOR	0.1uF 50V K	1	
	C560	CK73HXR1H104K	C CAPACITOR	0.1uF 50V K	1	
	C566	CK73HXR1H103K	C CAPACITOR	0.01uF 50V K	1	
	C588	CK73HXR1C105K	C CAPACITOR	1uF 16V K	1	
	C611	CD04GF1C222M	E CAPACITOR	2200uF 16V M	1	
	C612	CD04GF1C222M	E CAPACITOR	2200uF 16V M	1	
	C621	CK73HXR1H222K	C CAPACITOR	2200pF 50V K	1	
	C622	CK73HXR1H222K	C CAPACITOR	2200pF 50V K	1	
	C625	CK73HXR1H102K	C CAPACITOR	1000pF 50V K	1	
	C626	CK73HXR1H102K	C CAPACITOR	1000pF 50V K	1	
	C651	CD040CT1H222M	E CAPACITOR	2200uF 50V M	1	
	C652	CD040CT1H222M	E CAPACITOR	2200uF 50V M	1	
	C653	CK73HXR1H103K	C CAPACITOR	0.01uF 50V K	1	
	C654	CK73HXR1H103K	C CAPACITOR	0.01uF 50V K	1	
	C655	CK73HXR1H222K	C CAPACITOR	2200pF 50V K	1	
	C656	CK73HXR1H222K	C CAPACITOR	2200pF 50V K	1	
	C671	CE32CL1C470M	E CAPACITOR	47uF 16V M	1	
	C672	CE32CL1C470M	E CAPACITOR	47uF 16V M	1	
	C675	CK73FXR1C106K	C CAPACITOR	10uF 16V K	1	
	C676	CK73FXR1C106K	C CAPACITOR	10uF 16V K	1	
	C681	CC73HCH1H050C	C CAPACITOR	5pF 50V C	1	
	C682	CC73HCH1H050C	C CAPACITOR	5pF 50V C	1	
	C683	CC73HCH1H050C	C CAPACITOR	5pF 50V C	1	
	C684	CC73HCH1H050C	C CAPACITOR	5pF 50V C	1	
	C685	CC73HCH1H050C	C CAPACITOR	5pF 50V C	1	
	C686	CC73HCH1H050C	C CAPACITOR	5pF 50V C	1	
	C692	CE32CL1C470M	E CAPACITOR	47uF 16V M	1	
	C696	CK73FXR1C106K	C CAPACITOR	10uF 16V K	1	
	C703	CE32CL1C100M	E CAPACITOR	10uF 16V M	1	
	C704	CK73HXR1H103K	C CAPACITOR	0.01uF 50V K	1	
	C706	CK73HXR1H103K	C CAPACITOR	0.01uF 50V K	1	
	C712	CK73HXR1H104K	C CAPACITOR	0.1uF 50V K	1	
	C751	CK73HXR1H103K	C CAPACITOR	0.01uF 50V K	1	
	C753	CK73HXR1H103K	C CAPACITOR	0.01uF 50V K	1	
	C754	CK73HXR1H103K	C CAPACITOR	0.01uF 50V K	1	
	C755	CK73HXR1H103K	C CAPACITOR	0.01uF 50V K	1	
	C756	CK73HXR1H103K	C CAPACITOR	0.01uF 50V K	1	
	C757	CK73HXR1H103K	C CAPACITOR	0.01uF 50V K	1	
	C758	CK73HXR1H103K	C CAPACITOR	0.01uF 50V K	1	
	C761	CK73HXR1H103K	C CAPACITOR	0.01uF 50V K	1	
	C762	CK73HXR1H103K	C CAPACITOR	0.01uF 50V K	1	
	C763	CK73HXR1H102K	C CAPACITOR	1000pF 50V K	1	
	C764	CK73HXR1H102K	C CAPACITOR	1000pF 50V K	1	
	C765	CK73HXR1H103K	C CAPACITOR	0.01uF 50V K	1	
	C766	CK73HXR1H103K	C CAPACITOR	0.01uF 50V K	1	
	C767	CK73HXR1H103K	C CAPACITOR	0.01uF 50V K	1	
	C768	CK73HXR1H103K	C CAPACITOR	0.01uF 50V K	1	
	C803	CK73HXR1H103K	C CAPACITOR	0.01uF 50V K	1	
	C804	CK73HXR1H103K	C CAPACITOR	0.01uF 50V K	1	
	C805	CK73FXR1C106K	C CAPACITOR	10uF 16V K	1	
	C806	CK73FXR1C106K	C CAPACITOR	10uF 16V K	1	

MODEL	MARK	MODEL	MARK	MODEL	MARK
KAC-511	K1	X502-1	K0	X502-1	W1

Safe	Symbol No.	Parts No.	Parts Name	Description	QTY	Local
	C807	CK73HXR1E474K	C CAPACITOR	0.47uF 25V K	1	
	C808	CK73HXR1E474K	C CAPACITOR	0.47uF 25V K	1	
	C811	CK73HXR1C105K	C CAPACITOR	1uF 16V K	1	
	C812	CK73HXR1C105K	C CAPACITOR	1uF 16V K	1	
	C819	CK73HXR1H103K	C CAPACITOR	0.01uF 50V K	1	
	C820	CK73HXR1H103K	C CAPACITOR	0.01uF 50V K	1	
	C821	CK73HXR1C105K	C CAPACITOR	1uF 16V K	1	
	C822	CK73HXR1C105K	C CAPACITOR	1uF 16V K	1	
	C901	CE32CL1C100M	E CAPACITOR	10uF 16V M	1	
	C931	CE32BF1H220M	E CAPACITOR	22uF 50V M	1	
	C932	CE32BF1H220M	E CAPACITOR	22uF 50V M	1	
	C933	CE32BF1H220M	E CAPACITOR	22uF 50V M	1	
	C934	CE32BF1H220M	E CAPACITOR	22uF 50V M	1	
	R101	RK73HB1J682J	MG RESISTOR	6.8kΩ 1/16W J	1	
	R102	RK73HB1J682J	MG RESISTOR	6.8kΩ 1/16W J	1	
	R103	RK73HB1J472J	MG RESISTOR	4.7kΩ 1/16W J	1	
	R104	RK73HB1J472J	MG RESISTOR	4.7kΩ 1/16W J	1	
	R105	RK73HB1J332J	MG RESISTOR	3.3kΩ 1/16W J	1	
	R106	RK73HB1J224J	MG RESISTOR	220kΩ 1/16W J	1	
	R121	RK73HH1J103D	MG RESISTOR	10kΩ 1/16W D	1	
	R122	RK73HH1J103D	MG RESISTOR	10kΩ 1/16W D	1	
	R123	RK73HH1J562D	MG RESISTOR	5.6kΩ 1/16W D	1	
	R124	RK73HH1J562D	MG RESISTOR	5.6kΩ 1/16W D	1	
	R151	RK73HB1J154J	MG RESISTOR	150kΩ 1/16W J	1	
	R152	RK73HB1J154J	MG RESISTOR	150kΩ 1/16W J	1	
	R153	RK73HB1J154J	MG RESISTOR	150kΩ 1/16W J	1	
	R154	RK73HB1J154J	MG RESISTOR	150kΩ 1/16W J	1	
	R155	RK73HB1J334J	MG RESISTOR	330kΩ 1/16W J	1	
	R156	RK73HB1J334J	MG RESISTOR	330kΩ 1/16W J	1	
	R157	RK73HB1J752J	MG RESISTOR	7.5kΩ 1/16W J	1	
	R158	RK73HB1J752J	MG RESISTOR	7.5kΩ 1/16W J	1	
	R159	RK73HB1J752J	MG RESISTOR	7.5kΩ 1/16W J	1	
	R160	RK73HB1J752J	MG RESISTOR	7.5kΩ 1/16W J	1	
	R161	RK73HB1J153J	MG RESISTOR	15kΩ 1/16W J	1	
	R181	RK73EB2E102J	MG RESISTOR	1kΩ 1/4W J	1	
	R182	RK73EB2E101J	MG RESISTOR	100Ω 1/4W J	1	
	R183	RK73HB1J682J	MG RESISTOR	6.8kΩ 1/16W J	1	
	R184	RK73HB1J102J	MG RESISTOR	1kΩ 1/16W J	1	
	R185	RK73HB1J122J	MG RESISTOR	1.2kΩ 1/16W J	1	
	R201	RK73HB1J103J	MG RESISTOR	10kΩ 1/16W J	1	
	R202	RK73HB1J682J	MG RESISTOR	6.8kΩ 1/16W J	1	
	R204	RK73HB1J682J	MG RESISTOR	6.8kΩ 1/16W J	1	
	R206	RK73HB1J332J	MG RESISTOR	3.3kΩ 1/16W J	1	
	R211	RK73HB1J473J	MG RESISTOR	47kΩ 1/16W J	1	
	R212	RK73HB1J123J	MG RESISTOR	12kΩ 1/16W J	1	
	R213	RK73HB1J332J	MG RESISTOR	3.3kΩ 1/16W J	1	
	R215	RK73HB1J183J	MG RESISTOR	18kΩ 1/16W J	1	
	R221	RK73HB1J123J	MG RESISTOR	12kΩ 1/16W J	1	
	R222	RK73HB1J103J	MG RESISTOR	10kΩ 1/16W J	1	
	R223	RK73EB2E102J	MG RESISTOR	1kΩ 1/4W J	1	
	R224	RK73HB1J472J	MG RESISTOR	4.7kΩ 1/16W J	1	
	R231	RK73HB1J332J	MG RESISTOR	3.3kΩ 1/16W J	1	
	R232	RK73HB1J103J	MG RESISTOR	10kΩ 1/16W J	1	
	R233	RK73HB1J153J	MG RESISTOR	15kΩ 1/16W J	1	
	R235	RK73HB1J102J	MG RESISTOR	1kΩ 1/16W J	1	
	R236	RK73HB1J473J	MG RESISTOR	47kΩ 1/16W J	1	
	R237	RK73HB1J472J	MG RESISTOR	4.7kΩ 1/16W J	1	
	R251	RK73HB1J103J	MG RESISTOR	10kΩ 1/16W J	1	
	R252	RK73HB1J103J	MG RESISTOR	10kΩ 1/16W J	1	
	R253	RK73HB1J303J	MG RESISTOR	30kΩ 1/16W J	1	
	R254	RK73HB1J303J	MG RESISTOR	30kΩ 1/16W J	1	
	R255	RK73HB1J682J	MG RESISTOR	6.8kΩ 1/16W J	1	
	R261	RK73HB1J222J	MG RESISTOR	2.2kΩ 1/16W J	1	
	R262	RK73HB1J104J	MG RESISTOR	100kΩ 1/16W J	1	
	R263	RK73HB1J682J	MG RESISTOR	6.8kΩ 1/16W J	1	
	R264	RK73HB1J273J	MG RESISTOR	27kΩ 1/16W J	1	
	R265	RK73HB1J222J	MG RESISTOR	2.2kΩ 1/16W J	1	
	R273	RK73HB1J102J	MG RESISTOR	1kΩ 1/16W J	1	
	R274	RK73HB1J104J	MG RESISTOR	100kΩ 1/16W J	1	
	R275	RK73HB1J222J	MG RESISTOR	2.2kΩ 1/16W J	1	
	R276	RK73HB1J184J	MG RESISTOR	180kΩ 1/16W J	1	
	R277	RK73HB1J181J	MG RESISTOR	180Ω 1/16W J	1	
	R281	RK73HB1J153J	MG RESISTOR	15kΩ 1/16W J	1	
	R282	RK73HB1J153J	MG RESISTOR	15kΩ 1/16W J	1	
	R283	RK73HB1J103J	MG RESISTOR	10kΩ 1/16W J	1	
	R284	RK73HB1J472J	MG RESISTOR	4.7kΩ 1/16W J	1	
	R285	RK73HB1J752J	MG RESISTOR	7.5kΩ 1/16W J	1	
	R286	RK73HB1J153J	MG RESISTOR	15kΩ 1/16W J	1	
	R287	RK73HB1J752J	MG RESISTOR	7.5kΩ 1/16W J	1	
	R288	RK73HB1J133J	MG RESISTOR	13kΩ 1/16W J	1	
	R291	RK73HB1J101J	MG RESISTOR	100Ω 1/16W J	1	
	R292	RK73HB1J472J	MG RESISTOR	4.7kΩ 1/16W J	1	
	R293	RK73HB1J1R0J	MG RESISTOR	1Ω 1/16W J	1	
	R294	RK73HB1J273J	MG RESISTOR	27kΩ 1/16W J	1	
	R295	RK73HB1J273J	MG RESISTOR	27kΩ 1/16W J	1	
	R296	RK73HB1J332J	MG RESISTOR	3.3kΩ 1/16W J	1	
	R297	RK73HB1J103J	MG RESISTOR	10kΩ 1/16W J	1	
	R298	RK73HB1J103J	MG RESISTOR	10kΩ 1/16W J	1	
	R299	RK73HB1J223J	MG RESISTOR	22kΩ 1/16W J	1	
	R300	RK73HB1J682J	MG RESISTOR	6.8kΩ 1/16W J	1	
	R301	RK73HB1J562J	MG RESISTOR	5.6kΩ 1/16W J	1	
	R302	RK73HB1J562J	MG RESISTOR	5.6kΩ 1/16W J	1	

MODEL	MARK	MODEL	MARK	MODEL	MARK
KAC-511	K1	X502-1	K0	X502-1	W1

Safe	Symbol No.	Parts No.	Parts Name	Description	QTY	Local
	R303	RK73HB1J224J	MG RESISTOR	220kΩ 1/16W J	1	
	R304	RK73HB1J224J	MG RESISTOR	220kΩ 1/16W J	1	
	R305	RK73HB1J472J	MG RESISTOR	4.7kΩ 1/16W J	1	
	R306	RK73HB1J472J	MG RESISTOR	4.7kΩ 1/16W J	1	
	R307	RK73GB2A153J	MG RESISTOR	15kΩ 1/10W J	1	
	R308	RK73GB2A153J	MG RESISTOR	15kΩ 1/10W J	1	
	R311	RK73HB1J223J	MG RESISTOR	22kΩ 1/16W J	1	
	R312	RK73HB1J223J	MG RESISTOR	22kΩ 1/16W J	1	
	R313	RK73HB1J682J	MG RESISTOR	6.8kΩ 1/16W J	1	
	R314	RK73HB1J153J	MG RESISTOR	15kΩ 1/16W J	1	
	R315	RK73HB1J163J	MG RESISTOR	16kΩ 1/16W J	1	
	R316	RK73HB1J103J	MG RESISTOR	10kΩ 1/16W J	1	
	R318	RK73HB1J103J	MG RESISTOR	10kΩ 1/16W J	1	
	R321	RK73HB1J332J	MG RESISTOR	3.3kΩ 1/16W J	1	
	R322	RK73HB1J332J	MG RESISTOR	3.3kΩ 1/16W J	1	
	R323	RK73HB1J473J	MG RESISTOR	47kΩ 1/16W J	1	
	R324	RK73HB1J473J	MG RESISTOR	47kΩ 1/16W J	1	
	R325	RK73HB1J102J	MG RESISTOR	1kΩ 1/16W J	1	
	R326	RK73HB1J102J	MG RESISTOR	1kΩ 1/16W J	1	
	R331	RK73EB2E100J	MG RESISTOR	10Ω 1/4W J	1	
	R332	RK73EB2E100J	MG RESISTOR	10Ω 1/4W J	1	
	R333	RK73EB2E100J	MG RESISTOR	10Ω 1/4W J	1	
	R334	RK73EB2E100J	MG RESISTOR	10Ω 1/4W J	1	
	R343	RK73EB2E100J	MG RESISTOR	10Ω 1/4W J	1	
	R344	RK73EB2E100J	MG RESISTOR	10Ω 1/4W J	1	
	R345	RK73PB2H222J	MG RESISTOR	2.2kΩ 1/2W J	1	
	R346	RK73PB2H222J	MG RESISTOR	2.2kΩ 1/2W J	1	
	R347	RK73HB1J273J	MG RESISTOR	27kΩ 1/16W J	1	
	R348	RK73HB1J273J	MG RESISTOR	27kΩ 1/16W J	1	
	R351	RK73EB2E100J	MG RESISTOR	10Ω 1/4W J	1	
	R352	RK73EB2E100J	MG RESISTOR	10Ω 1/4W J	1	
	R353	RK73EB2E100J	MG RESISTOR	10Ω 1/4W J	1	
	R354	RK73EB2E100J	MG RESISTOR	10Ω 1/4W J	1	
	R371	RK73HB1J103J	MG RESISTOR	10kΩ 1/16W J	1	
	R372	RK73HB1J103J	MG RESISTOR	10kΩ 1/16W J	1	
	R373	RK73EB2E100J	MG RESISTOR	10Ω 1/4W J	1	
	R374	RK73EB2E100J	MG RESISTOR	10Ω 1/4W J	1	
	R375	RK73EB2E4R7J	MG RESISTOR	4.7Ω 1/4W J	1	
	R376	RK73EB2E4R7J	MG RESISTOR	4.7Ω 1/4W J	1	
	R377	RK73HB1J103J	MG RESISTOR	10kΩ 1/16W J	1	
	R378	RK73HB1J103J	MG RESISTOR	10kΩ 1/16W J	1	
	R379	RK73HB1J103J	MG RESISTOR	10kΩ 1/16W J	1	
	R380	RK73HB1J103J	MG RESISTOR	10kΩ 1/16W J	1	
	R381	RK73HB1J471J	MG RESISTOR	470Ω 1/16W J	1	
	R382	RK73HB1J471J	MG RESISTOR	470Ω 1/16W J	1	
	R384	RK73HB1J103J	MG RESISTOR	10kΩ 1/16W J	1	
	R385	RK73HB1J103J	MG RESISTOR	10kΩ 1/16W J	1	
	R386	RK73HB1J103J	MG RESISTOR	10kΩ 1/16W J	1	
	R387	RK73HB1J101J	MG RESISTOR	100Ω 1/16W J	1	
	R388	RK73HB1J101J	MG RESISTOR	100Ω 1/16W J	1	
	R391	RK73EB2E102J	MG RESISTOR	1kΩ 1/4W J	1	
	R392	RK73EB2E102J	MG RESISTOR	1kΩ 1/4W J	1	
	R393	RK73EB2E102J	MG RESISTOR	1kΩ 1/4W J	1	
	R394	RK73EB2E102J	MG RESISTOR	1kΩ 1/4W J	1	
	R401	RK73HB1J104J	MG RESISTOR	100kΩ 1/16W J	1	
	R402	RK73HB1J104J	MG RESISTOR	100kΩ 1/16W J	1	
	R403	RK73HB1J103J	MG RESISTOR	10kΩ 1/16W J	1	
	R404	RK73HB1J103J	MG RESISTOR	10kΩ 1/16W J	1	
	R405	RK73HB1J104J	MG RESISTOR	100kΩ 1/16W J	1	
	R406	RK73HB1J104J	MG RESISTOR	100kΩ 1/16W J	1	
	R407	RK73HB1J102J	MG RESISTOR	1kΩ 1/16W J	1	
	R408	RK73HB1J102J	MG RESISTOR	1kΩ 1/16W J	1	
	R409	RK73HB1J333J	MG RESISTOR	33kΩ 1/16W J	1	
	R410	RK73HB1J333J	MG RESISTOR	33kΩ 1/16W J	1	
	R411	RK73HB1J273J	MG RESISTOR	27kΩ 1/16W J	1	
	R412	RK73HB1J273J	MG RESISTOR	27kΩ 1/16W J	1	
	R413	RK73HB1J472J	MG RESISTOR	4.7kΩ 1/16W J	1	
	R414	RK73HB1J472J	MG RESISTOR	4.7kΩ 1/16W J	1	
	R421	RK73HB1J102J	MG RESISTOR	1kΩ 1/16W J	1	
	R431	RK73HB1J102J	MG RESISTOR	1kΩ 1/16W J	1	
	R433	RK73HB1J332J	MG RESISTOR	3.3kΩ 1/16W J	1	
	R434	RK73HB1J622J	MG RESISTOR	6.2kΩ 1/16W J	1	
	R435	RK73HB1J393J	MG RESISTOR	39kΩ 1/16W J	1	
	R436	RK73HB1J393J	MG RESISTOR	39kΩ 1/16W J	1	
	R437	RK73HB1J393J	MG RESISTOR	39kΩ 1/16W J	1	
	R438	RK73HB1J393J	MG RESISTOR	39kΩ 1/16W J	1	
	R451	RZ19E0AA20LJ	RESISTOR	20mΩ J	1	
	R452	RZ19E0AA20LJ	RESISTOR	20mΩ J	1	
	R501	RK73HB1J682J	MG RESISTOR	6.8kΩ 1/16W J	1	
	R502	RK73HB1J392J	MG RESISTOR	3.9kΩ 1/16W J	1	
	R503	RK73HB1J682J	MG RESISTOR	6.8kΩ 1/16W J	1	
	R504	RK73EB2E392J	MG RESISTOR	3.9kΩ 1/4W J	1	
	R505	RK73HB1J183J	MG RESISTOR	18kΩ 1/16W J	1	
	R506	RK73HB1J152J	MG RESISTOR	1.5kΩ 1/16W J	1	
	R507	RK73EB2E392J	MG RESISTOR	3.9kΩ 1/4W J	1	
	R512	RK73HB1J472J	MG RESISTOR	4.7kΩ 1/16W J	1	
	R513	RK73HB1J472J	MG RESISTOR	4.7kΩ 1/16W J	1	
	R551	RK73HB1J154J	MG RESISTOR	150kΩ 1/16W J	1	
	R552	RK73HB1J223J	MG RESISTOR	22kΩ 1/16W J	1	
	R553	RK73HB1J682J	MG RESISTOR	6.8kΩ 1/16W J	1	
	R554	RK73HB1J331J	MG RESISTOR	330Ω 1/16W J	1	
	R555	RK73HB1J333J	MG RESISTOR	33kΩ 1/16W J	1	

MODEL	MARK	MODEL	MARK	MODEL	MARK
KAC-511	K1	X502-1	K0	X502-1	W1

Safe	Symbol No.	Parts No.	Parts Name	Description	QTY	Local
	R556	RK73HB1J103J	MG RESISTOR	10kΩ 1/16W J	1	
	R557	RK73HB1J104J	MG RESISTOR	100kΩ 1/16W J	1	
	R558	RK73HB1J183J	MG RESISTOR	18kΩ 1/16W J	1	
	R561	RK73HB1J103J	MG RESISTOR	10kΩ 1/16W J	1	
	R562	RK73HB1J103J	MG RESISTOR	10kΩ 1/16W J	1	
	R563	RK73HB1J103J	MG RESISTOR	10kΩ 1/16W J	1	
	R565	RK73HB1J104J	MG RESISTOR	100kΩ 1/16W J	1	
	R566	RK73HB1J102J	MG RESISTOR	1kΩ 1/16W J	1	
	R571	RK73EB2E152J	MG RESISTOR	1.5kΩ 1/4W J	1	
	R581	RK73HB1J472J	MG RESISTOR	4.7kΩ 1/16W J	1	
	R582	RK73HB1J472J	MG RESISTOR	4.7kΩ 1/16W J	1	
	R583	RK73HB1J223J	MG RESISTOR	22kΩ 1/16W J	1	
	R584	RK73HB1J223J	MG RESISTOR	22kΩ 1/16W J	1	
	R588	RK73HB1J102J	MG RESISTOR	1kΩ 1/16W J	1	
	R601	RK73EB2E680J	MG RESISTOR	68Ω 1/4W J	1	
	R602	RK73EB2E680J	MG RESISTOR	68Ω 1/4W J	1	
	R603	RK73EB2E680J	MG RESISTOR	68Ω 1/4W J	1	
	R604	RK73EB2E680J	MG RESISTOR	68Ω 1/4W J	1	
	R605	RK73HB1J472J	MG RESISTOR	4.7kΩ 1/16W J	1	
	R606	RK73HB1J472J	MG RESISTOR	4.7kΩ 1/16W J	1	
	R607	RK73EB2E102J	MG RESISTOR	1kΩ 1/4W J	1	
	R608	RK73EB2E102J	MG RESISTOR	1kΩ 1/4W J	1	
	R621	RK73PB2H100J	MG RESISTOR	10Ω 1/2W J	1	
	R622	RK73PB2H100J	MG RESISTOR	10Ω 1/2W J	1	
	R625	RK73PB2H100J	MG RESISTOR	10Ω 1/2W J	1	
	R653	RK73EB2E473J	MG RESISTOR	47kΩ 1/4W J	1	
	R654	RK73EB2E473J	MG RESISTOR	47kΩ 1/4W J	1	
	R655	RK73PB2H100J	MG RESISTOR	10Ω 1/2W J	1	
	R656	RK73PB2H100J	MG RESISTOR	10Ω 1/2W J	1	
	R671	RK73EB2E4R7J	MG RESISTOR	4.7Ω 1/4W J	1	
	R672	RK73EB2E4R7J	MG RESISTOR	4.7Ω 1/4W J	1	
	R673	RK73EB2E332J	MG RESISTOR	3.3kΩ 1/4W J	1	
	R674	RK73EB2E332J	MG RESISTOR	3.3kΩ 1/4W J	1	
	R675	RK73HB1J101J	MG RESISTOR	100Ω 1/16W J	1	
	R676	RK73HB1J101J	MG RESISTOR	100Ω 1/16W J	1	
	R681	RK73HB1J100J	MG RESISTOR	10Ω 1/16W J	1	
	R682	RK73HB1J100J	MG RESISTOR	10Ω 1/16W J	1	
	R692	RK73EB2E4R7J	MG RESISTOR	4.7Ω 1/4W J	1	
	R694	RK73EB2E332J	MG RESISTOR	3.3kΩ 1/4W J	1	
	R696	RK73HB1J101J	MG RESISTOR	100Ω 1/16W J	1	
	R701	RK73HB1J102J	MG RESISTOR	1kΩ 1/16W J	1	
	R702	RK73EB2E682J	MG RESISTOR	6.8kΩ 1/4W J	1	
	R703	RK73HB1J683J	MG RESISTOR	68kΩ 1/16W J	1	
	R704	RK73HB1J333J	MG RESISTOR	33kΩ 1/16W J	1	
	R705	RK73HB1J101J	MG RESISTOR	100Ω 1/16W J	1	
	R706	RK73HB1J103J	MG RESISTOR	10kΩ 1/16W J	1	
	R707	RK73HB1J472J	MG RESISTOR	4.7kΩ 1/16W J	1	
	R708	RK73HB1J103J	MG RESISTOR	10kΩ 1/16W J	1	
	R709	RK73HB1J273J	MG RESISTOR	27kΩ 1/16W J	1	
	R711	RK73HB1J223J	MG RESISTOR	22kΩ 1/16W J	1	
	R712	RK73HB1J223J	MG RESISTOR	22kΩ 1/16W J	1	
	R801	RK73HB1J473J	MG RESISTOR	47kΩ 1/16W J	1	
	R802	RK73HB1J473J	MG RESISTOR	47kΩ 1/16W J	1	
	R803	RK73HB1J183J	MG RESISTOR	18kΩ 1/16W J	1	
	R804	RK73HB1J183J	MG RESISTOR	18kΩ 1/16W J	1	
	R807	RK73HB1J224J	MG RESISTOR	220kΩ 1/16W J	1	
	R808	RK73HB1J224J	MG RESISTOR	220kΩ 1/16W J	1	
	R811	RK73HB1J682J	MG RESISTOR	6.8kΩ 1/16W J	1	
	R812	RK73HB1J822J	MG RESISTOR	8.2kΩ 1/16W J	1	
	R821	RK73HB1J272J	MG RESISTOR	2.7kΩ 1/16W J	1	
	R822	RK73HB1J223J	MG RESISTOR	22kΩ 1/16W J	1	
	R930	RK73HB1J303J	MG RESISTOR	30kΩ 1/16W J	1	
	VR261	R3B-0021-00	V RESISTOR		1	
	VR271	R3B-0023-00	V RESISTOR		1	
	VR281	R3B-0022-00	V RESISTOR		1	
	L341	LR19E0CF150M	LEADED INDUCTOR		1	
	L342	LR19E0CF150M	LEADED INDUCTOR		1	
	T601	L1K-0025-00	CONVERT TRANS		1	
	CN101	EA120CJ-2010B	W TO B CONNE		1	
	J101	E6D-0028-00	PIN JACK		1	
	J181	E5J-0168-00	MODULAR JACK		1	
	J501	E7A-0023-00	SCREW TER.BOARD		1	
	S851	S6C-0010-00	SLIDE SWITCH		1	
	TH561	NCP18WB473J0S	N THERMISTOR	47kΩ	1	
	TH562	NCP18WB473J0S	N THERMISTOR	47kΩ	1	
	TH563	NCP18WB473J0S	N THERMISTOR	47kΩ	1	