



# 9. EXPLODED VIEWS AND PARTS LIST

NOTES : • Parts marked by " \* " are generally unavailable because they are not in our Master Spare Parts List.

• The  mark found on some component parts indicates the importance of the safety factor of the part. Therefore, when replacing, be sure to use parts of identical designation.

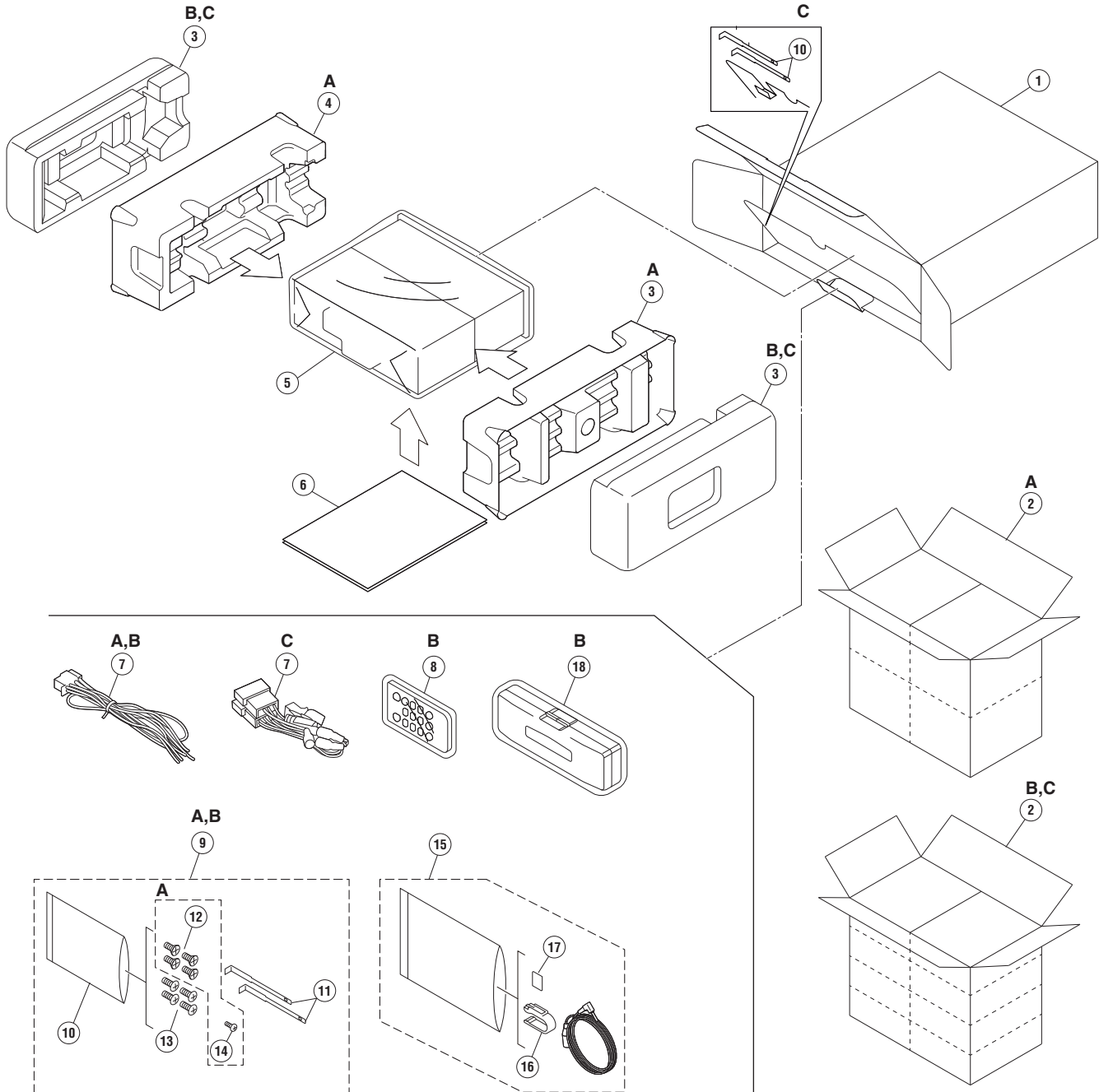
• Screw adjacent to  mark on the product are used for disassembly.

• For the applying amount of lubricants or glue, follow the instructions in this manual.

(In the case of no amount instructions, apply as you think it appropriate.)

## 9.1 PACKING SECTION

- A: DEH-S31BT/XNUC
- B: DEH-S3190BT/XNID
- C: DEH-S310BT/XEVEW5



**(1) PACKING SECTION PARTS LIST**

Mark	No.	Description	DEH-S31BT/XNUC	DEH-S3190BT/XNID	DEH-S310BT/XEVEW5
	1	Unit Box	QHG4359	QHG4360	QHG4358
	2	Contain Box	QHL4359	QHL4360	QHL4358
	3	Protector	CHP4103	QHP3048	QHP3048
	4	Protector	CHP4104	Not used	Not used
	5	Polyethylene Bag	CEG1173	QEG3001	QEG3001
	6-1	Owner's Manual	Not used	QRB3801	QRB3773
	6-2	Quick Start Guide	QRD3581	Not used	QRD3579
	6-3	Quick Start Guide	Not used	Not used	QRD3580
	6-4	Web IM	See Contents of Web IM(2)	See Contents of Web IM(2)	See Contents of Web IM(2)
*	6-5	Warranty Card	QRY3001	CRY1304	CRY1376
	7	Cord Assy	CDP1480	CDP1480	QDP3071
	8	Card Remote Control Unit	Not used	CXE9605	Not used
	9	Accessory Assy	QEA3337	QEA3338	Not used
*	10	Polyethylene Bag	CEG1160	CEG1160	Not used
	11	Handle	QNC3021	QNC3021	QNC3021
	12	Screw	CBA2383	Not used	Not used
	13	Screw	CBA2384	CBA2384	Not used
	14	Screw	BPZ20P060FTC	Not used	Not used
	15	Microphone Assy	CPM1109	CPM1109	CPM1109
	16	Holder	CZN7192	CZN7192	CZN7192
	17	Cushion	CZN7193	CZN7193	CZN7193
	18	Case Assy	Not used	QXA3129	Not used

**Owner's Manual, Installation Manual**

Part No.	Language
QRB3773	Russian
QRB3801	English
QRD3579	English, French, Italian
QRD3580	Spanish(Espanol), German, Dutch
QRD3581	English, French, Spanish(Espanol)

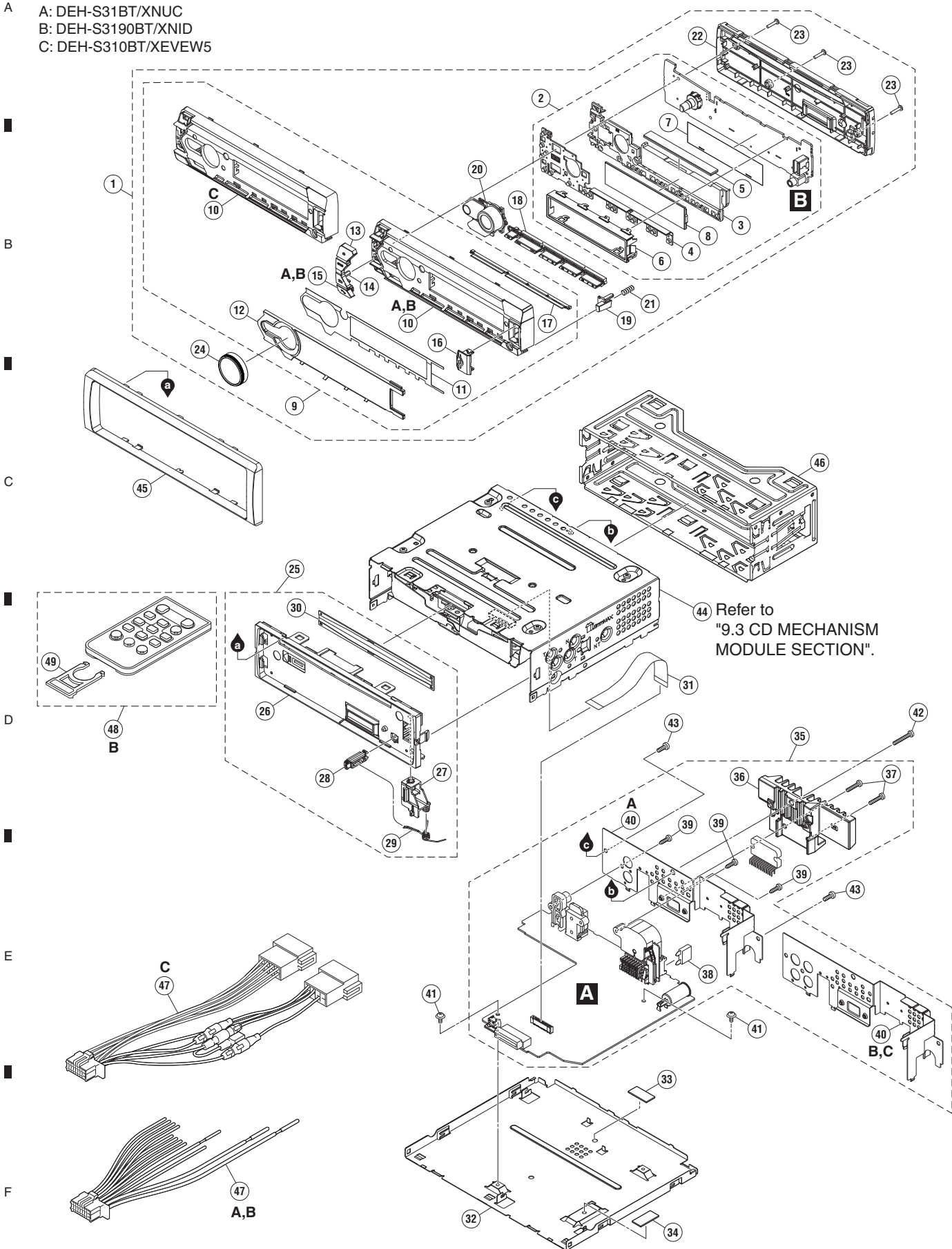
**(2) CONTENTS OF WEB IM**

Part No.	Language
*QRI3043(for XEVEW5)	English, French, Italian, Spanish(Espanol), German, Dutch
*QRI3044(for XNUC)	English, French, Spanish(Espanol)

All operation manuals are supplied in PDF files by the WEB. No printed papers are available.

# 9.2 EXTERIOR SECTION

- A: DEH-S31BT/XNUC
- B: DEH-S3190BT/XNID
- C: DEH-S310BT/XEVEW5



**(1) EXTERIOR SECTION PARTS LIST**

<u>Mark No.</u>	<u>Description</u>	<u>Part No.</u>	<u>Mark No.</u>	<u>Description</u>	<u>Part No.</u>
1	Detach Grille Assy	See Contrast table (2)	26	Panel	QNS4071
2	Keyboard Unit	See Contrast table (2)	27	Arm	QNV3025
3	Lighting Conductor	QNV3153	28	Button	QNV3026
4	Contact Rubber	QNV3155	29	Spring	QBH3001
5	Rubber Connector	QNV3129	30	Cover	QNM3029
6	Holder	QNC3173	31	FFC	QDE3029
7	Sheet	QNM3256	32	Case	QNB3055
8	Segment LCD(V1801)	CAW2065	33	Heat Cond Sheet	QNM3130
9	Grille Unit	See Contrast table (2)	34	Heat Cond Sheet	QNM3223
*	10 Grille	See Contrast table (2)	35	Tuner Amp Unit	See Contrast table (2)
*	11 DS Tape	See Contrast table (2)	36	Heat Sink	See Contrast table (2)
*	12 Plate	See Contrast table (2)	37	Screw	BSZ26P120FTC
*	13 Button(EJECT)	QAC3311	⚠ 38	Fuse (10 A)	CEK1415
*	14 Button(SOURCE,BACK)	QAC3312	39	Screw	BPZ26P080FTC
*	15 Button(PHONE)	See Contrast table (2)	40	Holder	See Contrast table (2)
*	16 Door	QAT3037	41	Screw	ASZ26P050FTC
*	17 Lighting Conductor	See Contrast table (2)	42	Screw	BSZ26P120FTC
18	Button(DISP,TRACK,1-6)	QAC3319	43	Screw	BSZ26P060FTC
19	Button(DETACH)	QAC3320	44	CD Mechanism Module(11.6VA_T07)	See Contrast table (2)
20	Button	See Contrast table (2)		CD Mechanism Module(S11.6_T07)	See Contrast table (2)
21	Spring	CBH2210		CD Mechanism Module(S11.6 VIETNAM)	See Contrast table (2)
22	Cover	QNS4296	45	Panel	QNS4341
23	Screw	BPZ20P100FTC	46	Holder	QNC3020
24	Knob Unit	QXA5430	47	Cord Assy	See Contrast table (2)
25	Panel Assy	See Contrast table (2)	48	Card Remote Control Unit	See Contrast table (2)
			49	Cover	See Contrast table (2)

**Notes: For No.44, please refer to "1.4 NOTES ON REPLACING PARTS" for part distinguish.**

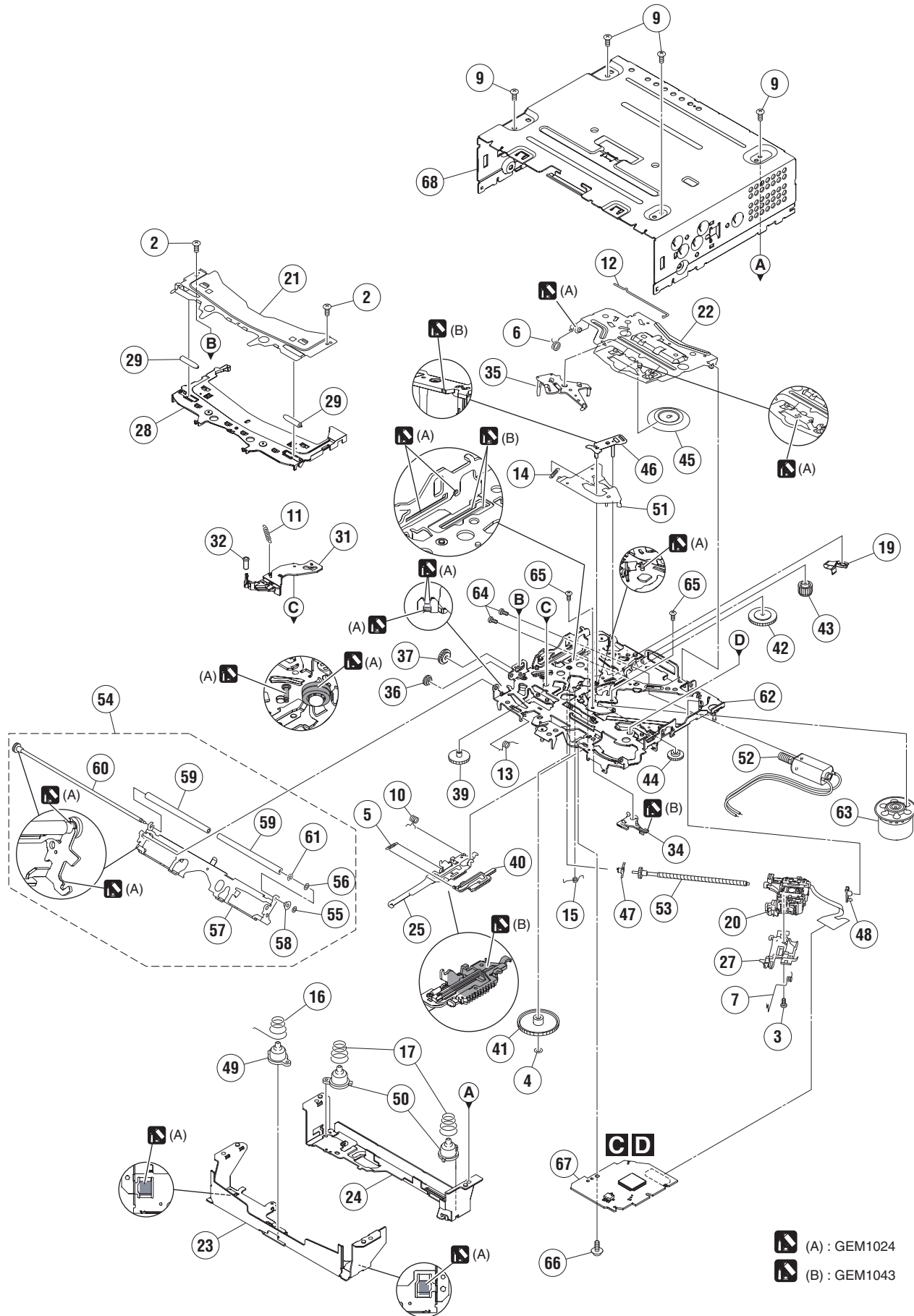
**(2) CONTRAST TABLE**

DEH-S31BT/XNUC, DEH-S3190BT/XNID and DEH-S310BT/XEVEW5 are constructed the same except for the following:

Mark	No.	Description	DEH-S31BT/XNUC	DEH-S3190BT/XNID	DEH-S310BT/XEVEW5
	1	Detach Grille Assy	QXA5792	QXA5793	QXA5791
	2	Keyboard Unit	QWM5169	QWM4987	QWM4986
	9	Grille Unit	QXA5442	QXA5443	QXA5441
*	10	Grille	QNS4294	QNS4294	QNS4343
*	11	DS Tape	QNM3231	QNM3231	QNM3253
*	12	Plate	QNS4295	QNS4295	QNS4349
*	15	Button(PHONE)	QAC3313	QAC3313	Not used
*	17	Lighting Conductor	QNV3154	QNV3157	QNV3157
	20	Button	QAC3314 (LIST/NAVI,BASS)	QAC3314 (LIST/NAVI,BASS)	QAC3315 (LIST/NAVI,PHONE)
	25	Panel Assy	QXA5292	QXA4716	QXA5294(Panel Unit)
	35	Tuner Amp Unit	QWM4930	QWM4931	QWM4929
	36	Heat Sink	QNR3010	QNR3002	QNR3010
	40	Holder	QNC3166	QNC3165	QNC3165
	44	CD Mechanism Module(11.6VA_T07)	CXK5808	CXK5808	Not used
		CD Mechanism Module(S11.6_T07)	CXK5807	CXK5807	Not used
		CD Mechanism Module(S11.6 VIETNAM)	Not used	Not used	CXK5835
	47	Cord Assy	CDP1480	CDP1480	QDP3071
	48	Card Remote Control Unit	Not used	CXE9605	Not used
	49	Cover	Not used	CNU3681	Not used

# 9.3 CD MECHANISM MODULE

A  
B  
C  
D  
E  
F



- (A) : GEM1024
- (B) : GEM1043

**(1) CD MECHANISM MODULE SECTION PARTS LIST**

<u>Mark No.</u>	<u>Description</u>	<u>Part No.</u>	<u>Mark No.</u>	<u>Description</u>	<u>Part No.</u>
1	•••••		36	Gear	CNW1180
2	Screw	BSZ20P040FTC	37	Gear	CNW1181
3	Screw(M2 x 4)	CBA1835	38	•••••	
4	Washer	CBF1038	39	Gear	CNW1183
5	Spring	CBH3010	40	Rack	CNW1184
6	Spring	CBH2855	41	Gear	CNW1185
7	Spring	CBH2856	42	Gear	CNW1186
8	•••••		43	Gear	CNW1187
9	Screw	BSZ26P060FTC	44	Gear	CNW2287
10	Spring	CBH3011	45	Clamper	CNW1190
11	Coil Spring	See Contrast table (2)	46	Arm	CNW1192
12	Spring	CBH3014	47	Holder	CNW1193
13	Spring	CBH3145	48	Holder	CNW1194
14	Spring	See Contrast table (2)	49	Damper	CNW1197
15	Spring	CBH3017	50	Damper	CNW1198
16	Spring	CBH3086	51	Arm	CNW1726
17	Spring	CBH3019	52	Motor Unit(M2)(LOAD/CRG)	CXC4026
18	•••••		53	Screw Unit	CXC8894
19	Leaf Spring	CBL1824	54	Arm Assy	CXE8953
20	Pickup Unit(P11)(Service)	See Contrast table (2)	55	Washer	CBF1037
21	Bracket	CND4553	56	Washer	CBF1038
22	Arm	CND7608	57	Arm	CND6242
23	Bracket	CND6127	58	Collar	CNW2444
24	Bracket	CND5710	59	Roller	CNW2500
25	Lever	CND6834	60	Gear Unit	CXE8952
26	•••••		61	Washer	YE15FTC
27	Rack	CNV8342	62	Chassis Unit	CXE9531
28	Guide	CNW3489	63	Motor Unit(M1)(SPDL)	See Contrast table (2)
29	Roller	CNW1172	64	Screw	JFZ20P025FTC
30	•••••		65	Screw	JGZ17P022FTC
31	Arm	CNW2241	66	Screw	EBA1028
32	Roller	CNW1175	67	CD Core Unit	See Contrast table (2)
33	•••••		68	Chassis	CNA3373
34	Arm	CNW1177			
35	Arm	CNW1178			

**Notes: For No.11, 14, 20, 63 and 67. please refer to "1.4 NOTES ON REPLACING PARTS" for part distinguish.**

**(2) CONTRAST TABLE**

DEH-S31BT/XNUC, DEH-S3190BT/XNID and DEH-S310BT/XEVEW5 are constructed the same except for the following:

Mark	No.	Symbol and Description	DEH-S31BT/XNUC DEH-S3190BT/XNID	DEH-S310BT/XEVEW5	
A	11	Coil Spring for CXK5835	Not used	CBH3149	
	11	Coil Spring for CXK5808	CBH3095	Not used	
	11	Coil Spring for CXK5807	CBH3095	Not used	
	14	Spring for CXK5835	Not used	CBH3148	
	14	Spring for CXK5808	CBH3016	Not used	
	14	Spring for CXK5807	CBH3016	Not used	
	20	Pickup Unit(P10.6)(Service) for CXK5835	Not used	CXX3556	
	20	Pickup Unit(P11)(Service) for CXK5808	CXX4754	Not used	
	20	Pickup Unit(P10.6)(Service) for CXK5807	CXX3556	Not used	
	63	Motor Unit(M1)(SPDL) for CXK5835	Not used	CXE3767	
	B	63	Motor Unit(M1)(SPDL) for CXK5808	CXE2273	Not used
		63	Motor Unit(M1)(SPDL) for CXK5807	CXE2273	Not used
		67	CD Core Unit(S11.6STD) for CXK5835	Not used	CWX4023
		67	CD Core Unit(S11.6VA) for CXK5808	CWX4269	Not used
67		CD Core Unit(S11.6STD) for CXK5807	CWX4023	Not used	

C

D

E

F

# 12. ELECTRICAL PARTS LIST

**NOTE:**

- Parts whose parts numbers are omitted are subject to being not supplied.
- The part numbers shown below indicate chip components.

*Chip Resistor*

RS1/○S○○○○J,RS1/○○S○○○J

*Chip Capacitor (except for CQS.....)*

CKS....., CCS....., CSZS.....

- Parts marked by " \* " are generally unavailable because they are not in our Master Spare Parts List.
- The ⚠ mark found on some component parts indicates the importance of the safety factor of the part. Therefore, when replacing, be sure to use parts of identical designation.
- The expression of the unit in this manual is shown by u instead of μ. Please do not make a mistake.

<u>Circuit Symbol and No.</u>	<u>Part No.</u>	<u>Circuit Symbol and No.</u>	<u>Part No.</u>
<b>A:DEH-S31BT/XNUC</b>		IC 1401	IC(C)
<b>B:DEH-S3190BT/XNID</b>		IC 1402	Op-amp IC(C)
<b>C:DEH-S310BT/XEVEW5</b>		Q 111	Resistor Built-in Transistor
<b>Unit Number: QWM4930(A)</b>		Q 141	Resistor Built-in Transistor
<b>Unit Number: QWM4931(B)</b>		Q 142	Resistor Built-in Transistor
<b>Unit Number: QWM4929(C)</b>		Q 201	Resistor Built-in Transistor
<b>Unit Name : Tuner Amp Unit</b>		Q 202	FET
<b>Unit Number: QWM5169(A)</b>		Q 203	Power MOS FET
<b>Unit Number: QWM4987(B)</b>		Q 204	Resistor Built-in Transistor
<b>Unit Number: QWM4986(C)</b>		Q 205	FET
<b>Unit Name : Keyboard Unit</b>		Q 301	Transistor
<b>Unit Number: CWX4269(A,B)</b>		Q 441	Transistor
<b>Unit Name : CD Core Unit (11.6VA)</b>		Q 442	Resistor Built-in Transistor
<b>Unit Number: CWX4023</b>		Q 1101	Resistor Built-in Transistor
<b>Unit Name : CD Core Unit(S11.6STD)</b>		Q 1242	Transistor
		Q 1243	Transistor(B,C)
		Q 1276	Bipolar Transistor(B)
		Q 1277	Bipolar Transistor(B)
		Q 1278	Bipolar Transistor(B)
		Q 1279	Bipolar Transistor(B)
		Q 1301	Transistor
		Q 1302	Resistor Built-in Transistor
		Q 1401	Transistor(C)
		Q 1403	Resistor Built-in Transistor(C)
		D 101	Diode
		D 102	Diode
		D 111	Zener Diode(A,B)
		D 111	Zener Diode(C)
		D 141	Zener Diode
		D 201	Schottky Diode
		D 202	Rectifier Diode
		D 203	Schottky Diode
		D 204	Rectifier Diode
		D 206	Schottky Diode
		D 207	Schottky Diode
		D 208	Schottky Diode
		D 210	Schottky Diode
		D 301	Zener Diode
		D 501	Schottky Diode(A,C)
		D 502	Schottky Diode(A,C)
		D 1001	Zener Diode
		D 1101	Zener Diode
		D 1201	Zener Diode
		TC4066BFT	
		NJM8065RB1	
		LTC014TEB	
		LTC014TEB	
		LTC014TEB	
		SSM3J332R	
		RRR040P03	
		LTC014TEB	
		SSM3J332R	
		2SCR514PGZE	
		2SAR502UB	
		LTC023YEB	
		LTC014EEB	
		IMH23	
		IMH23	
		EMD53	
		EMD53	
		EMD52	
		LTA023YEB	
		EMD52	
		LTC014EEB	
		D1F60-5053	
		D1F60-5053	
		UDZV6R8(B)	
		UDZV7R5(B)	
		UDZV7R5(B)	
		RB162MM-40TF	
		RR1VWM4STF	
		RB056LAM-40TF	
		RR1VWM4STF	
		CMS30I30A	
		RB751SM-40	
		RB751SM-40	
		RB162MM-40TF	
		UDZV10(B)	
		RB751SM-40	
		RB751SM-40	
		SZESD7351HG	
		UDZV18(B)	
		RSB6R8SM	

**Notes:**

For CD Core Unit, please refer to "1.4 NOTES ON REPLACING PARTS" for part distinguish.

**A**

**Unit Number: QWM4930(A)**  
**Unit Number: QWM4931(B)**  
**Unit Number: QWM4929(C)**  
**Unit Name : Tuner Amp Unit**

**MISCELLANEOUS**

IC 201	Power supply IC	BD49101ARFS
IC 501	Microprocessor IC	STA1080
IC 502	IC	S-80827CNMC-B8M
IC 711	RAM IC	M12L128168A-5TG2N
IC 731	ROM IC	M95512-RMN6P
IC 741	FlashROM Unit(A)	QVQ1052
IC 741	FlashROM Unit(B,C)	QVQ1057
IC 742	Flash Memory IC	W25Q16JVSSIQ
IC 761	E-VOL System LSI	BD37067FV
IC 851	Tuner IC	TEF6686AHN
IC 1301	Power Amp IC	TCB501HQ
IC 1302	Logic IC	TC7SH32FUS2

Circuit Symbol and No.Part No.Circuit Symbol and No.Part No.

D 1204 Zener Diode UDZV18(B)  
 D 1205 Zener Diode UDZV18(B)  
 D 1206 Zener Diode RSB6R8SM  
 D 1207 Zener Diode RSB6R8SM  
 D 1208 Zener Diode RSB6R8SM

D 1209 Zener Diode RSB6R8SM  
 D 1210 Zener Diode RSB6R8SM  
 D 1302 Schottky Diode RR1VWM4STF  
 D 1303 Schottky Diode RB751SM-40  
 L 101 Choke Coil 120 uH CTH1620

L 201 SMD SPL Inductor CTH1521  
 L 202 SMD SPL Inductor CTH1584  
 L 203 Chip Beads VTL1133  
 L 441 Inductor CTF1736  
 L 501 Chip Beads VTL1133

L 502 Inductor CTF1645  
 L 504 Chip Beads VTL1133  
 L 505 Chip Beads VTL1133  
 L 511 Chip Beads VTL1133  
 L 513 Chip Beads VTL1133

L 514 Chip Beads VTL1126  
 L 517 Chip Beads VTL1133  
 L 518 Chip Beads VTL1133  
 L 519 Chip Beads VTL1133  
 L 520 Chip Beads VTL1133

L 711 Chip Beads VTL1133  
 L 854 Inductor LCMAR27J1608  
 L 855 Inductor CTF1786  
 L 856 Inductor(A,C) CTF1787  
 L 857 SMD SPL Inductor(B) LCYAR82J2016

L 858 Chip Coil(B) LCTAWR27J2520  
 L 859 Chip Coil(B) LCTAWR27J2520  
 L 860 Inductor(A,C) LCYC150K1608  
 L 863 Inductor LCMAR22J1608  
 L 1001 Chip Ferrite Bead DTL1107

L 1101 Inductor CTF1787  
 L 1102 Chip Beads VTL1133  
 L 1103 Chip Beads VTL1133  
 L 1104 Chip Beads VTL1133  
 L 1201 Noise Filter CTF1901

L 1401 Ferrite Bead(C) CTF1528  
 X 501 Resonator 24 MHz CSS1773  
 X 502 Resonator 32.768 kHz CSS1807  
 X 851 Crystal Resonator 55.46667 MHz CSS1898  
 S 501 Switch(RESET) CSG1020

P 852 Surge Absorber IMSA-6803-01Y900  
 P 1243 Poly Switch FSMD075-24R  
 P 1276 Poly Switch FSMD075-24R  
 VA1101 SMD Varistor MLV0402ES012V0010N  
 VA1201 Varistors MLV0402ES012V0010N

VA1202 SMD Varistor MLV0402ES012V0010N  
 U 1001 BT Module CWX4751  
 CN1101 Connector(A,B) VKN1192  
 CN1101 Connector(C) CKS6763  
 CN1201 Connector CKS6452

JA101 Plug CKM1624  
 JA851 Antenna Jack CKX1104  
 JA1241 Jack(A) CKB1115  
 JA1241 Jack(B,C) CKB1109  
 JA1276 RCA Jack CKN1103

RESISTORS

R 111 XRS1/16SS223J  
 R 112 XRS1/16SS473J  
 R 113 (A,B) XRS1/16SS682J  
 R 113 (C) XRS1/16SS333J  
 R 114 (A,B) RS1/4SA102J  
 R 114 (C) RS1/4SA122J  
 R 141 XRS1/16SS104J  
 R 142 XRS1/16SS473J  
 R 143 XRS1/16SS103J  
 R 144 XRS1/16SS472J  
 R 145 XRS1/16SS0R0J  
 R 165 XRS1/10SR0R0J  
 R 201 XRS1/16SS102J  
 R 202 XRS1/16SS3303D  
 R 203 XRS1/10SR0R0J  
 R 204 XRS1/10SR0R0J  
 R 206 XRS1/16SS472J  
 R 207 XRS1/16SS103J  
 R 208 XRS1/16SS473J  
 R 209 XRS1/10SR472J  
 R 210 XRS1/16SS103J  
 R 211 XRS1/10SR472J  
 R 212 XRS1/16SS103J  
 R 213 XRS1/16SS132J  
 R 214 XRS1/16SS102J  
 R 215 XRS1/16SS2403D  
 R 216 XRS1/16SS7502D  
 R 217 XRS1/16SS4303D  
 R 218 XRS1/16SS4303D  
 R 219 XRS1/16SS273J  
 R 220 XRS1/16SS474J  
 R 221 XRS1/16SS473J  
 R 222 XRS1/16SS6802D  
 R 223 0.02 ohm CCN1401  
 R 224 XRS1/16SS6802D  
 R 225 XRS1/16SS102J  
 R 226 XRS1/16SS1203D  
 R 227 XRS1/16SS1802D  
 R 229 XRS1/16SS3902D  
 R 230 XRS1/16SS682J  
 R 231 XRS1/16SS4703D  
 R 232 XRS1/16SS1503D  
 R 233 XRS1/16SS1003D  
 R 234 XRS1/16SS7503D  
 R 235 XRS1/16SS1603D  
 R 236 XRS1/16SS103J  
 R 238 XRS1/16SS822J  
 R 239 XRS1/16SS101J  
 R 240 XRS1/16SS101J  
 R 241 XRS1/16SS680J  
 R 242 XRS1/16SS4701D  
 R 243 XRS1/16SS393J  
 R 244 XRS1/16SS103J  
 R 246 XRS1/10SR0R0J  
 R 248 XRS1/16SS473J  
 R 250 XRS1/10SR471J  
 R 263 XRS1/10SR103J

<u>Circuit Symbol and No.</u>	<u>Part No.</u>	<u>Circuit Symbol and No.</u>	<u>Part No.</u>
R 269	XRS1/16SS101J	R 573	XRS1/16SS473J
R 302	XRS1/16SS473J	R 574	XRS1/16SS473J
R 305	XRS1/10SR102J	R 575	XRS1/16SS473J
		R 577	XRS1/16SS182J
R 441	XRS1/16SS103J		
R 442	XRS1/10SR221J	R 578	XRS1/16SS473J
R 503	XRS1/16SS3R3J	R 579	XRS1/16SS473J
R 504	XRS1/16SS3R3J	R 580	XRS1/16SS473J
R 505	XRS1/16SS221J	R 581	XRS1/16SS0R0J
		R 583	XRS1/16SS0R0J
R 506	XRS1/16SS473J		
R 507	XRS1/16SS473J	R 584	XRS1/16SS102J
R 508	XRS1/16SS473J	R 585	XRS1/16SS0R0J
R 509	XRS1/16SS473J	R 586	XRS1/16SS103J
R 510	XRS1/16SS473J	R 587	XRS1/16SS102J
		R 588	XRS1/16SS221J
R 511	XRS1/16SS473J		
R 512	XRS1/16SS102J	R 589	XRS1/16SS0R0J
R 513	XRS1/16SS222J	R 590	XRS1/16SS221J
R 515	XRS1/16SS103J	R 591	XRS1/16SS361J
R 517	XRS1/16SS103J	R 593	XRS1/16SS0R0J
		R 594	XRS1/16SS0R0J
R 519	XRS1/16SS271J		
R 521	XRS1/16SS473J	R 596	XRS1/16SS0R0J
R 522	XRS1/16SS0R0J	R 597	XRS1/16SS102J
R 524	XRS1/16SS3001D	R 598	XRS1/16SS102J
R 525	XRS1/16SS103J	R 599	XRS1/16SS102J
		R 603	XRS1/16SS101J
R 526	XRS1/16SS1213F		
R 527	XRS1/16SS472J	R 604	XRS1/16SS101J
R 531	XRS1/16SS222J	R 605	XRS1/16SS101J
R 532	XRS1/16SS222J	R 611	XRS1/16SS472J
R 533	XRS1/10SR103J	R 614	XRS1/16SS473J
		R 615	XRS1/16SS103J
R 534	XRS1/10SR103J		
R 536	XRS1/16SS472J	R 617	XRS1/16SS473J
R 538 (A,B)	XRS1/16SS103J	R 627	XRS1/16SS153J
R 538 (C)	XRS1/16SS472J	R 628	XRS1/16SS153J
R 539 (A,B)	XRS1/16SS473JJ	R 629	XRS1/16SS472J
		R 630	XRS1/16SS101J
R 540	XRS1/16SS103J		
R 541	XRS1/16SS103J	R 631	XRS1/16SS0R0J
R 544	XRS1/16SS102J	R 632	XRS1/16SS101J
R 545	XRS1/16SS473J	R 633	XRS1/16SS101J
R 546	XRS1/16SS273J	R 634	XRS1/16SS101J
		R 635	XRS1/16SS101J
R 547	XRS1/16SS473J		
R 548	XRS1/16SS102J	R 636	XRS1/16SS101J
R 550	XRS1/16SS103J	R 637	XRS1/16SS221J
R 551	XRS1/16SS103J	R 638	XRS1/16SS221J
R 552	XRS1/16SS102J	R 640	XRS1/16SS101J
		R 642	XRS1/16SS221J
R 554	XRS1/16SS222J		
R 555	XRS1/16SS135J	R 643	XRS1/16SS101J
R 556	XRS1/16SS101J	R 644	XRS1/16SS473J
R 557	XRS1/16SS101J	R 645	XRS1/16SS101J
R 558	XRS1/16SS222J	R 646	XRS1/16SS101J
		R 647	XRS1/16SS102J
R 559	XRS1/16SS222J		
R 561	XRS1/16SS103J	R 648	XRS1/16SS102J
R 562	XRS1/16SS472J	R 650	XRS1/16SS101J
R 563	XRS1/16SS472J	R 652	XRS1/16SS101J
R 564	XRS1/16SS472J	R 653	XRS1/16SS0R0J
		R 657	XRS1/16SS101J
R 566	RAB4CQ103J		
R 567	XRS1/16SS472J	R 658	XRS1/16SS101J
R 568	XRS1/16SS0R0J	R 659	XRS1/16SS101J
R 570	XRS1/16SS221J	R 660	XRS1/16SS101J
R 571	XRS1/16SS221J	R 661	XRS1/16SS101J
		R 663	XRS1/16SS101J
R 572	XRS1/16SS472J		

	<u>Circuit Symbol and No.</u>	<u>Part No.</u>	<u>Circuit Symbol and No.</u>	<u>Part No.</u>
	R 664	XRS1/16SS101J		
	R 665	XRS1/16SS222J	R 1005	XRS1/16SS221J
A	R 672	XRS1/16SS101J	R 1006	XRS1/16SS0R0J
	R 690	XRS1/16SS472J	R 1007	XRS1/16SS0R0J
	R 714	RAB4CQ121J	R 1011	XRS1/16SS221J
			R 1012	XRS1/16SS221J
	R 715	RAB4CQ121J		
	R 716	RAB4CQ121J	R 1013	XRS1/16SS0R0J
	R 717	RAB4CQ121J	R 1017	XRS1/16SS473J
	R 718	RAB4CQ121J	R 1018	XRS1/16SS473J
	R 719	RAB4CQ121J	R 1101	XRS1/16SS104J
			R 1104	XRS1/16SS472J
	R 720	RAB4CQ121J		
	R 721	RAB4CQ121J	R 1105	XRS1/16SS221J
	R 722	RAB4CQ121J	R 1106	XRS1/16SS221J
B	R 723	XRS1/10SR0R0J	R 1107	XRS1/16SS101J
	R 724	XRS1/16SS121J	R 1108	XRS1/16SS221J
			R 1109	XRS1/16SS101J
	R 731	XRS1/16SS330J		
	R 732	XRS1/16SS330J	R 1110	XRS1/16SS102J
	R 733	XRS1/16SS103J	R 1112	XRS1/16SS221J
	R 734	XRS1/16SS103J	R 1114	XRS1/16SS473J
	R 735	XRS1/16SS103J	R 1115	XRS1/16SS472J
			R 1116	XRS1/16SS472J
	R 736	XRS1/16SS330J		
	R 737	XRS1/16SS330J	R 1117	XRS1/16SS472J
	R 741	XRS1/16SS330J	R 1119	XRS1/16SS473J
	R 742	XRS1/16SS103J	R 1120	XRS1/16SS151J
C	R 743	XRS1/16SS103J	R 1121	XRS1/16SS151J
			R 1122	XRS1/16SS151J
	R 744	XRS1/16SS330J		
	R 745	XRS1/16SS330J	R 1201	XRS1/10SR222J
	R 746	XRS1/16SS103J	R 1203	XRS1/16SS223J
	R 747	XRS1/16SS330J	R 1204	XRS1/16SS223J
	R 748	XRS1/16SS330J	R 1205	XRS1/10SR222J
			R 1206	XRS1/10SR221J
	R 749	XRS1/16SS330J		
	R 750	XRS1/16SS103J	R 1207	XRS1/10SR221J
	R 751	XRS1/16SS103J	R 1208	XRS1/10SR0R0J
	R 753	XRS1/16SS103J	R 1209	XRS1/10SR222J
	R 754	XRS1/16SS330J	R 1210	XRS1/10SR222J
			R 1211	XRS1/10SR222J
D	R 755	XRS1/16SS0R0J		
	R 756	XRS1/16SS0R0J	R 1212	XRS1/10SR222J
	R 757	XRS1/16SS0R0J	R 1213	XRS1/16SS123J
	R 761	XRS1/10SR221J	R 1214	XRS1/10SR222J
	R 763	XRS1/16SS101J	R 1215	XRS1/10SR101J
			R 1220	XRS1/16SS0R0J
	R 764	XRS1/16SS101J		
	R 766	XRS1/16SS0R0J	R 1221	XRS1/16SS0R0J
	R 767	XRS1/16SS104J	R 1222 (B,C)	XRS1/16SS0R0J
	R 768	XRS1/16SS181J	R 1223 (B,C)	XRS1/16SS0R0J
	R 851	XRS1/16SS105J	R 1243	XRS1/16SS821J
			R 1244	XRS1/16SS821J
E	R 852	XRS1/16SS105J		
	R 853 (A,C)	XRS1/16SS391J	R 1245 (B,C)	XRS1/16SS821J
	R 853 (B)	XRS1/16SS101J	R 1246 (B,C)	XRS1/16SS821J
	R 863	XRS1/16SS103J	R 1247 (B,C)	XRS1/16SS223J
	R 868	XRS1/16SS103J	R 1248 (B,C)	XRS1/16SS223J
			R 1249	XRS1/16SS223J
	R 870	XRS1/16SS101J		
	R 871	XRS1/16SS0R0J	R 1250	XRS1/16SS223J
	R 872	XRS1/16SS0R0J	R 1254	XRS1/16SS0R0J
	R 873	XRS1/16SS182J	R 1256 (B,C)	XRS1/16SS0R0J
	R 874	XRS1/16SS101J	R 1276 (B)	XRS1/16SS8201D
			R 1277 (B)	XRS1/16SS6800D
	R 875	XRS1/16SS472J		
F	R 890	XRS1/16SS0R0J	R 1278 (A,C)	XRS1/16SS102J
	R 1001	XRS1/16SS0R0J	R 1278 (B)	XRS1/16SS1001D
	R 1002	XRS1/16SS221J	R 1279 (B)	XRS1/16SS6800D
	R 1004	XRS1/16SS473J	R 1280 (A,C)	XRS1/16SS102J

<u>Circuit Symbol and No.</u>	<u>Part No.</u>	<u>Circuit Symbol and No.</u>	<u>Part No.</u>
R 1280 (B)	XRS1/16SS1001D	C 213	CKSSYB222K50
		C 214	CKSRYX106M6R3
R 1281	XRS1/16SS101J		
R 1282	XRS1/16SS101J	C 215	CKSSYB104K16
R 1283 (B)	XRS1/16SS8201D	C 216	CKSSYX104K50
R 1301	XRS1/16SS123J	C 218	CKSYX106K35
R 1302	XRS1/16SS103J	C 220	CKSYX106K35
		C 221	CKSYX106K35
R 1303	XRS1/16SS221J		
R 1306	XRS1/16SS103J	C 222	CEVW221M16
R 1307	XRS1/16SS0R0J	C 223	CCSSCH221J50
R 1308	RS1/8SQ0R0J	C 224	CKSRYX105K16
R 1309	RS1/8SQ0R0J	C 225	CKSRYX105K16
		C 227	CCSSCH221J50
R 1312	XRS1/16SS103J		
R 1313	XRS1/16SS102J	C 228	CKSSYB102K50
R 1321	XRS1/16SS0R0J	C 230	CKSQYX106K10
R 1322	XRS1/16SS0R0J	C 231	CKSSYB104K16
R 1323	XRS1/16SS0R0J	C 232	CEHVW101M6R3
		C 234	CKSRYX475K6R3
R 1324	XRS1/16SS0R0J		
R 1401 (C)	XRS1/16SS221J	C 236	CKSYX106K35
R 1402 (C)	XRS1/16SS102J	C 237	CKSSYB104K16
R 1403 (C)	XRS1/16SS103J	C 238	CKSYX226M16
R 1407 (C)	XRS1/16SS272J	C 239	CCSSCH100D50
		C 240	CCSSCH100D50
R 1408 (C)	XRS1/16SS332J		
R 1409 (C)	XRS1/16SS333J	C 241	CKSQYX106K10
R 1410 (C)	XRS1/16SS163J	C 242	CKSSYB104K16
R 1411 (C)	XRS1/16SS824J	C 243	CKSYX106K35
R 1412 (C)	XRS1/16SS563J	C 244	CKSSYB102K50
		C 245	CKSYX106K35
R 1413 (C)	XRS1/16SS0R0J		
R 1414 (C)	XRS1/16SS0R0J	C 246	CKSRYX104K50
R 1415 (C)	XRS1/16SS273J	C 247	CKSSYX105K10
R 1416	XRS1/10SR0R0J	C 248	CKSRYX105K50
R 1421 (A,B)	XRS1/16SS0R0J	C 249	CCSSCH820J50
		C 250	CKSRYX225K10
R 1422 (A,B)	XRS1/16SS0R0J		
R 1428 (C)	XRS1/16SS0R0J	C 251	CKSSYX105K10
R 1431	XRS1/10SR0R0J	C 252	CKSRYX475K6R3
		C 253	CKSRYX105K50
		C 255	CKSSYX105K6R3
		C 257	CKSYX106K35
<b><u>CAPACITORS</u></b>			
C 101 2 200 uF/16V	CCH1659		
C 102	CKSRYB103K50	C 259	CKSQYX106K10
C 103	CKSSYB102K50	C 260	CKSQYX106K10
C 104	CKSSYB102K50	C 261	CKSSYB104K10
C 105	CKSSYB102K50	C 267	CKSSYB104K16
		C 270	CKSRYX475K6R3
C 106	CKSSYB102K50		
C 107	CKSSYB102K50	C 301	CKSSYB104K16
C 108	CKSSYB102K50	C 302	CKSSYB104K16
C 109	CKSSYB102K50	C 441	CCSSCH101J50
C 110	CKSSYB102K50	C 442	CKSRYX106M6R3
		C 443	CCSSCH101J50
C 111	CKSRYX104K50		
C 201	CKSSYB681K50	C 444	CKSRYX106M6R3
C 202	CEVW221M16	C 502	CKSSYB104K10
C 203	CKSRYX106M6R3	C 503	CKSRYX475K6R3
C 204	CEVQW221M6R3	C 505	CKSSYB104K10
		C 506	CKSRYX475K6R3
C 205	CKSRYX105K50		
C 206	CKSYX106K35	C 507	CKSRYX475K6R3
C 207	CKSSYB104K10	C 508	CKSSYB104K10
C 208	CCSSCH471J50	C 509	CKSRYX475K6R3
C 209	CKSSYB681K50	C 510	CKSSYB104K10
		C 511	CKSRYX475K6R3
C 210 2 200 uF/16V	CCH1659		
C 211	CKSQYX106K10	C 512	CKSSYB104K10
C 212	CEAT102M16	C 513	CKSRYX475K6R3

Circuit Symbol and No.Part No.Circuit Symbol and No.Part No.

	C 514	CKSSYB104K10	C 721		CKSSYX105K16
	C 515	CKSSYX105K10	C 722		CKSSYB104K10
A	C 516	CKSRYX225K16	C 723		CKSSYB102K50
			C 729		CKSQYX106K10
	C 517	CKSSYB104K10			
	C 518	CCSSCH100D50	C 731		CKSSYB104K10
	C 519	CCSSCH100D50	C 741		CKSRYX225K10
	C 520	CKSRYX475K6R3	C 742		CKSSYB104K10
	C 521	CKSSYB104K10	C 743		CKSSYB104K10
			C 761		CKSRYX105K16
	C 522	CKSRYX475K6R3			
	C 523	CKSRYX475K6R3	C 762		CKSRYX105K16
	C 524	CKSRYX475K6R3	C 763		CKSRYX105K16
	C 525	CKSRYX106M6R3	C 767 (C)		CKSRYX105K16
	C 526	CKSSYB103K16	C 768 (C)		CKSRYX105K16
			C 769		CKSRYX105K16
B	C 527	CKSRYX106M6R3			
	C 528	CKSSYB103K16	C 770		CKSRYX105K16
	C 529	CKSSYB104K10	C 771		CKSRYX105K16
	C 530	CKSRYX475K6R3	C 772		CKSRYX105K16
	C 531	CKSSYX105K10	C 773		CKSRYX105K16
			C 774		CCSSCH151J50
	C 532	CKSSYX105K10			
	C 533	CKSRYX475K6R3	C 775		CCSSCH151J50
	C 534	CKSSYB104K10	C 776		CKSSYX104K50
	C 535	CEVW221M10	C 777		CKSYX106K35
	C 536	CCSSCH101J50	C 778 (C)		CKSRYX105K16
			C 779		CKSQYX106K10
C	C 537	CKSSYB103K16			
	C 538	CKSRYX106M6R3	C 780		CKSSYB104K16
	C 539	CKSSYB103K16	C 781		CKSRYX105K16
	C 540	CKSRYX106M6R3	C 782		CKSRYX105K16
	C 541	CKSSYB222K50	C 783		CKSRYX105K16
			C 784		CKSRYX105K16
	C 542	CKSSYB104K10			
	C 543	CKSSYX105K10	C 785		CKSRYX105K16
	C 544	CKSSYB473K16	C 787		CKSQYX106K16
	C 545	CCSSCH100D50	C 788		CKSQYX106K16
	C 546	CCSSCH120J50	C 790		CKSRYX106M6R3
			C 791		CKSSYB103K25
	C 551	CKSSYB104K10			
D	C 552	CKSRYX475K6R3	C 794		CCSSCH101J50
	C 553	CKSRYX106M6R3	C 853		CCSSCH120J50
	C 555	CKSSYB103K16	C 854		CCSSCH471J50
	C 556	CKSSYB104K10	C 856		CKSSYX104K50
			C 857		CKSSYX104K50
	C 559	CKSQYB224K50			
	C 560	CKSSYB103K16	C 858		CCSSCH5R0C50
	C 565	CCSSCH270J50	C 859		CCSSCH120J50
	C 566	CCSSCH330J50	C 860 (B)		CCSSCK2R0C50
	C 575	CKSSYB104K10	C 861 (B)		CCSSCK1R0C50
			C 862 (B)		CCSSCK1R0C50
	C 576	CKSSYB102K50			
	C 580	CKSRYX104K50	C 863 (B)		CCSSCH120J50
E	C 588	CKSSYB104K10	C 865		CKSRYX225K10
	C 590	CKSSYB472K25	C 866		CKSSYB224K6R3
	C 591	CKSSYB472K25	C 867		CKSSYB102K50
			C 870		CKSSYB102K50
	C 592	CKSSYB472K25			
	C 593	CKSSYB472K25	C 872		CKSSYB104K10
	C 595	CKSSYB472K25	C 874		CCSSCH180J50
	C 712	CKSSYX105K10	C 875		CKSSYB104K10
	C 713	CKSSYB104K10	C 878		CKSSYB152K50
			C 882		CKSSYX105K10
	C 714	CKSSYX105K10			
	C 715	CKSSYX105K10	C 884		CKSSYB104K16
	C 716	CKSSYX105K10	C 885 (A,C)		CKSRYB103K50
F	C 717	CKSRYX475K6R3	C 890		CKSRYX106M6R3
	C 718	CKSSYX105K10	C 891		CKSRYX225K10
			C 1003		CKSSYB104K16
	C 719	CKSSYB104K10			

<u>Circuit Symbol and No.</u>		<u>Part No.</u>	<u>Circuit Symbol and No.</u>	<u>Part No.</u>
C 1004		CKSSYB104K16	<b>B</b> <b>Unit Number: QWM5169(A)</b> <b>Unit Number: QWM4987(B)</b> <b>Unit Number: QWM4986(C)</b> <b>Unit Name : Keyboard Unit</b>	A
C 1101		CKSSYB103K16		
C 1105		CKSSYX105K10		
C 1106		CKSSYX105K10		
C 1109		CKSSYB102K50		
C 1201	1 000 pF	CCG1345		
C 1202		CKSSYX104K50		
C 1203		CKSRX104K50		
C 1204		CKSRX105K16		
C 1205		CCSRCH221J50		
C 1206		CCSRCH221J50	IC 1801 Driver IC	BU97540KV-M
C 1210		CKSRX105K16	IC 1851 IR RC REC Module(A,B)	SIR8440B5
C 1212		CCSSCH470J50	Q 1953 Transistor	2SAR502UB
C 1217		CCSSCH121J50	Q 1954 Transistor	LTC143EUB
C 1221		CKSYX106K35	D 1801 Zener Diode	RSB6R8SM
C 1243		CKSQYX106K10	D 1802 Zener Diode	RSB6R8SM
C 1244		CKSQYX106K10	D 1901 Zener Diode	SZESD7351HG
C 1245	(B,C)	CKSQYX106K10	D 1902 Zener Diode	SZESD7351HG
C 1246	(B,C)	CKSQYX106K10	D 1951 White LED	SWBA05(FI231719)
C 1247	(B,C)	CKSSYB102K50	D 1952 LED(B)	FC-F1608BAK5
C 1248	(B,C)	CKSSYB102K50	D 1953 LED(B)	FC-F1608BAK5
C 1249		CKSSYB102K50	D 1954 LED(B)	FC-F1608BAK5
C 1250		CKSSYB102K50	D 1955 LED(B)	FC-F1608BAK5
C 1253		CKSSYB103K16	D 1956 LED(B)	FC-F1608BAK5
C 1254		CKSSYB104K10	D 1957 LED(B)	FC-F1608BAK5
C 1255		CKSSYB331K50	D 1958 LED(B)	FC-F1608BAK5
C 1256		CKSSYX105K10	D 1959 LED(B)	FC-F1608BAK5
C 1276		CKSSYB104K16	D 1960 LED(B)	FC-F1608BAK5
C 1277		CKSSYB104K16	D 1961 LED(B)	FC-F1608BAK5
C 1278		CKSSYB104K16	D 1962 LED(B)	FC-F1608BAK5
C 1279		CKSSYB104K16	D 1963 LED(B)	FC-F1608BAK5
C 1280		CKSSYB102K50	D 1964 LED(B)	FC-F1608BAK5
C 1281		CKSSYB102K50	D 1965 LED(B)	FC-F1608BAK5
C 1301		CKSQYB474K25	D 1966 LED(B)	FC-F1608BAK5
C 1302		CKSQYB474K25	D 1967 LED(B)	FC-F1608BAK5
C 1303		CKSQYB474K25	D 1968 LED(B)	FC-F1608BAK5
C 1304		CKSQYB474K25	D 1969 Red LED(A,C)	FC-1608SXX630D08
C 1305		CKSSYB104K10	D 1970 Red LED(A,C)	FC-1608SXX630D08
C 1306		CKSRX104K10	D 1971 Red LED(A,C)	FC-1608SXX630D08
C 1308		CKSRX104K50	D 1972 Red LED(A,C)	FC-1608SXX630D08
C 1310		CKSQYX106K16	D 1973 Red LED(A,C)	FC-1608SXX630D08
C 1311		CKSRX225K10	D 1974 Red LED(A,C)	FC-1608SXX630D08
C 1312		CKSRX104K50	D 1975 Red LED(A,C)	FC-1608SXX630D08
C 1317		CKSRX104K50	D 1976 Red LED(A,C)	FC-1608SXX630D08
C 1318		CKSRX104K50	D 1977 Red LED(A,C)	FC-1608SXX630D08
C 1321		CKSRX106M6R3	D 1978 Red LED(A,C)	FC-1608SXX630D08
C 1401	(C)	CKSSYB104K10	D 1979 Red LED(A,C)	FC-1608SXX630D08
C 1403	(C)	CKSRX106M6R3	D 1980 Red LED(A,C)	FC-1608SXX630D08
C 1404	(C)	CKSSYB104K10	D 1981 Red LED(A,C)	FC-1608SXX630D08
C 1405	(C)	CKSSYX105K10	D 1982 Red LED(A,C)	FC-1608SXX630D08
C 1406	(C)	CKSSYB104K10	D 1983 Red LED(A,C)	FC-1608SXX630D08
C 1407	(C)	CKSSYB182K50	D 1984 Red LED(A,C)	FC-1608SXX630D0
C 1408	(C)	CKSRX105K25	D 1985 Red LED(A,C)	XRS1/10SR0R0J
C 1409	(C)	CKSSYX105K10	L 1922 SMD MOX R	XRS1/10SR0R0J
C 1410	(C)	CCSSCH6R0D50	L 1923 SMD MOX R	XRS1/10SR0R0J
C 1411	(C)	CKSSYB102K50	S 1839 Rotary Encoder(MULTI-CONTROL)	CSD1212
C 1412	(C)	CKSSYB104K10	CN1941 Connector	CKS6451
C 1421	(C)	CKSRX105K16	JA 1901 Connector	CKS6443
C 1422	(C)	CKSRX105K16	JA 1921 Jack	CKN1090
C 1424		CKSRX105K16	V 1801 Segment LCD	CAW2065
		CKSRX474K10		

Circuit Symbol and No.Part No.Circuit Symbol and No.Part No.

CN701 Connector

CKS6146

RESISTORSRESISTORS

A	R 1802	XRS1/10SR472J
	R 1821	XRS1/10SR273J
	R 1851 (C)	XRS1/10SR473J
	R 1854 (A,B)	XRS1/10SR101J
	R 1941	XRS1/10SR222J

R 101	RS1/10SR2R4J
R 102	RS1/10SR2R4J
R 103	RS1/10SR2R7J
R 108	RS1/16SS105J
R 109	RS1/16SS152J

R 1942	XRS1/10SR222J
R 1943	XRS1/10SR222J
R 1944	XRS1/10SR222J
R 1956 (B)	XRS1/10SR392J
R 1958 (B)	XRS1/10SR561J

R 214	RS1/16SS103J
R 215	RS1/16SS393J
R 216	RS1/16SS102J
R 217	RS1/16SS562J
R 218	RS1/16SS472J

B	R 1960 (B)	XRS1/10SR331J
	R 1962 (B)	XRS1/10SR471J
	R 1964 (B)	XRS1/10SR392J
	R 1966 (B)	XRS1/10SR392J
	R 1968 (B)	XRS1/10SR392J

R 229	RS1/16SS471J
R 232	RS1/16SS0R0J
R 237	RS1/16SS221J
R 240	RS1/16SS473J
R 245	RS1/16SS104J

R 1970 (B)	XRS1/10SR332J
R 1972 (B)	XRS1/10SR332J
R 1974 (A,C)	XRS1/10SR102J
R 1976 (A,C)	XRS1/10SR152J
R 1977 (A,C)	RS1/4SA561J

R 254	RS1/16SS104J
R 260	RS1/16SS103J
R 264	RS1/16SS102J
R 281	RS1/16SS560J
R 282	RS1/16SS560J

C	R 1980 (A,C)	XRS1/10SR102J
	R 1982 (A,C)	XRS1/10SR122J
	R 1984 (A,C)	XRS1/10SR821J
	R 1986 (A,C)	XRS1/10SR821J
	R 1988 (A,C)	XRS1/10SR681J

R 291	RS1/16SS560J
R 294	RS1/16SS471J
R 303	RS1/16SS123J
R 304	RS1/16SS123J
R 305	RS1/16SS102J

R 1990 (A,C)	XRS1/10SR681J
R 1991 (B)	XRS1/10SR0R0J
R 1996 (A,C)	XRS1/10SR0R0J
R 1998	XRS1/10SR272J
R 1999	XRS1/10SR103J

R 306	RS1/16SS472J
R 307	RS1/16SS102J
R 308	RS1/16SS472J
R 309	RS1/16SS473J
R 310	RS1/16SS472J

D	R 2001	XRS1/10SR0R0J
	R 2002	RS1/8SQ181J
	R 2003	RS1/8SQ181J

R 311	RS1/16SS472J
R 312	RS1/16SS472J
R 313	RS1/16SS472J
R 701	RS1/16SS101J
R 702	RS1/16SS101J

CAPACITORS

C 1801	CKSRYX105K16
C 1802	CKSRYB104K25
C 1851 (A,B)	CKSQYX106K10
C 1901 (B,C)	CCSRCH471J50
C 1902	CKSRYX475K6R3

CAPACITORS

C 1905	CKSRYX105K16
C 1923 1 000 pF	CCG1345

C 104	CKSQYB475K6R3
C 110	CKSSYB104K10
C 111	CKSSYB103K16
C 203	CKSSYB104K10
C 205	CKSRYB105K10

**C**  
**Unit Number: CWX4269(A,B)**  
**Unit Name : CD Core Unit (11.6VA)**

MISCELLANEOUS

IC 201	Mask UC IC	PEQ094A
IC 301	Driver IC	BD8223EFV
Q 101	Transistor	2SAR502UB
Q 102	Chip Digital Transistor	LTA123JUB
X 201	Ceramic Resonator 16.934 MHz	CSS1603

C 209	CKSRYB104K16
C 210	CKSSYB104K10
C 211	CKSSYB104K10
C 212	CKSSYB104K10
C 213	CKSSYB332K50

F	S 901	Lever Switch(HOME)	CSN1090	C 214	CKSSYB473K16
	S 903	Spring Switch(DSCSNS)	CSN1081	C 215	CKSSYB104K10
	CN101	Connector	CKS4808	C 216	CKSSYB152K50
				C 217	CCSSCH390J50
				C 218	CCSSCH5R0C50
				C 219	CKSSYB104K10
				C 220	CKSSYB104K10
				C 221	CKSSYB104K10

<u>Circuit Symbol and No.</u>	<u>Part No.</u>	<u>Circuit Symbol and No.</u>	<u>Part No.</u>
C 222	CKSSYB104K10	R 303	RS1/16SS123J
C 223	CCSSCH680J50	R 304	RS1/16SS123J
		R 305	RS1/16SS102J
C 224	CCSSCH470J50		
C 225	CKSSYB103K16	R 306	RS1/16SS472J
C 228	CCSSCH180J50	R 307	RS1/16SS102J
C 229	CKSSYB104K10	R 308	RS1/16SS472J
C 233	CKSSYB103K16	R 309	RS1/16SS473J
		R 310	RS1/16SS472J
C 236	CKSSYB104K10		
C 238	CKSRYB104K16	R 311	RS1/16SS472J
C 299	CKSSYB104K10	R 312	RS1/16SS472J
C 302	CKSSYB102K50	R 313	RS1/16SS472J
C 303	CKSSYB102K50	R 701	RS1/16SS101J
		R 702	RS1/16SS101J
C 304	CKSSYB223K16		
C 305	CKSSYB104K10	R 706	RS1/16SS221J
C 306	CKSSYB104K10		
C 307	CKSRYB105K10		
C 308	CKSRYB105K10		
C 710	CKSSYB102K50		



**Unit Number: CWX4023**

**Unit Name : CD Core Unit(S11.6STD)**

### MISCELLANEOUS

IC 201	Mask UC IC	PE5791A
IC 301	Driver IC	BD8223EFV
Q 101	Transistor(A,B)	2SAR502UB
Q 101	Transistor(C)	2SA1577
Q 102	Chip Digital Transistor	LTA123JUB
X 201	Ceramic Resonator 16.934 MHz	CSS1603
S 901	Lever Switch(HOME)	CSN1090
S 903	Spring Switch(DSCSNS)	CSN1081
CN101	Connector	CKS4808
CN701	Connector	CKS6146

### RESISTORS

R 101	RS1/10SR2R4J
R 102	RS1/10SR2R4J
R 103	RS1/10SR2R7J
R 108	RS1/16SS105J
R 109	RS1/16SS222J
R 214	RS1/16SS103J
R 215	RS1/16SS393J
R 216	RS1/16SS122J
R 217	RS1/16SS562J
R 218	RS1/16SS472J
R 229	RS1/16SS471J
R 232	RS1/16SS0R0J
R 237	RS1/16SS221J
R 240	RS1/16SS473J
R 245	RS1/16SS104J
R 254	RS1/16SS104J
R 260	RS1/16SS103J
R 264	RS1/16SS102J
R 281	RS1/16SS560J
R 282	RS1/16SS560J
R 291	RS1/16SS560J
R 294	RS1/16SS471J

### CAPACITORS

C 104	CKSQYB475K6R3
C 203	CKSSYB104K10
C 209	CKSRYB104K16
C 210	CKSSYB104K10
C 211	CKSSYB104K10
C 212	CKSSYB104K10
C 213	CKSSYB332K50
C 214	CKSSYB473K16
C 215	CKSSYB104K10
C 216	CKSSYB182K50
C 217	CCSSCH560J50
C 218	CCSSCH4R0C50
C 219	CKSSYB104K10
C 220	CKSSYB104K10
C 221	CKSSYB104K10
C 222	CKSSYB104K10
C 223	CCSSCH680J50
C 224	CCSSCH470J50
C 225	CKSSYB103K16
C 228	CCSSCH270J50
C 229	CKSSYB104K10
C 233	CKSSYB103K16
C 236	CKSSYB104K10
C 238	CKSRYB104K16
C 299	CKSSYB104K10
C 302	CKSSYB102K50
C 303	CKSSYB102K50
C 304	CKSSYB223K16
C 305	CKSSYB104K10
C 306	CKSSYB104K10
C 307	CKSRYB105K10
C 308	CKSRYB105K10
C 710	CKSSYB102K50