

# Service Manual

ORDER NO.  
**CRT3604**

HIGH POWER CD PLAYER WITH FM/AM TUNER

# DEH-1800

 /XU/UC

# DEH-1850

 /XU/ES

# DEH-1850

 /XU/CN

**This service manual should be used together with the following manual(s) listed below. For the parts numbers, adjustments, etc. which are not shown in this manual, refer to the following manual(s).**

Model No.	Order No.	Mech. Module	Remarks
DEH-1850/XN/ES	CRT3552		
CX-3166	CRT3582	S10.5STD	CD Mech. Module: Circuit Descriptions, Mech. Descriptions, Disassembly

# SAFETY INFORMATION

## WARNING

This product contains lead in solder and certain electrical parts contain chemicals which are known to the state of California to cause cancer, birth defects or other reproductive harm.  
Health & Safety Code Section 25249.6 - Proposition 65

# EXPLODED VIEWS AND PARTS LIST

## PACKING(Page 6)

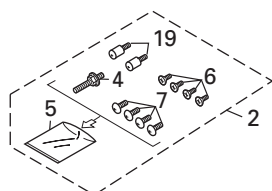
### PACKING SECTION PARTS LIST

\*:Non spare part

Mark	No.	Description	DEH-1850/XN/ES	DEH-1800/XU/UC	
B	1	Accessory Assy	CEA4850	CEA4610	
	2	Screw Assy	CEA3849	CEA6002	
	11	Polyethylene Bag	CEG-162	CEG1173	
	12	Carton	CHG5639	CHG5641	
	13	Contain Box	CHL5639	CHL5641	
	14	Protector	CHP2664	CHP2788	
	15	Protector	CHP2868	CHP2869	
	16-1	Owner's Manual	CRD4039	CRD4035	
	16-2	Installation Manual	CRD4030	CRD4028	
	C	* 16-4	Warranty Card	Not used	CRY1247
		18	Case Assy	CXB3520	Not used
	19	Fixing Screw	Not used	CBA1994	

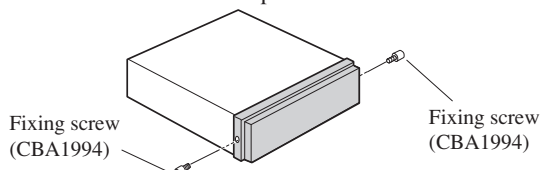
Mark	No.	Description	DEH-1850/XN/ES	DEH-1850/XU/ES
D	12	Carton	CHG5639	CHG5650
	13	Contain Box	CHL5639	CHL5650
	14	Protector	CHP2664	CHP2788
	15	Protector	CHP2868	CHP2869

Mark	No.	Description	DEH-1850/XN/ES	DEH-1850/XU/CN
E	12	Carton	CHG5639	CHG5642
	13	Contain Box	CHL5639	CHL5642
	14	Protector	CHP2664	CHP2788
	15	Protector	CHP2868	CHP2869
	16-1	Owner's Manual	CRD4039	CRB2115
	* 16-2	Installation Manual	CRD4030	Not used
	* 16-4	Warranty Card	Not used	ARY7046
	18	Case Assy	CXB3520	Not used



### About the fixing screws for the front panel

If you do not operate the Detaching and Replacing the Front Panel Function, use the supplied fixing screws and fix the front panel to this unit.



DEH-1800/XU/UC


## Owner's Manual,Installation Manual


Part No.	Language
CRD4035	English, French, Spanish
CRD4028	English, French, Spanish
CRB2115	Casual Chinese

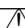
## EXTERIOR(Page 8)

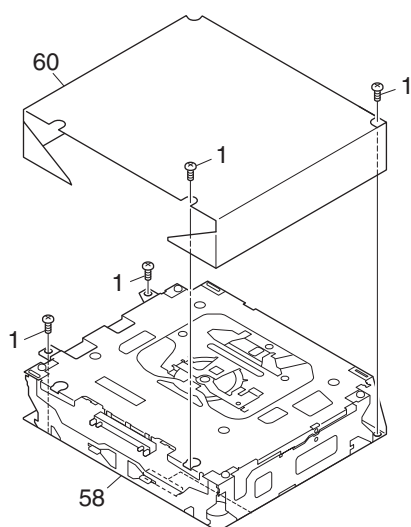
### EXTERIOR SECTION PARTS LIST

The  mark found on some component parts indicates the importance of the safety factor of the part.

Mark	No.	Description	DEH-1850/XN/ES	DEH-1800/XU/UC
	9	Tuner Amp Unit	CWN1271	CWN1269
	13	Fuse(10 A)	CEK1208	YEK5001
	37	Detach Grille Assy	CXC5235	CXC5234
	40	Button(VOLUME(+/-))	CAC9384	CAC9752
	45	Button(SOURCE,BAND)	CAC9383	CAC9751
	48	LCD	CAW1905	CAW1906
	56	Grille Unit	CXC5278	CXC5275
	58	CD Mechanism Module(S10.5)	CXK5701	CXK5700

Mark	No.	Description	DEH-1850/XN/ES	DEH-1850/XU/ES
	13	Fuse(10 A)	CEK1208	YEK5001
	58	CD Mechanism Module(S10.5)	CXK5701	CXK5700

Mark	No.	Description	DEH-1850/XN/ES	DEH-1850/XU/CN
	13	Fuse(10 A)	CEK1208	YEK5001
	37	Detach Grille Assy	CXC5235	CXC5236
	48	LCD	CAW1905	CAW1906
	58	CD Mechanism Module(S10.5)	CXK5701	CXK5700
	60	Sheet	Not used	CNM9404



## CD MECHANISM MODULE(Page 10)

### CD MECHANISM MODULE SECTION PARTS LIST

Mark	No.	Description	DEH-1850/XN/ES	DEH-1800/XU/UC DEH-1850/XU/ES DEH-1850/XU/CN
	2	Connector(CN101)	CKS4182	CKS4808
	3	Connector(CN702)	CKS4185	CKS5283
	44	Roller	CNV7218	CNV8189
	48	Guide	CNV7799	CNV8448
	62	Collar	CNV8938	CNV8447

## ELECTRICAL PARTS LIST(Page 34)

### TUNER AMP UNIT

Circuit Symbol and No.	Part Name	DEH-1850/XN/ES	DEH-1800/XU/UC
⚠	Fuse(10 A)	CEK1208	YEK5001
R601		Not used	RS1/16S333J
R602		RS1/16S473J	RS1/16S333J

Circuit Symbol and No.	Part Name	DEH-1850/XN/ES	DEH-1850/XU/ES DEH-1850/XU/CN
⚠	Fuse(10 A)	CEK1208	YEK5001

### KEYBOARD UNIT

Circuit Symbol and No.	Part Name	DEH-1850/XN/ES	DEH-1800/XU/UC DEH-1850/XU/CN
	LCD	CAW1905	CAW1906

### CD CORE UNIT(S10.5)

Circuit Symbol and No.	Part Name	DEH-1850/XN/ES	DEH-1800/XU/UC DEH-1850/XU/ES DEH-1850/XU/CN
C209		CKSRYB104K16	CKSRYB104K10
C238		CKSRYB104K16	CKSRYB104K10
C240		CKSRYB104K16	CKSRYB104K10

Page 16 Address C4

