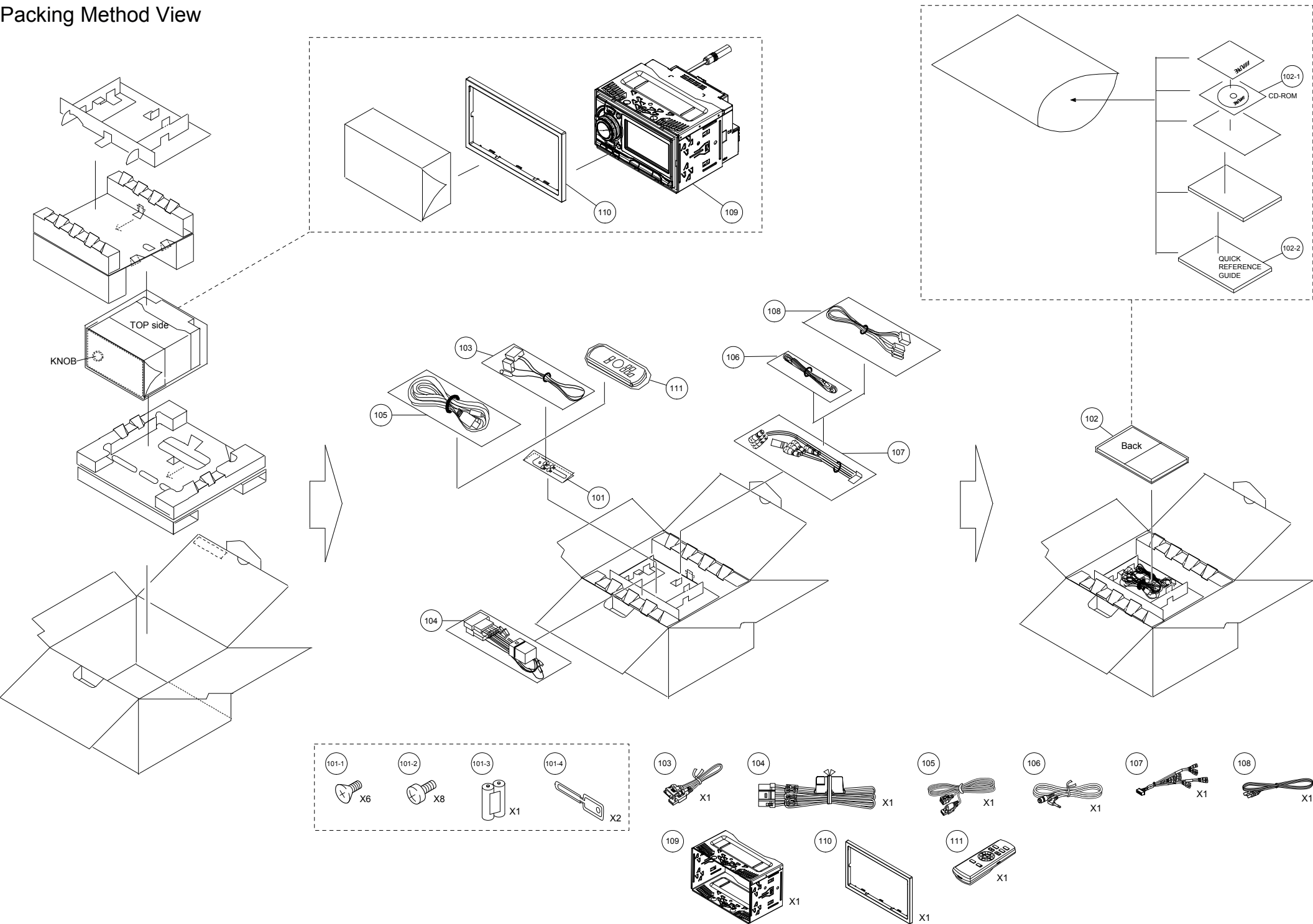


# Packing Method View

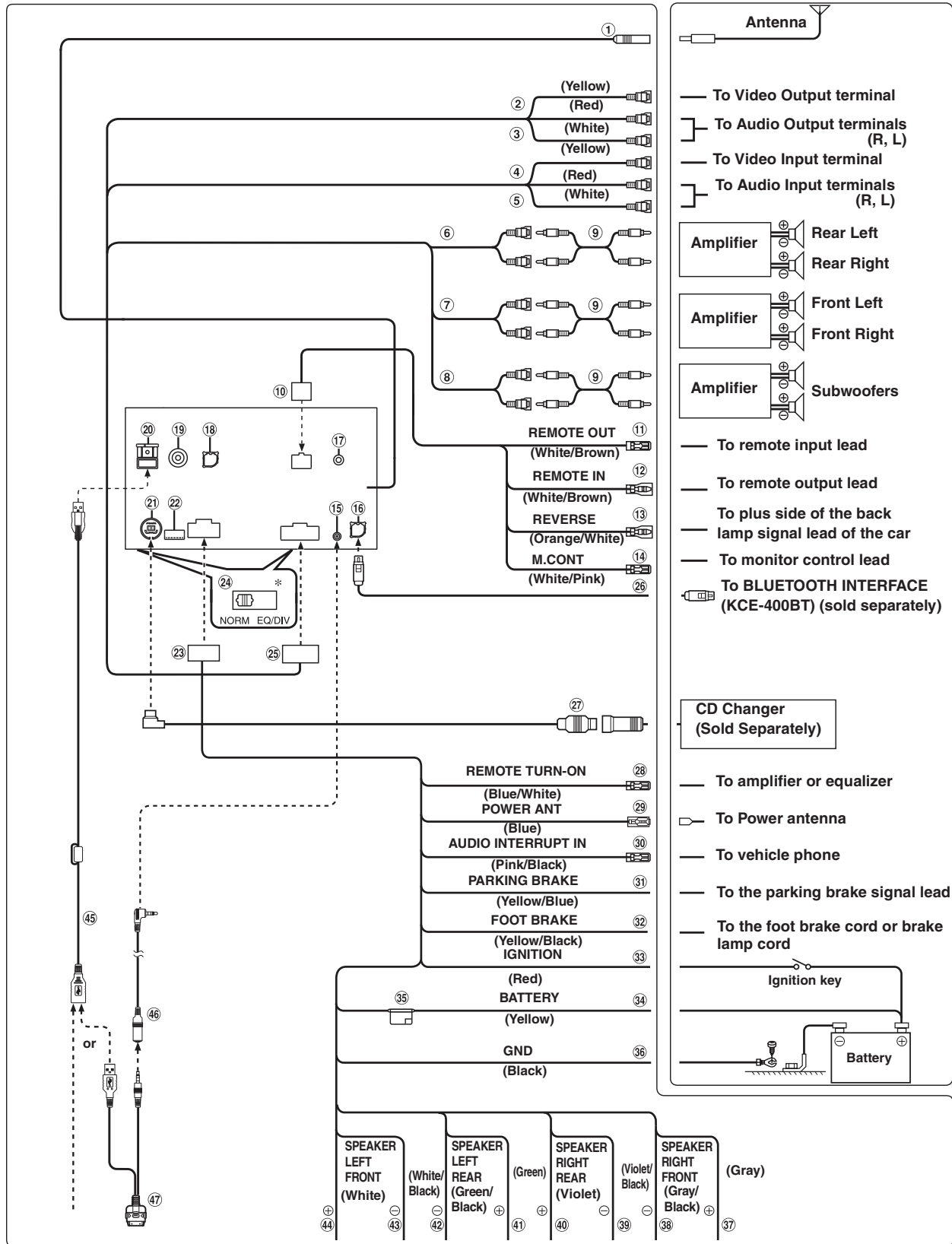


MODEL	Symbol No.	Parts No.	Description
	<a href="#">101-1</a>	03S60820Y16	SCR,MCH 5X8 ZN A
	<a href="#">101-2</a>	03S60820Y17	SCR,MCH 5X8 ZN A
	<a href="#">101-3</a>	60T55630W01	BAT,MGN R03(NB)UM-4
	<a href="#">101-4</a>	07-01964Z01	BKT,RELEASE
	<a href="#">102-1</a>	68-10334Z17	O/M-CDROM 2DIN L
	<a href="#">102-2</a>	68-14470Z23	C/N-QRG AOAM AOTA
	<a href="#">103</a>	09-12482Z02	ASSY,ANID-0077-02A
	<a href="#">104</a>	09-12300Z01	ASSY,ANIC-0035-01A
	<a href="#">105</a>	09-09243Z01	ASSY,Z0607R
	<a href="#">106</a>	09-12484Z01	ASSY,ANID-0079-01A
	<a href="#">107</a>	09-14727Z01	ASSY,ANID-0097-01A
	<a href="#">108</a>	01T75479Y01	ASSY,REMOTE D300
	<a href="#">109</a>	15-05590Z01	CASE,INNER
	<a href="#">110</a>	33-05591Z01	FACE,PLATE
	<a href="#">111</a>	97-02291Z01	ASSY,SBPF00001A

NOTE:The part that has not PART NUMBER will not be supplied.

# System Connection

## Connections



To USB memory/ To iPhone/iPod  
Portable audio player

- Set the system switch to "NORM" when only a changer is connected (when the Ai-NET compatible equalizer is not used). When the IMPRINT audio processor is connected, set to EQ/DIV position.
- \* The two system switches are located on the bottom of the unit.

- ① **Radio Antenna Receptacle**
- ② **Video Input Connector (AUX INPUT) (Yellow)**  
Input the video.
- ③ **Audio Input Connectors (AUX INPUT)**  
RED is right and WHITE is left input the audio.
- ④ **Video Output Connector (AUX OUTPUT) (Yellow)**  
Output the video.
- ⑤ **Audio Output Connectors (AUX OUTPUT)**  
RED is right and WHITE is left output the audio.
- ⑥ **Rear Output/Input RCA Connectors**  
It can be used as Rear Output or Input RCA Connectors.
- ⑦ **Front Output/Input RCA Connectors**  
It can be used as Front Output or Input RCA Connectors.
- ⑧ **Subwoofer RCA Connectors**  
RED is right and WHITE is left.
- ⑨ **RCA Extension Cable (sold separately)**
- ⑩ **Remote IN/OUT Connector**
- ⑪ **Remote Control Output Lead (White/Brown)**  
Connect this lead to the remote control input lead. This lead outputs the controlling signals from the remote control.
- ⑫ **Remote Control Input Lead (White/Brown)**  
Connect the external Alpine product to the remote control output lead.
- ⑬ **Reverse Lead (Orange/White)**  
Use only when a back-up camera is connected. Connect to the plus side of the car's reverse lamp. This lamp illuminates when the transmission is shifted into reverse (R). With this lead properly wired, the video picture automatically switches to the back-up camera whenever the car is put into reverse (R).
- ⑭ **Monitor Control Lead (White/Pink)**  
Connect this to the Monitor Control Lead of the touch panel-compatible rear monitor.
- ⑮ **iPod AUDIO/VIDEO Input Connector**  
Connect this to the AV extension cable.
- ⑯ **Bluetooth interface Connector**  
Connect this to an optional BLUETOOTH INTERFACE (KCE-400BT). To use a hands-free mobile phone, an optional BLUETOOTH INTERFACE (KCE-400BT) connection is required. For details on connection, refer to the Owner's Manual of the BLUETOOTH INTERFACE (KCE-400BT). You can also connect this to an external device (such as a portable player) by using conversion cable (KCE-237B) for building up the AUX IN (sold separately).

AUX+ ON: When the external device is connected.  
 AUX+ OFF: When set to OFF, AUX+ source cannot be selected.

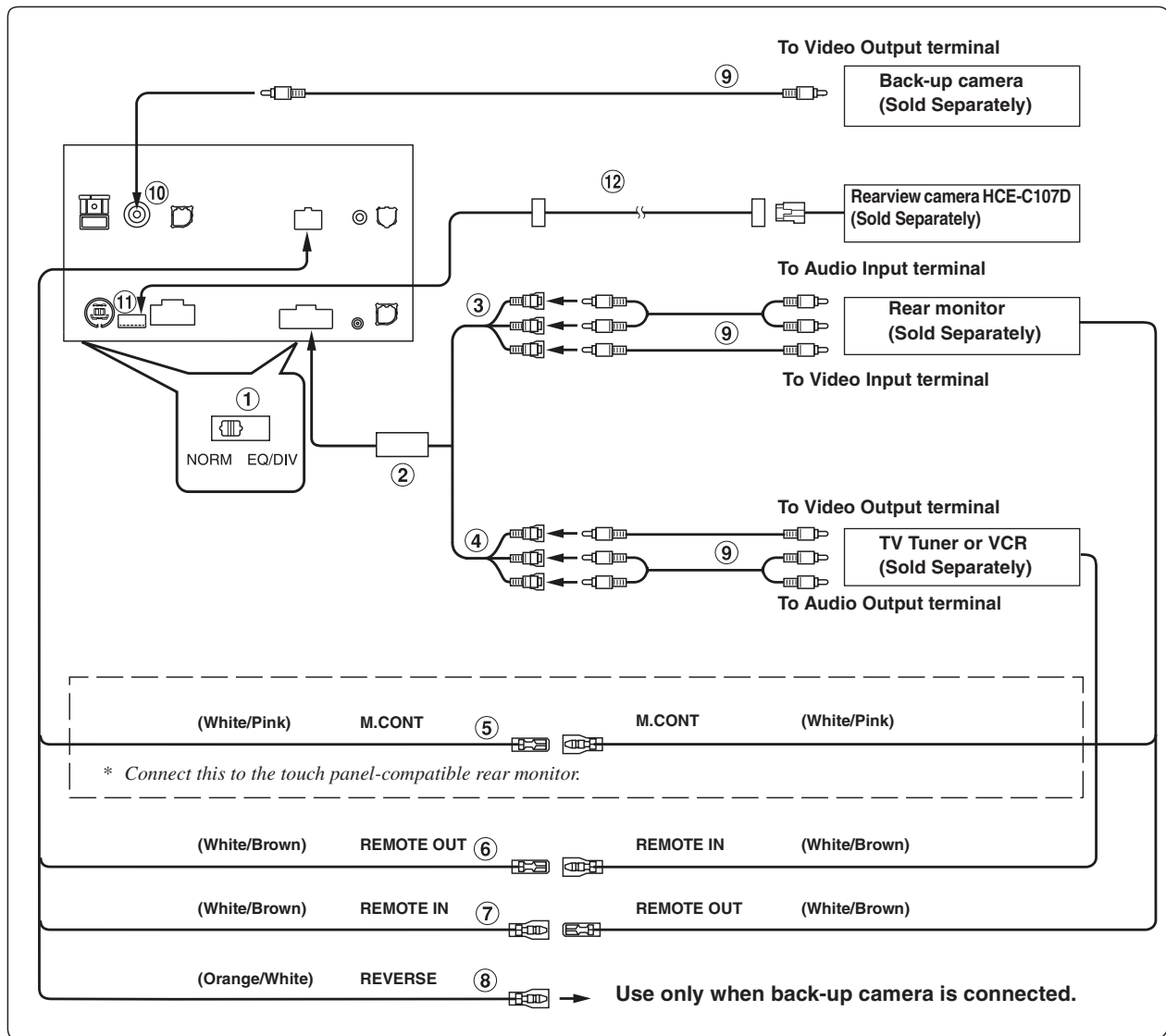
- ⑰ **Steering Remote Control Interface Connector**  
To steering remote control interface box. For details about connections, consult your nearest Alpine dealer.
- ⑱ **RGB Input Terminal**  
Connect this to the RGB output terminal of the Navigation System.
- ⑲ **CAMERA Input RCA Connector**  
Use when connecting a back-up camera with RCA Output Connector.
- ⑳ **USB Connector**
- ㉑ **Ai-NET Connector**  
Connect this to the output or input connector of another device (CD Changer, Equalizer, HD Radio™ TUNER MODULE, etc.) equipped with Ai-NET.
  - *You can input TV/video sound by connecting an optional Ai-NET/RCA Interface cable (KCA-121B) to this component.*
  - *Be sure to set "Setting the Connected Head Unit (MODEL SETUP)" to "DVD CHG", when the DHA-S690 is connected.*
- ㉒ **Direct CAMERA Input Connector**  
Use when the optional rearview camera HCE-C107D is connected.
- ㉓ **Power Supply Connector**
- ㉔ **System Switch**  
When connecting an equalizer or divider using Ai-NET feature, place the two switches in the EQ/DIV position. When no device is connected, leave the switches in the NORM position.
  - *Do not make the two switches to different settings.*
  - *Be sure to turn the power off to the unit before changing the switch position.*
- ㉕ **24 PIN pre-out/AUX-I/O Connector**
- ㉖ **KCE-400BT Connection Cable (Included with KCE-400BT)**
- ㉗ **Ai-NET Cable (Included with CD Changer)**
- ㉘ **Remote Turn-On Lead (Blue/White)**  
Connect this lead to the remote turn-on lead of your amplifier or signal processor.
- ㉙ **Power Antenna Lead (Blue)**  
Connect this lead to the +B terminal of your power antenna, if applicable.
  - *This lead should be used only for controlling the vehicle's power antenna. Do not use this lead to turn on an amplifier or a signal processor, etc.*
- ㉚ **Audio Interrupt In Lead (Pink/Black)**
- ㉛ **Parking Brake Lead (Yellow/Blue)**  
Connect this lead to the power supply side of the parking brake switch to transmit the parking brake status signals to the iXA-W404.

- ③② **Foot Brake Lead (Yellow/Black)**  
Connect to the vehicle's foot brake lead or brake lamp lead.
- ③③ **Switched Power Lead (Ignition) (Red)**  
Connect this lead to an open terminal on the vehicle's fuse box or another unused power source which provides (+) 12V only when the ignition is turned on or in the accessory position.
- ③④ **Battery Lead (Yellow)**  
Connect this lead to the positive (+) post of the vehicle's battery.
- ③⑤ **Fuse Holder (10A)**
- ③⑥ **Ground Lead (Black)**  
Connect this lead to a good chassis ground on the vehicle. Make sure the connection is made to bare metal and is securely fastened using the sheet metal screw provided.
- ③⑦ **Right Front (+) Speaker Output Lead (Gray)**
- ③⑧ **Right Front (-) Speaker Output Lead (Gray/Black)**
- ③⑨ **Right Rear (-) Speaker Output Lead (Violet/Black)**
- ④① **Right Rear (+) Speaker Output Lead (Violet)**
- ④② **Left Rear (+) Speaker Output Lead (Green)**
- ④③ **Left Rear (-) Speaker Output Lead (Green/Black)**
- ④④ **Left Front (-) Speaker Output Lead (White/Black)**
- ④⑤ **Left Front (+) Speaker Output Lead (White)**
- ④⑥ **USB extension cable (Included)**
- ④⑦ **AV extension cable (Included)**
- ④⑧ **USB 30P cable (Included)**



- ① **RGB Cable (Included with NVE-N852A/NVE-N872A, not included with NVE-N871A)**
- ② **RGB Input Terminal**  
Connect this to the RGB output terminal of the Navigation System.
- ③ **System Switch**  
When connecting an equalizer or divider using Ai-NET feature, place the two switches in the EQ/DIV position. When no device is connected, leave the switches in the NORM position.
  - *Do not make the two switches to different settings.*
  - *Be sure to turn the power off to the unit before changing the switch position.*
- ④ **Ai-NET Connector**  
Connect this to the output or input connector of other product equipped with Ai-NET.
- ⑤ **Video Input Connector (AUX INPUT) (Yellow)**  
Connect the video output lead of a DVD video player or DVD changer to this terminal.
- ⑥ **RCA Extension Cable (Included with DVD video player)**
- ⑦ **Ai-NET Cable (Included with DVD video player)**
- ⑧ **Fiber Optic Cable (Sold Separately)**
- ⑨ **Ai-NET Cable (Included with Audio Processor)**
- ⑩ **Ai-NET Cable (Included with CD Changer)**
- ⑪ **Remote IN/OUT Connector**
- ⑫ **Remote Control Output Lead (White/Brown)**  
Connect this lead to the remote control input lead. This lead outputs the controlling signals from the remote control.
- ⑬ **To Ai-NET Connector (Gray)**
- ⑭ **To Ai-NET Connector (Black)**
- ⑮ **24 PIN Pre-out/AUX I/O Connector**

## When Connecting External Equipment



### ① System Switch

When connecting an equalizer or divider using Ai-NET feature, place the two switches in the EQ/DIV position. When no device is connected, leave the switches in the NORM position.

- Do not make the two switches to different settings.
- Be sure to turn the power off to the unit before changing the switch position.

### ② 24 PIN Pre-out/AUX I/O Connector

### ③ Video/Audio Output Connectors (AUX OUTPUT)

Use when connecting an optional monitor etc.

### ④ Video/Audio Input Connectors (AUX INPUT)

### ⑤ Monitor Control Lead (White/Pink)

Connect this to the Monitor Control Lead of the touch panel-compatible rear monitor.

### ⑥ Remote Control Output Lead (White/Brown)

Connect this lead to the remote control input lead. This lead outputs the controlling signals from the remote control.

### ⑦ Remote Control Input Lead (White/Brown)

### ⑧ Reverse Lead (Orange/White)

Use only when a back-up camera is connected. Connect to the plus side of the car's reverse lamp. This lamp illuminates when the transmission is shifted into reverse (R). With this lead properly wired, the video picture automatically switches to the back-up camera whenever the car is put into reverse (R).

### ⑨ RCA Extension Cable (Sold Separately)

### ⑩ CAMERA Input RCA Connector

Use when connecting a back-up camera with RCA Output Connector.

### ⑪ Direct CAMERA Input Connector


Use when the optional rearview camera HCE-C107D is connected.

### ⑫ Camera extension cable (Included with Rear camera (HCE-C107D))

# Extension Cable

\*Always connect the Extension Cable when making checks of voltage and repair.



P.W.Board	MIS	MODEL	Ref.	Parts No.	Parts Name
MAIN1-P.W.Board			<a href="#">ANT1001</a>	09-06103Z01	ASSY,ANID-0035-01A
MAIN1-P.W.Board			<a href="#">BZ5001</a>	50T04252K01	BUZZER,XY13-5H
MAIN1-P.W.Board			<a href="#">C1002</a>	08S45676W80	CAP,CER 223K-B1E -CP
MAIN1-P.W.Board			<a href="#">C1003</a>	08S45677W60	CAP,CER 102J-CH1H-CP
MAIN1-P.W.Board			<a href="#">C1004</a>	08S82122F32	CAP,CER.62RJ-CH1H-CP
MAIN1-P.W.Board			<a href="#">C1005</a>	08S82122F27	CAP,CER.39RJ-CH1H-CP
MAIN1-P.W.Board			<a href="#">C1006</a>	08S82122F19	CAP,CER.18RJ-CH1H-CP
MAIN1-P.W.Board			<a href="#">C2001</a>	08S45676W85	CAP,CER 104K-B1C -CP
MAIN1-P.W.Board			<a href="#">C2002</a>	08S45677W20	CAP,CER.22RJ-CH1H-CP
MAIN1-P.W.Board			<a href="#">C2003</a>	08S45677W20	CAP,CER.22RJ-CH1H-CP
MAIN1-P.W.Board			<a href="#">C2004</a>	08S45677W20	CAP,CER.22RJ-CH1H-CP
MAIN1-P.W.Board			<a href="#">C2005</a>	08S45677W20	CAP,CER.22RJ-CH1H-CP
MAIN1-P.W.Board			<a href="#">C2006</a>	08S65674Y03	CAP,CER 225KX5R1A-CP
MAIN1-P.W.Board			<a href="#">C2007</a>	08S65674Y03	CAP,CER 225KX5R1A-CP
MAIN1-P.W.Board			<a href="#">C2008</a>	08S65674Y03	CAP,CER 225KX5R1A-CP
MAIN1-P.W.Board			<a href="#">C2009</a>	08S65674Y03	CAP,CER 225KX5R1A-CP
MAIN1-P.W.Board			<a href="#">C2010</a>	08S45677W20	CAP,CER.22RJ-CH1H-CP
MAIN1-P.W.Board			<a href="#">C2011</a>	08S45677W20	CAP,CER.22RJ-CH1H-CP
MAIN1-P.W.Board			<a href="#">C2012</a>	08S45677W20	CAP,CER.22RJ-CH1H-CP
MAIN1-P.W.Board			<a href="#">C2013</a>	08S45677W20	CAP,CER.22RJ-CH1H-CP
MAIN1-P.W.Board			<a href="#">C2014</a>	08S65674Y03	CAP,CER 225KX5R1A-CP
MAIN1-P.W.Board			<a href="#">C2015</a>	08S65674Y03	CAP,CER 225KX5R1A-CP
MAIN1-P.W.Board			<a href="#">C2016</a>	08S65674Y03	CAP,CER 225KX5R1A-CP
MAIN1-P.W.Board			<a href="#">C2017</a>	08S65674Y03	CAP,CER 225KX5R1A-CP
MAIN1-P.W.Board			<a href="#">C2018</a>	08S45676W73	CAP,CER.103K-B1H -CP
MAIN1-P.W.Board			<a href="#">C2019</a>	08S45676W73	CAP,CER.103K-B1H -CP
MAIN1-P.W.Board			<a href="#">C2020</a>	08S45676W80	CAP,CER 223K-B1E -CP
MAIN1-P.W.Board			<a href="#">C2021</a>	08S45676W85	CAP,CER 104K-B1C -CP
MAIN1-P.W.Board			<a href="#">C2022</a>	08S45676W85	CAP,CER 104K-B1C -CP
MAIN1-P.W.Board			<a href="#">C2029</a>	08S45677W60	CAP,CER 102J-CH1H-CP
MAIN1-P.W.Board			<a href="#">C2030</a>	08S45677W60	CAP,CER 102J-CH1H-CP
MAIN1-P.W.Board			<a href="#">C2031</a>	08S45676W83	CAP,CER 473K-B1C -CP
MAIN1-P.W.Board			<a href="#">C2034</a>	08S45676W80	CAP,CER 223K-B1E -CP
MAIN1-P.W.Board			<a href="#">C2035</a>	08S65667Y01	CAP,CER 224KX5R1C-CP
MAIN1-P.W.Board			<a href="#">C2036</a>	08S65667Y01	CAP,CER 224KX5R1C-CP
MAIN1-P.W.Board			<a href="#">C2037</a>	08S65667Y01	CAP,CER 224KX5R1C-CP
MAIN1-P.W.Board			<a href="#">C2038</a>	08S65667Y01	CAP,CER 224KX5R1C-CP
MAIN1-P.W.Board			<a href="#">C2039</a>	08S35349Y16	CAP,CER 105K-B1A -CP
MAIN1-P.W.Board			<a href="#">C2040</a>	08S60102F40	CAP,CER 224K-B1E -CP
MAIN1-P.W.Board			<a href="#">C2041</a>	08S60102F40	CAP,CER 224K-B1E -CP
MAIN1-P.W.Board			<a href="#">C2042</a>	08S60102F48	CAP,CER 105K-B1E -CP
MAIN1-P.W.Board			<a href="#">C2043</a>	08S60102F48	CAP,CER 105K-B1E -CP
MAIN1-P.W.Board			<a href="#">C2044</a>	08S60102F48	CAP,CER 105K-B1E -CP
MAIN1-P.W.Board			<a href="#">C2045</a>	08S60102F48	CAP,CER 105K-B1E -CP
MAIN1-P.W.Board			<a href="#">C2046</a>	08S60102F48	CAP,CER 105K-B1E -CP
MAIN1-P.W.Board			<a href="#">C2047</a>	08S60102F48	CAP,CER 105K-B1E -CP
MAIN1-P.W.Board			<a href="#">C2048</a>	08S65670Y04	CAP,CER 475KX5R1E-CP
MAIN1-P.W.Board			<a href="#">C2049</a>	08S65670Y04	CAP,CER 475KX5R1E-CP
MAIN1-P.W.Board			<a href="#">C2050</a>	08S65670Y04	CAP,CER 475KX5R1E-CP






NOTE:The part that has not PART NUMBER will not be supplied.

P.W.Board	MIS	MODEL	Ref.	Parts No.	Parts Name
MAIN1-P.W.Board			<a href="#">C2051</a>	08S65674Y05	CAP,CER 105KX5R1C-CP
MAIN1-P.W.Board			<a href="#">C2052</a>	08S65676Y05	CAP,CER 105KX7R1E-CP
MAIN1-P.W.Board			<a href="#">C2053</a>	08S65676Y05	CAP,CER 105KX7R1E-CP
MAIN1-P.W.Board			<a href="#">C2061</a>	08S45677W60	CAP,CER 102J-CH1H-CP
MAIN1-P.W.Board			<a href="#">C2062</a>	08S45677W60	CAP,CER 102J-CH1H-CP
MAIN1-P.W.Board			<a href="#">C2063</a>	08S45677W60	CAP,CER 102J-CH1H-CP
MAIN1-P.W.Board			<a href="#">C2064</a>	08S45677W60	CAP,CER 102J-CH1H-CP
MAIN1-P.W.Board			<a href="#">C2065</a>	08S45677W60	CAP,CER 102J-CH1H-CP
MAIN1-P.W.Board			<a href="#">C2066</a>	08S45677W60	CAP,CER 102J-CH1H-CP
MAIN1-P.W.Board			<a href="#">C2067</a>	08S45676W73	CAP,CER.103K-B1H -CP
MAIN1-P.W.Board			<a href="#">C3001</a>	08S45676W85	CAP,CER 104K-B1C -CP
MAIN1-P.W.Board			<a href="#">C3002</a>	08S45676W80	CAP,CER 223K-B1E -CP
MAIN1-P.W.Board			<a href="#">C3003</a>	08S45539Y04	CAP,CER 103KX7R2J-CP
MAIN1-P.W.Board			<a href="#">C3004</a>	08S45676W80	CAP,CER 223K-B1E -CP
MAIN1-P.W.Board			<a href="#">C3101</a>	08S45676W80	CAP,CER 223K-B1E -CP
MAIN1-P.W.Board			<a href="#">C3102</a>	08S45676W65	CAP,CER.222K-B1H -CP
MAIN1-P.W.Board			<a href="#">C3103</a>	08S45676W65	CAP,CER.222K-B1H -CP
MAIN1-P.W.Board			<a href="#">C3104</a>	08S45676W65	CAP,CER.222K-B1H -CP
MAIN1-P.W.Board			<a href="#">C3201</a>	08S45676W80	CAP,CER 223K-B1E -CP
MAIN1-P.W.Board			<a href="#">C3202</a>	08S45677W22	CAP,CER.27RJ-CH1H-CP
MAIN1-P.W.Board			<a href="#">C3203</a>	08S45677W22	CAP,CER.27RJ-CH1H-CP
MAIN1-P.W.Board			<a href="#">C3204</a>	08S45676W80	CAP,CER 223K-B1E -CP
MAIN1-P.W.Board			<a href="#">C3301</a>	08S65674Y05	CAP,CER 105KX5R1C-CP
MAIN1-P.W.Board			<a href="#">C3302</a>	08S65674Y05	CAP,CER 105KX5R1C-CP
MAIN1-P.W.Board			<a href="#">C3303</a>	08S65674Y05	CAP,CER 105KX5R1C-CP
MAIN1-P.W.Board			<a href="#">C3304</a>	08S65674Y05	CAP,CER 105KX5R1C-CP
MAIN1-P.W.Board			<a href="#">C3305</a>	08S65674Y05	CAP,CER 105KX5R1C-CP
MAIN1-P.W.Board			<a href="#">C3306</a>	08S65674Y05	CAP,CER 105KX5R1C-CP
MAIN1-P.W.Board			<a href="#">C3307</a>	08S65674Y05	CAP,CER 105KX5R1C-CP
MAIN1-P.W.Board			<a href="#">C3308</a>	08S65674Y05	CAP,CER 105KX5R1C-CP
MAIN1-P.W.Board			<a href="#">C3309</a>	08S65674Y05	CAP,CER 105KX5R1C-CP
MAIN1-P.W.Board			<a href="#">C3310</a>	08S65674Y05	CAP,CER 105KX5R1C-CP
MAIN1-P.W.Board			<a href="#">C3311</a>	08S65674Y05	CAP,CER 105KX5R1C-CP
MAIN1-P.W.Board			<a href="#">C3312</a>	08S65674Y05	CAP,CER 105KX5R1C-CP
MAIN1-P.W.Board			<a href="#">C3313</a>	08S65674Y05	CAP,CER 105KX5R1C-CP
MAIN1-P.W.Board			<a href="#">C3314</a>	08S65674Y05	CAP,CER 105KX5R1C-CP
MAIN1-P.W.Board			<a href="#">C3315</a>	08S65674Y05	CAP,CER 105KX5R1C-CP
MAIN1-P.W.Board			<a href="#">C3316</a>	08S65674Y05	CAP,CER 105KX5R1C-CP
MAIN1-P.W.Board			<a href="#">C3317</a>	08S65674Y05	CAP,CER 105KX5R1C-CP
MAIN1-P.W.Board			<a href="#">C3318</a>	08S65674Y05	CAP,CER 105KX5R1C-CP
MAIN1-P.W.Board			<a href="#">C3319</a>	08S65674Y05	CAP,CER 105KX5R1C-CP
MAIN1-P.W.Board			<a href="#">C3320</a>	08S65674Y05	CAP,CER 105KX5R1C-CP
MAIN1-P.W.Board			<a href="#">C3321</a>	08S65674Y05	CAP,CER 105KX5R1C-CP
MAIN1-P.W.Board			<a href="#">C3322</a>	08S65674Y05	CAP,CER 105KX5R1C-CP
MAIN1-P.W.Board			<a href="#">C3323</a>	08S65674Y05	CAP,CER 105KX5R1C-CP
MAIN1-P.W.Board			<a href="#">C3324</a>	08S65674Y05	CAP,CER 105KX5R1C-CP
MAIN1-P.W.Board			<a href="#">C3325</a>	08S45676W85	CAP,CER 104K-B1C -CP
MAIN1-P.W.Board			<a href="#">C3326</a>	08S45676W85	CAP,CER 104K-B1C -CP
MAIN1-P.W.Board			<a href="#">C3327</a>	08S45677W60	CAP,CER 102J-CH1H-CP

NOTE:The part that has not PART NUMBER will not be supplied.

P.W.Board	MIS	MODEL	Ref.	Parts No.	Parts Name
MAIN1-P.W.Board			<a href="#">C3328</a>	08S45677W60	CAP,CER 102J-CH1H-CP
MAIN1-P.W.Board			<a href="#">C3329</a>	08S45677W60	CAP,CER 102J-CH1H-CP
MAIN1-P.W.Board			<a href="#">C3330</a>	08S45676W85	CAP,CER 104K-B1C -CP
MAIN1-P.W.Board			<a href="#">C3331</a>	08S45676W85	CAP,CER 104K-B1C -CP
MAIN1-P.W.Board			<a href="#">C3332</a>	08S82122F45	CAP,CER.221J-CH1H-CP
MAIN1-P.W.Board			<a href="#">C3333</a>	08S82122F61	CAP,CER.102J-CH1H-CP
MAIN1-P.W.Board			<a href="#">C3334</a>	08S82122F61	CAP,CER.102J-CH1H-CP
MAIN1-P.W.Board			<a href="#">C3335</a>	08S65128F78	CAP,CER.223K-B1H -CP
MAIN1-P.W.Board			<a href="#">C3336</a>	08S65674Y05	CAP,CER 105KX5R1C-CP
MAIN1-P.W.Board			<a href="#">C3337</a>	08S65674Y05	CAP,CER 105KX5R1C-CP
MAIN1-P.W.Board			<a href="#">C3338</a>	08S65674Y05	CAP,CER 105KX5R1C-CP
MAIN1-P.W.Board			<a href="#">C3339</a>	08S65674Y05	CAP,CER 105KX5R1C-CP
MAIN1-P.W.Board			<a href="#">C3340</a>	08S65674Y05	CAP,CER 105KX5R1C-CP
MAIN1-P.W.Board			<a href="#">C3341</a>	08S65674Y05	CAP,CER 105KX5R1C-CP
MAIN1-P.W.Board			<a href="#">C3342</a>	08S65674Y05	CAP,CER 105KX5R1C-CP
MAIN1-P.W.Board			<a href="#">C3343</a>	08S65674Y05	CAP,CER 105KX5R1C-CP
MAIN1-P.W.Board			<a href="#">C3347</a>	08S45676W85	CAP,CER 104K-B1C -CP
MAIN1-P.W.Board			<a href="#">C3353</a>	08S45677W60	CAP,CER 102J-CH1H-CP
MAIN1-P.W.Board			<a href="#">C3354</a>	08S45677W60	CAP,CER 102J-CH1H-CP
MAIN1-P.W.Board			<a href="#">C3355</a>	08S45677W60	CAP,CER 102J-CH1H-CP
MAIN1-P.W.Board			<a href="#">C4001</a>	08S65128F88	CAP,CER 104K-B1H -CP
MAIN1-P.W.Board			<a href="#">C4002</a>	08S45676W85	CAP,CER 104K-B1C -CP
MAIN1-P.W.Board			<a href="#">C4003</a>	08S65128F88	CAP,CER 104K-B1H -CP
MAIN1-P.W.Board			<a href="#">C4004</a>	08S45676W85	CAP,CER 104K-B1C -CP
MAIN1-P.W.Board			<a href="#">C4005</a>	08S65128F88	CAP,CER 104K-B1H -CP
MAIN1-P.W.Board			<a href="#">C4006</a>	08S45676W85	CAP,CER 104K-B1C -CP
MAIN1-P.W.Board			<a href="#">C4007</a>	08S45676W73	CAP,CER.103K-B1H -CP
MAIN1-P.W.Board			<a href="#">C4010</a>	08S65667Y01	CAP,CER 224KX5R1C-CP
MAIN1-P.W.Board			<a href="#">C4018</a>	08T65463Y02	CAP,CER 334K-B1H -CP
MAIN1-P.W.Board			<a href="#">C4019</a>	08S65128F88	CAP,CER 104K-B1H -CP
MAIN1-P.W.Board			<a href="#">C4101</a>	08S35349Y17	CAP,CER 225K-B0J -CP
MAIN1-P.W.Board			<a href="#">C4102</a>	08S45676W69	CAP,CER.472K-B1H -CP
MAIN1-P.W.Board			<a href="#">C4103</a>	08S45677W30	CAP,CER.56RJ-CH1H-CP
MAIN1-P.W.Board			<a href="#">C4106</a>	08S45676W73	CAP,CER.103K-B1H -CP
MAIN1-P.W.Board			<a href="#">C4108</a>	08S45676W85	CAP,CER 104K-B1C -CP
MAIN1-P.W.Board			<a href="#">C4201</a>	08T65463Y02	CAP,CER 334K-B1H -CP
MAIN1-P.W.Board			<a href="#">C4203</a>	08S45676W80	CAP,CER 223K-B1E -CP
MAIN1-P.W.Board			<a href="#">C4204</a>	08S45676W93	CAP,CER 224K-B1A -CP
MAIN1-P.W.Board			<a href="#">C4250</a>	08S45676W80	CAP,CER 223K-B1E -CP
MAIN1-P.W.Board			<a href="#">C4251</a>	08S45676W80	CAP,CER 223K-B1E -CP
MAIN1-P.W.Board			<a href="#">C4252</a>	08S65670Y01	CAP,CER 106KX5R1C-CP
MAIN1-P.W.Board			<a href="#">C4253</a>	08S65670Y01	CAP,CER 106KX5R1C-CP
MAIN1-P.W.Board			<a href="#">C4303</a>	08T65463Y02	CAP,CER 334K-B1H -CP
MAIN1-P.W.Board			<a href="#">C4402</a>	08S65128F90	CAP,CER 473K-B1H -CP
MAIN1-P.W.Board			<a href="#">C5000</a>	08S45676W73	CAP,CER.103K-B1H -CP
MAIN1-P.W.Board			<a href="#">C5001</a>	08S45676W73	CAP,CER.103K-B1H -CP
MAIN1-P.W.Board			<a href="#">C5002</a>	08S45676W80	CAP,CER 223K-B1E -CP
MAIN1-P.W.Board			<a href="#">C5003</a>	08S65670Y01	CAP,CER 106KX5R1C-CP
MAIN1-P.W.Board			<a href="#">C5004</a>	08S45676W73	CAP,CER.103K-B1H -CP

NOTE:The part that has not PART NUMBER will not be supplied.

P.W.Board	MIS	MODEL	Ref.	Parts No.	Parts Name
MAIN1-P.W.Board		<a href="#">C5005</a>	08S45676W80	CAP,CER 223K-B1E -CP	
MAIN1-P.W.Board		<a href="#">C5006</a>	08S45676W80	CAP,CER 223K-B1E -CP	
MAIN1-P.W.Board		<a href="#">C5007</a>	08S35374W01	CAP,CER 104K-B1E-CP	
MAIN1-P.W.Board		<a href="#">C5008</a>	08S65128F90	CAP,CER 473K-B1H -CP	
MAIN1-P.W.Board		<a href="#">C5009</a>	08S45231Y34	CAP,CER 24RJ-CH1H-CP	
MAIN1-P.W.Board		<a href="#">C5010</a>	08S45231Y18	CAP,CER 27RJ-CH1H-CP	
MAIN1-P.W.Board		<a href="#">C5011</a>	08S45677W20	CAP,CER.22RJ-CH1H-CP	
MAIN1-P.W.Board		<a href="#">C5012</a>	08S45677W20	CAP,CER.22RJ-CH1H-CP	
MAIN1-P.W.Board		<a href="#">C5013</a>	08S35349Y11	CAP,CER 223K-B1H -CP	
MAIN1-P.W.Board		<a href="#">C5014</a>	08S45676W80	CAP,CER 223K-B1E -CP	
MAIN1-P.W.Board		<a href="#">C5015</a>	08S45232Y17	CAP,CER 104K-B0J -CP	
MAIN1-P.W.Board		<a href="#">C5016</a>	08S45676W80	CAP,CER 223K-B1E -CP	
MAIN1-P.W.Board		<a href="#">C5017</a>	08S45676W73	CAP,CER.103K-B1H -CP	
MAIN1-P.W.Board		<a href="#">C5020</a>	08S45676W85	CAP,CER 104K-B1C -CP	
MAIN1-P.W.Board		<a href="#">C5021</a>	08S45676W85	CAP,CER 104K-B1C -CP	
MAIN1-P.W.Board		<a href="#">C5022</a>	08S45676W85	CAP,CER 104K-B1C -CP	
MAIN1-P.W.Board		<a href="#">C5023</a>	08S45676W85	CAP,CER 104K-B1C -CP	
MAIN1-P.W.Board		<a href="#">C5024</a>	08S45676W80	CAP,CER 223K-B1E -CP	
MAIN1-P.W.Board		<a href="#">C5025</a>	08S45676W80	CAP,CER 223K-B1E -CP	
MAIN1-P.W.Board		<a href="#">C5026</a>	08S45676W80	CAP,CER 223K-B1E -CP	
MAIN1-P.W.Board		<a href="#">C5027</a>	08S65128F78	CAP,CER.223K-B1H -CP	
MAIN1-P.W.Board		<a href="#">C5028</a>	08T65463Y02	CAP,CER 334K-B1H -CP	
MAIN1-P.W.Board		<a href="#">C5035</a>	08S45677W60	CAP,CER 102J-CH1H-CP	
MAIN1-P.W.Board		<a href="#">C5102</a>	08S45676W80	CAP,CER 223K-B1E -CP	
MAIN1-P.W.Board		<a href="#">CB2001</a>	09-07665Z05	WTB,S24B-PADSS-1 -DB	
MAIN1-P.W.Board		<a href="#">CB3300</a>	09-14579Z02	WTB,S06B-PASK-2 -DB	
MAIN1-P.W.Board		<a href="#">CB3401</a>	09T75066Y60	FFC,IMSA9634S-60Y-EZ	
MAIN1-P.W.Board		<a href="#">CB3501</a>	09T75109Y60	BTB,IMSA9828B-60Y-EK	
MAIN1-P.W.Board		<a href="#">CB4401</a>	09T35473Y16	WTB,F169B001-16 -DB	
MAIN1-P.W.Board		<a href="#">D1001</a>	48T85357W01	DIO,1PS226 -CP	
MAIN1-P.W.Board		<a href="#">D2001</a>	48-07016Z01	DIO,KDS181-RTK -CP	
MAIN1-P.W.Board		<a href="#">D2002</a>	48-07016Z01	DIO,KDS181-RTK -CP	
MAIN1-P.W.Board		<a href="#">D2003</a>	48-07016Z01	DIO,KDS181-RTK -CP	
MAIN1-P.W.Board		<a href="#">D2004</a>	48-06706Z01	DIO,MA2J111-TX -CP	
MAIN1-P.W.Board		<a href="#">D2005</a>	48-06706Z01	DIO,MA2J111-TX -CP	
MAIN1-P.W.Board		<a href="#">D3201</a>	48-06706Z01	DIO,MA2J111-TX -CP	
MAIN1-P.W.Board		<a href="#">D3202</a>	48T75527Y01	DIO,1SR154-400 -E1	
MAIN1-P.W.Board		<a href="#">D3301</a>	48-07016Z01	DIO,KDS181-RTK -CP	
MAIN1-P.W.Board		<a href="#">D4001</a>	48-07015Z01	DIO,KDS160-RTK -CP	
MAIN1-P.W.Board		<a href="#">D4002</a>	48T75527Y01	DIO,1SR154-400 -E1	
MAIN1-P.W.Board		<a href="#">D4003</a>	48T75527Y01	DIO,1SR154-400 -E1	
MAIN1-P.W.Board		<a href="#">D4101</a>	48T75527Y01	DIO,1SR154-400 -E1	
MAIN1-P.W.Board		<a href="#">D4102</a>	48-07015Z01	DIO,KDS160-RTK -CP	
MAIN1-P.W.Board		<a href="#">D4301</a>	48T75527Y01	DIO,1SR154-400 -E1	
MAIN1-P.W.Board		<a href="#">DIN3101</a>	09T15462Y08	DIN,TCS7782-019117DB	
MAIN1-P.W.Board		<a href="#">DIN3201</a>	09T55071W11	CON,TCP9389-11 -DT	
MAIN1-P.W.Board		<a href="#">E1000</a>	23S65134W53	CAP,ELY 4R7-1V(4)-E2	
MAIN1-P.W.Board		<a href="#">E1001</a>	23T65114Y20	CAP,FK 101-1C-D -E6	
MAIN1-P.W.Board		<a href="#">E1002</a>	23T65114Y20	CAP,FK 101-1C-D -E6	

NOTE:The part that has not PART NUMBER will not be supplied.

P.W.Board	MIS	MODEL	Ref.	Parts No.	Parts Name
MAIN1-P.W.Board			<a href="#">E2000</a>	23T65114Y18	CAP,FK 22R-1C-C -E3
MAIN1-P.W.Board			<a href="#">E2003</a>	23S65134W32	CAP,ELY 22R-1C(5)-E3
MAIN1-P.W.Board			<a href="#">E2004</a>	23T65114Y10	CAP,FK 22R-1A-B -E2
MAIN1-P.W.Board			<a href="#">E2005</a>	23T65114Y23	CAP,FK 471-1C-F -EA
MAIN1-P.W.Board			<a href="#">E2006</a>	23T65114Y10	CAP,FK 22R-1A-B -E2
MAIN1-P.W.Board			<a href="#">E2007</a>	23T65114Y32	CAP,FK 4R7-1V-B -E2
MAIN1-P.W.Board			<a href="#">E2008</a>	23T65114Y32	CAP,FK 4R7-1V-B -E2
MAIN1-P.W.Board			<a href="#">E2009</a>	23T65114Y32	CAP,FK 4R7-1V-B -E2
MAIN1-P.W.Board			<a href="#">E2010</a>	23T65114Y32	CAP,FK 4R7-1V-B -E2
MAIN1-P.W.Board			<a href="#">E2011</a>	23T65114Y32	CAP,FK 4R7-1V-B -E2
MAIN1-P.W.Board			<a href="#">E2012</a>	23T65114Y19	CAP,FK 47R-1C-D -E6
MAIN1-P.W.Board			<a href="#">E2013</a>	23T65114Y18	CAP,FK 22R-1C-C -E3
MAIN1-P.W.Board			<a href="#">E2014</a>	23T65114Y18	CAP,FK 22R-1C-C -E3
MAIN1-P.W.Board			<a href="#">E2017</a>	23S65134W52	CAP,ELY 3R3-1V(3)-E2
MAIN1-P.W.Board			<a href="#">E2018</a>	23S65134W52	CAP,ELY 3R3-1V(3)-E2
MAIN1-P.W.Board			<a href="#">E2019</a>	23S65134W52	CAP,ELY 3R3-1V(3)-E2
MAIN1-P.W.Board			<a href="#">E2020</a>	23S65134W52	CAP,ELY 3R3-1V(3)-E2
MAIN1-P.W.Board			<a href="#">E2021</a>	23S65134W52	CAP,ELY 3R3-1V(3)-E2
MAIN1-P.W.Board			<a href="#">E2022</a>	23S65134W52	CAP,ELY 3R3-1V(3)-E2
MAIN1-P.W.Board			<a href="#">E2023</a>	23T65114Y18	CAP,FK 22R-1C-C -E3
MAIN1-P.W.Board			<a href="#">E3201</a>	23S65134W32	CAP,ELY 22R-1C(5)-E3
MAIN1-P.W.Board			<a href="#">E3301</a>	23T65114Y26	CAP,FK 22R-1E-C -E3
MAIN1-P.W.Board			<a href="#">E3302</a>	23T65114Y10	CAP,FK 22R-1A-B -E2
MAIN1-P.W.Board			<a href="#">E3303</a>	23T65114Y10	CAP,FK 22R-1A-B -E2
MAIN1-P.W.Board			<a href="#">E3304</a>	23T65114Y01	CAP,FK 47R-1E-D -E6
MAIN1-P.W.Board			<a href="#">E3305</a>	23T65114Y26	CAP,FK 22R-1E-C -E3
MAIN1-P.W.Board			<a href="#">E3306</a>	23S65134W36	CAP,ELY 221-1C(8)-EA
MAIN1-P.W.Board			<a href="#">E3307</a>	23S65134W32	CAP,ELY 22R-1C(5)-E3
MAIN1-P.W.Board			<a href="#">E3308</a>	23S65134W31	CAP,ELY 10R-1C(4)-E2
MAIN1-P.W.Board			<a href="#">E3309</a>	23S65134W31	CAP,ELY 10R-1C(4)-E2
MAIN1-P.W.Board			<a href="#">E3310</a>	23S65134W36	CAP,ELY 221-1C(8)-EA
MAIN1-P.W.Board			<a href="#">E3311</a>	23S65134W32	CAP,ELY 22R-1C(5)-E3
MAIN1-P.W.Board			<a href="#">E3312</a>	23S65134W32	CAP,ELY 22R-1C(5)-E3
MAIN1-P.W.Board			<a href="#">E3313</a>	23-12290Z14	CAP,FP 471-1A-F -EA
MAIN1-P.W.Board			<a href="#">E4002</a>	23T65114Y18	CAP,FK 22R-1C-C -E3
MAIN1-P.W.Board			<a href="#">E4003</a>	23T65114Y15	CAP,FK 681-1A-F -EA
MAIN1-P.W.Board			<a href="#">E4004</a>	23T65114Y23	CAP,FK 471-1C-F -EA
MAIN1-P.W.Board			<a href="#">E4005</a>	23T65114Y19	CAP,FK 47R-1C-D -E6
MAIN1-P.W.Board			<a href="#">E4006</a>	23T65114Y33	CAP,FK 10R-1V-C -E3
MAIN1-P.W.Board			<a href="#">E4007</a>	23T65114Y33	CAP,FK 10R-1V-C -E3
MAIN1-P.W.Board			<a href="#">E4008</a>	23T65114Y02	CAP,FK 221-1C-E -E6
MAIN1-P.W.Board			<a href="#">E4009</a>	23T65114Y12	CAP,FK 221-1A-D8-E6
MAIN1-P.W.Board			<a href="#">E4102</a>	23T65114Y23	CAP,FK 471-1C-F -EA
MAIN1-P.W.Board			<a href="#">E4103</a>	23S65134W11	CAP,ELY 22R-0J(4)-E2
MAIN1-P.W.Board			<a href="#">E4104</a>	23S65134W36	CAP,ELY 221-1C(8)-EA
MAIN1-P.W.Board			<a href="#">E4201</a>	23T65114Y02	CAP,FK 221-1C-E -E6
MAIN1-P.W.Board			<a href="#">E4202</a>	23S65134W23	CAP,ELY 101-1A(6)-E6
MAIN1-P.W.Board			<a href="#">E4302</a>	23S65134W36	CAP,ELY 221-1C(8)-EA
MAIN1-P.W.Board			<a href="#">E4401</a>	23T75325Y01	CAP,VB 332-1C +

NOTE:The part that has not PART NUMBER will not be supplied.

P.W.Board	MIS	MODEL	Ref.	Parts No.	Parts Name
MAIN1-P.W.Board		<a href="#">E5000</a>	23T65114Y25	CAP,FK 10R-1E-B -E2	
MAIN1-P.W.Board		<a href="#">E5001</a>	23S65134W15	CAP,ELY 331-0J(8)-E6	
MAIN1-P.W.Board		<a href="#">E5002</a>	23S65134W32	CAP,ELY 22R-1C(5)-E3	
MAIN1-P.W.Board		<a href="#">F3201</a>	65T75477Y13	FUSE,CCP2E 4.0A -CP	
MAIN1-P.W.Board		<a href="#">IC2001</a>	51T93340F02	NJM2060V-TE2 -SE2	
MAIN1-P.W.Board		<a href="#">IC2002</a>	51-11419Z01	74HC4066PW,118 -SE2	
MAIN1-P.W.Board		<a href="#">IC2003</a>	51-11419Z01	74HC4066PW,118 -SE2	
MAIN1-P.W.Board		<a href="#">IC2004</a>	51-13600Z01	TDA7717 -QT	
MAIN1-P.W.Board		<a href="#">IC2005</a>	51-14471Z01	TB2923AHQ -ZS	
MAIN1-P.W.Board		<a href="#">IC2006</a>	51T25576W07	NJM4580V-TE2 -SE2	
MAIN1-P.W.Board		<a href="#">IC3101</a>	51T35123Y01	TC7W14FK-TE85L -CP	
MAIN1-P.W.Board		<a href="#">IC3201</a>	51T55070W05	MB88385CPF-ER -SE9	
MAIN1-P.W.Board		<a href="#">IC3301</a>	51-14741Z01	AN15887A-VTU -QT	
MAIN1-P.W.Board		<a href="#">IC3302</a>	51T15567Y01	NJM2535V-TE2 -SE2	
MAIN1-P.W.Board		<a href="#">IC4001</a>	51-13711Z01	TB2920HQ -ZS	
MAIN1-P.W.Board		<a href="#">IC4002</a>	51-02830Z01	BA7810HFP -NEA	
MAIN1-P.W.Board		<a href="#">IC4101</a>	51-02248Z01	BD9781HFP-TR -NEA	
MAIN1-P.W.Board		<a href="#">IC4201</a>	51-02830Z01	BA7810HFP -NEA	
MAIN1-P.W.Board		<a href="#">IC4202</a>	51T25259Y03	BA00ASFP-E2 -NE5	
MAIN1-P.W.Board		<a href="#">IC4250</a>	51-05862Z01	NJM2845DL1-33-TE1NE5	
MAIN1-P.W.Board		<a href="#">IC4301</a>	51-02830Z01	BA7810HFP -NEA	
MAIN1-P.W.Board		<a href="#">IC5000</a>	51T25183Y02	TC7SET08FU-EL -CP	
MAIN1-P.W.Board		<a href="#">IC5001</a>	83-15943Z58	V0.7991RAAL902A_M	
MAIN1-P.W.Board		<a href="#">IC5002</a>	51T25183Y02	TC7SET08FU-EL -CP	
MAIN1-P.W.Board		<a href="#">IC5003</a>	51T15185Y02	TC7SH08FU,JF-L -CP	
MAIN1-P.W.Board		<a href="#">IC5005</a>	51T25183Y02	TC7SET08FU-EL -CP	
MAIN1-P.W.Board		<a href="#">IC5006</a>	51T65778Y01	BR24L02F-W-E2 -SE2	
MAIN1-P.W.Board		<a href="#">IC5007</a>	51T25183Y02	TC7SET08FU-EL -CP	
MAIN1-P.W.Board		<a href="#">IC5008</a>	51T75063Y06	BD5228G-TR -CP	
MAIN1-P.W.Board		<a href="#">IC5009</a>	51T45594Y01	TDA3664 -NE2	
MAIN1-P.W.Board		<a href="#">JK3301</a>	09-12459Z01	JAC,HSJ1765-011075EA	
MAIN1-P.W.Board		<a href="#">L1001</a>	24T55488Y20	IND,LLQ1608 R027J-CP	
MAIN1-P.W.Board		<a href="#">L1002</a>	24T55488Y24	IND,LLQ1608 R039J-CP	
MAIN1-P.W.Board		<a href="#">L1003</a>	24T16403W29	COI,IND.15R-M -CP	
MAIN1-P.W.Board		<a href="#">L1004</a>	24T25164Y21	IND,FSLM2520 4R7J-CP	
MAIN1-P.W.Board		<a href="#">L3500</a>	24-06212Z02	FBI,BLM15AG102SH1-CP	
MAIN1-P.W.Board		<a href="#">L4101</a>	24-05496Z03	IND,SLF12575-H68RMEA	
MAIN1-P.W.Board		<a href="#">L4102</a>	24-05547Z06	IND,SLF10145-H22RMEA	
MAIN1-P.W.Board		<a href="#">Q1002</a>	48-08602Z01	TR,2SA2071-Q-T100-E2	
MAIN1-P.W.Board		<a href="#">Q1003</a>	48-07989Z11	TR,UNR521FJ-TX -CP	
MAIN1-P.W.Board		<a href="#">Q2002</a>	48T25317Y01	TR,XN0F256-TX -CP	
MAIN1-P.W.Board		<a href="#">Q2003</a>	48T25317Y01	TR,XN0F256-TX -CP	
MAIN1-P.W.Board		<a href="#">Q2004</a>	48T25317Y01	TR,XN0F256-TX -CP	
MAIN1-P.W.Board		<a href="#">Q2005</a>	48-07989Z02	TR,UNR5212J-TX -CP	
MAIN1-P.W.Board		<a href="#">Q2006</a>	48-02302Z01	TR,XP0331100L -CP	
MAIN1-P.W.Board		<a href="#">Q2007</a>	48-07989Z01	TR,UNR5211J-TX -CP	
MAIN1-P.W.Board		<a href="#">Q2008</a>	48-07989Z02	TR,UNR5212J-TX -CP	
MAIN1-P.W.Board		<a href="#">Q2009</a>	48-02302Z01	TR,XP0331100L -CP	
MAIN1-P.W.Board		<a href="#">Q2010</a>	48-07989Z02	TR,UNR5212J-TX -CP	

NOTE:The part that has not PART NUMBER will not be supplied.

P.W.Board	MIS	MODEL	Ref.	Parts No.	Parts Name
MAIN1-P.W.Board		<a href="#">Q2011</a>	48-07989Z01	TR,UNR5211J-TX -CP	
MAIN1-P.W.Board		<a href="#">Q3001</a>	48-05471Z01	TR,XP0NG8A00-L -CP	
MAIN1-P.W.Board		<a href="#">Q3002</a>	48-05471Z01	TR,XP0NG8A00-L -CP	
MAIN1-P.W.Board		<a href="#">Q3003</a>	48-07989Z02	TR,UNR5212J-TX -CP	
MAIN1-P.W.Board		<a href="#">Q3101</a>	48-07989Z13	TR,UNR521LJ-TX -CP	
MAIN1-P.W.Board		<a href="#">Q3201</a>	48-02302Z01	TR,XP0331100L -CP	
MAIN1-P.W.Board		<a href="#">Q3202</a>	48-07987Z13	TR,UNR511LJ-TX -CP	
MAIN1-P.W.Board		<a href="#">Q3301</a>	48T63420F03	TR,2SA1037AK-R146-CP	
MAIN1-P.W.Board		<a href="#">Q3302</a>	48T25317Y01	TR,XN0F256-TX -CP	
MAIN1-P.W.Board		<a href="#">Q3500</a>	48-09581Z03	TR,KTA1505S-Y-RTK-CP	
MAIN1-P.W.Board		<a href="#">Q3501</a>	48-07989Z02	TR,UNR5212J-TX -CP	
MAIN1-P.W.Board		<a href="#">Q4001</a>	48-12535Z02	TR,XP0111200-L -CP	
MAIN1-P.W.Board		<a href="#">Q4002</a>	48-07989Z02	TR,UNR5212J-TX -CP	
MAIN1-P.W.Board		<a href="#">Q4003</a>	48-09581Z03	TR,KTA1505S-Y-RTK-CP	
MAIN1-P.W.Board		<a href="#">Q4101</a>	48T45594W08	TR ,XN1212 -TX-CP	
MAIN1-P.W.Board		<a href="#">Q4103</a>	48-07989Z03	TR,UNR5213J-TX -CP	
MAIN1-P.W.Board		<a href="#">Q4105</a>	48-07989Z03	TR,UNR5213J-TX -CP	
MAIN1-P.W.Board		<a href="#">Q4106</a>	48-07987Z01	TR,UNR5111J-TX -CP	
MAIN1-P.W.Board		<a href="#">Q5001</a>	48-09581Z03	TR,KTA1505S-Y-RTK-CP	
MAIN1-P.W.Board		<a href="#">Q5002</a>	48-07989Z04	TR,UNR5214J-TX -CP	
MAIN1-P.W.Board		<a href="#">Q5003</a>	48-07989Z03	TR,UNR5213J-TX -CP	
MAIN1-P.W.Board		<a href="#">R1001</a>	06S45674W19	RES,RK 27RJ 1/10 -CP	
MAIN1-P.W.Board		<a href="#">R1002</a>	06S45674W19	RES,RK 27RJ 1/10 -CP	
MAIN1-P.W.Board		<a href="#">R1003</a>	06S55361Y01	RES,RK 2R2J 1/4 -CP	
MAIN1-P.W.Board		<a href="#">R1005</a>	06S55361Y98	RES,RK 243J 1/4 -CP	
MAIN1-P.W.Board		<a href="#">R1006</a>	06S70072F61	RES,CP .222-J-1/4-CP	
MAIN1-P.W.Board		<a href="#">R1007</a>	06S70072F61	RES,CP .222-J-1/4-CP	
MAIN1-P.W.Board		<a href="#">R1008</a>	06S55362Y39	RES,RK JUMPER 1/4-CP	
MAIN1-P.W.Board		<a href="#">R1009</a>	06S45674W93	RES,RK 333J 1/10 -CP	
MAIN1-P.W.Board		<a href="#">R1013</a>	06S55361Y17	RES,RK 10RJ 1/4 -CP	
MAIN1-P.W.Board		<a href="#">R2001</a>	06S15593Y81	RES,RK 223F 1/10 -CP	
MAIN1-P.W.Board		<a href="#">R2002</a>	06S15593Y81	RES,RK 223F 1/10 -CP	
MAIN1-P.W.Board		<a href="#">R2003</a>	06S15593Y81	RES,RK 223F 1/10 -CP	
MAIN1-P.W.Board		<a href="#">R2004</a>	06S15593Y81	RES,RK 223F 1/10 -CP	
MAIN1-P.W.Board		<a href="#">R2005</a>	06S15593Y81	RES,RK 223F 1/10 -CP	
MAIN1-P.W.Board		<a href="#">R2006</a>	06S15593Y81	RES,RK 223F 1/10 -CP	
MAIN1-P.W.Board		<a href="#">R2007</a>	06S15593Y43	RES,RK 561F 1/10 -CP	
MAIN1-P.W.Board		<a href="#">R2008</a>	06S15593Y43	RES,RK 561F 1/10 -CP	
MAIN1-P.W.Board		<a href="#">R2009</a>	06S15593Y81	RES,RK 223F 1/10 -CP	
MAIN1-P.W.Board		<a href="#">R2010</a>	06S15593Y81	RES,RK 223F 1/10 -CP	
MAIN1-P.W.Board		<a href="#">R2011</a>	06S15593Y81	RES,RK 223F 1/10 -CP	
MAIN1-P.W.Board		<a href="#">R2012</a>	06S15593Y81	RES,RK 223F 1/10 -CP	
MAIN1-P.W.Board		<a href="#">R2013</a>	06S15593Y81	RES,RK 223F 1/10 -CP	
MAIN1-P.W.Board		<a href="#">R2014</a>	06S15593Y81	RES,RK 223F 1/10 -CP	
MAIN1-P.W.Board		<a href="#">R2015</a>	06S15593Y81	RES,RK 223F 1/10 -CP	
MAIN1-P.W.Board		<a href="#">R2016</a>	06S15593Y81	RES,RK 223F 1/10 -CP	
MAIN1-P.W.Board		<a href="#">R2017</a>	06S55365Y66	RES,RK 112J 1/10 -CP	
MAIN1-P.W.Board		<a href="#">R2018</a>	06S55365Y66	RES,RK 112J 1/10 -CP	
MAIN1-P.W.Board		<a href="#">R2019</a>	06S15593Y81	RES,RK 223F 1/10 -CP	

NOTE:The part that has not PART NUMBER will not be supplied.

P.W.Board	MIS	MODEL	Ref.	Parts No.	Parts Name
MAIN1-P.W.Board			<a href="#">R2020</a>	06S45674W81	RES,RK 103J 1/10 -CP
MAIN1-P.W.Board			<a href="#">R2021</a>	06S15593Y81	RES,RK 223F 1/10 -CP
MAIN1-P.W.Board			<a href="#">R2022</a>	06S55365Y89	RES,RK 103J 1/10 -CP
MAIN1-P.W.Board			<a href="#">R2023</a>	06S55365Y89	RES,RK 103J 1/10 -CP
MAIN1-P.W.Board			<a href="#">R2024</a>	06S35083Y45	RES,RK 473F 1/4 -CP
MAIN1-P.W.Board			<a href="#">R2025</a>	06S35083Y45	RES,RK 473F 1/4 -CP
MAIN1-P.W.Board			<a href="#">R2026</a>	06S35083Y45	RES,RK 473F 1/4 -CP
MAIN1-P.W.Board			<a href="#">R2027</a>	06S55365Y66	RES,RK 112J 1/10 -CP
MAIN1-P.W.Board			<a href="#">R2028</a>	06S55365Y66	RES,RK 112J 1/10 -CP
MAIN1-P.W.Board			<a href="#">R2035</a>	06S45674W57	RES,RK 102J 1/10 -CP
MAIN1-P.W.Board			<a href="#">R2037</a>	06S15593Y91	RES,RK 563F 1/10 -CP
MAIN1-P.W.Board			<a href="#">R2038</a>	06S15593Y91	RES,RK 563F 1/10 -CP
MAIN1-P.W.Board			<a href="#">R2039</a>	06S15593Y91	RES,RK 563F 1/10 -CP
MAIN1-P.W.Board			<a href="#">R2040</a>	06S15593Y91	RES,RK 563F 1/10 -CP
MAIN1-P.W.Board			<a href="#">R2041</a>	06S15593Y91	RES,RK 563F 1/10 -CP
MAIN1-P.W.Board			<a href="#">R2042</a>	06S15593Y91	RES,RK 563F 1/10 -CP
MAIN1-P.W.Board			<a href="#">R2043</a>	06S64995F37	RES,RK 221J 1/8 -CP
MAIN1-P.W.Board			<a href="#">R2044</a>	06S64995F37	RES,RK 221J 1/8 -CP
MAIN1-P.W.Board			<a href="#">R2045</a>	06S64995F37	RES,RK 221J 1/8 -CP
MAIN1-P.W.Board			<a href="#">R2046</a>	06S64995F37	RES,RK 221J 1/8 -CP
MAIN1-P.W.Board			<a href="#">R2047</a>	06S64995F37	RES,RK 221J 1/8 -CP
MAIN1-P.W.Board			<a href="#">R2048</a>	06S64995F37	RES,RK 221J 1/8 -CP
MAIN1-P.W.Board			<a href="#">R2049</a>	06S64995F29	RES,RK 101J 1/8 -CP
MAIN1-P.W.Board			<a href="#">R2050</a>	06S64995F29	RES,RK 101J 1/8 -CP
MAIN1-P.W.Board			<a href="#">R2051</a>	06S64995F29	RES,RK 101J 1/8 -CP
MAIN1-P.W.Board			<a href="#">R2052</a>	06S64995F29	RES,RK 101J 1/8 -CP
MAIN1-P.W.Board			<a href="#">R2053</a>	06S64995F29	RES,RK 101J 1/8 -CP
MAIN1-P.W.Board			<a href="#">R2054</a>	06S64995F29	RES,RK 101J 1/8 -CP
MAIN1-P.W.Board			<a href="#">R2055</a>	06S15593Y73	RES,RK 103F 1/10 -CP
MAIN1-P.W.Board			<a href="#">R2056</a>	06S15593Y77	RES,RK 153F 1/10 -CP
MAIN1-P.W.Board			<a href="#">R2057</a>	06S15593Y73	RES,RK 103F 1/10 -CP
MAIN1-P.W.Board			<a href="#">R2058</a>	06S15593Y89	RES,RK 473F 1/10 -CP
MAIN1-P.W.Board			<a href="#">R2059</a>	06S15593Y33	RES,RK 221F 1/10 -CP
MAIN1-P.W.Board			<a href="#">R2060</a>	06S15593Y25	RES,RK 101F 1/10 -CP
MAIN1-P.W.Board			<a href="#">R2061</a>	06S15593Y25	RES,RK 101F 1/10 -CP
MAIN1-P.W.Board			<a href="#">R2062</a>	06S15593Y73	RES,RK 103F 1/10 -CP
MAIN1-P.W.Board			<a href="#">R2063</a>	06S15593Y25	RES,RK 101F 1/10 -CP
MAIN1-P.W.Board			<a href="#">R3004</a>	06S55366Y06	RES,RK 473J 1/10 -CP
MAIN1-P.W.Board			<a href="#">R3005</a>	06S15593Y89	RES,RK 473F 1/10 -CP
MAIN1-P.W.Board			<a href="#">R3006</a>	06S15593Y89	RES,RK 473F 1/10 -CP
MAIN1-P.W.Board			<a href="#">R3007</a>	06S55361Y89	RES,RK 103J 1/4 -CP
MAIN1-P.W.Board			<a href="#">R3008</a>	06S70072F77	RES,CP .103-J-1/4-CP
MAIN1-P.W.Board			<a href="#">R3009</a>	06S55361Y89	RES,RK 103J 1/4 -CP
MAIN1-P.W.Board			<a href="#">R3101</a>	06S55361Y65	RES,RK 102J 1/4 -CP
MAIN1-P.W.Board			<a href="#">R3102</a>	06S55365Y97	RES,RK 223J 1/10 -CP
MAIN1-P.W.Board			<a href="#">R3103</a>	06S55365Y90	RES,RK 113J 1/10 -CP
MAIN1-P.W.Board			<a href="#">R3105</a>	06S55365Y81	RES,RK 472J 1/10 -CP
MAIN1-P.W.Board			<a href="#">R3106</a>	06S55365Y97	RES,RK 223J 1/10 -CP
MAIN1-P.W.Board			<a href="#">R3107</a>	06S55361Y65	RES,RK 102J 1/4 -CP

NOTE:The part that has not PART NUMBER will not be supplied.

P.W.Board	MIS	MODEL	Ref.	Parts No.	Parts Name
MAIN1-P.W.Board			<a href="#">R3108</a>	06S55361Y65	RES,RK 102J 1/4 -CP
MAIN1-P.W.Board			<a href="#">R3109</a>	06S55361Y65	RES,RK 102J 1/4 -CP
MAIN1-P.W.Board			<a href="#">R3110</a>	06S55361Y65	RES,RK 102J 1/4 -CP
MAIN1-P.W.Board			<a href="#">R3201</a>	06S15593Y65	RES,RK 472F 1/10 -CP
MAIN1-P.W.Board			<a href="#">R3202</a>	06S15593Y65	RES,RK 472F 1/10 -CP
MAIN1-P.W.Board			<a href="#">R3203</a>	06S15593Y65	RES,RK 472F 1/10 -CP
MAIN1-P.W.Board			<a href="#">R3204</a>	06S15593Y65	RES,RK 472F 1/10 -CP
MAIN1-P.W.Board			<a href="#">R3205</a>	06S15593Y65	RES,RK 472F 1/10 -CP
MAIN1-P.W.Board			<a href="#">R3206</a>	06S15593Y69	RES,RK 682F 1/10 -CP
MAIN1-P.W.Board			<a href="#">R3207</a>	06S55361Y46	RES,RK 161J 1/4 -CP
MAIN1-P.W.Board			<a href="#">R3208</a>	06S55361Y46	RES,RK 161J 1/4 -CP
MAIN1-P.W.Board			<a href="#">R3209</a>	06S15593Y53	RES,RK 152F 1/10 -CP
MAIN1-P.W.Board			<a href="#">R3210</a>	06S15593Y57	RES,RK 222F 1/10 -CP
MAIN1-P.W.Board			<a href="#">R3211</a>	06S55361Y46	RES,RK 161J 1/4 -CP
MAIN1-P.W.Board			<a href="#">R3212</a>	06S55361Y46	RES,RK 161J 1/4 -CP
MAIN1-P.W.Board			<a href="#">R3213</a>	06S55361Y17	RES,RK 10RJ 1/4 -CP
MAIN1-P.W.Board			<a href="#">R3214</a>	06S15593Y57	RES,RK 222F 1/10 -CP
MAIN1-P.W.Board			<a href="#">R3215</a>	06S15593Y53	RES,RK 152F 1/10 -CP
MAIN1-P.W.Board			<a href="#">R3216</a>	06S55361Y51	RES,RK 271J 1/4 -CP
MAIN1-P.W.Board			<a href="#">R3217</a>	06S55361Y51	RES,RK 271J 1/4 -CP
MAIN1-P.W.Board			<a href="#">R3218</a>	06S15593Y81	RES,RK 223F 1/10 -CP
MAIN1-P.W.Board			<a href="#">R3219</a>	06S45674W89	RES,RK 223J 1/10 -CP
MAIN1-P.W.Board			<a href="#">R3220</a>	06S15593Y49	RES,RK 102F 1/10 -CP
MAIN1-P.W.Board			<a href="#">R3301</a>	06S55361Y30	RES,RK 36RJ 1/4 -CP
MAIN1-P.W.Board			<a href="#">R3302</a>	06S55361Y31	RES,RK 39RJ 1/4 -CP
MAIN1-P.W.Board			<a href="#">R3303</a>	06S15593Y25	RES,RK 101F 1/10 -CP
MAIN1-P.W.Board			<a href="#">R3304</a>	06S15593Y25	RES,RK 101F 1/10 -CP
MAIN1-P.W.Board			<a href="#">R3305</a>	06S55361Y30	RES,RK 36RJ 1/4 -CP
MAIN1-P.W.Board			<a href="#">R3306</a>	06S55361Y31	RES,RK 39RJ 1/4 -CP
MAIN1-P.W.Board			<a href="#">R3307</a>	06S55361Y41	RES,RK 101J 1/4 -CP
MAIN1-P.W.Board			<a href="#">R3308</a>	06S55361Y41	RES,RK 101J 1/4 -CP
MAIN1-P.W.Board			<a href="#">R3309</a>	06S55361Y30	RES,RK 36RJ 1/4 -CP
MAIN1-P.W.Board			<a href="#">R3310</a>	06S55361Y31	RES,RK 39RJ 1/4 -CP
MAIN1-P.W.Board			<a href="#">R3311</a>	06S55361Y41	RES,RK 101J 1/4 -CP
MAIN1-P.W.Board			<a href="#">R3312</a>	06S55361Y41	RES,RK 101J 1/4 -CP
MAIN1-P.W.Board			<a href="#">R3313</a>	06S55361Y30	RES,RK 36RJ 1/4 -CP
MAIN1-P.W.Board			<a href="#">R3314</a>	06S55361Y31	RES,RK 39RJ 1/4 -CP
MAIN1-P.W.Board			<a href="#">R3315</a>	06S55361Y41	RES,RK 101J 1/4 -CP
MAIN1-P.W.Board			<a href="#">R3316</a>	06S55361Y41	RES,RK 101J 1/4 -CP
MAIN1-P.W.Board			<a href="#">R3318</a>	06S55361Y41	RES,RK 101J 1/4 -CP
MAIN1-P.W.Board			<a href="#">R3319</a>	06S55361Y41	RES,RK 101J 1/4 -CP
MAIN1-P.W.Board			<a href="#">R3320</a>	06S15594Y22	RES,RK 105F 1/10 -CP
MAIN1-P.W.Board			<a href="#">R3321</a>	06S15594Y22	RES,RK 105F 1/10 -CP
MAIN1-P.W.Board			<a href="#">R3322</a>	06S15594Y22	RES,RK 105F 1/10 -CP
MAIN1-P.W.Board			<a href="#">R3323</a>	06S15593Y91	RES,RK 563F 1/10 -CP
MAIN1-P.W.Board			<a href="#">R3324</a>	06S15593Y91	RES,RK 563F 1/10 -CP
MAIN1-P.W.Board			<a href="#">R3325</a>	06S15593Y25	RES,RK 101F 1/10 -CP
MAIN1-P.W.Board			<a href="#">R3326</a>	06S64995F37	RES,RK 221J 1/8 -CP
MAIN1-P.W.Board			<a href="#">R3327</a>	06S64995F37	RES,RK 221J 1/8 -CP


NOTE:The part that has not PART NUMBER will not be supplied.

P.W.Board	MIS	MODEL	Ref.	Parts No.	Parts Name
MAIN1-P.W.Board			<a href="#">R3328</a>	06S55361Y51	RES,RK 271J 1/4 -CP
MAIN1-P.W.Board			<a href="#">R3329</a>	06S64995F29	RES,RK 101J 1/8 -CP
MAIN1-P.W.Board			<a href="#">R3330</a>	06S64995F29	RES,RK 101J 1/8 -CP
MAIN1-P.W.Board			<a href="#">R3331</a>	06S55361Y37	RES,RK 68RJ 1/4 -CP
MAIN1-P.W.Board			<a href="#">R3332</a>	06S55363Y65	RES,RK 102J 1/8 -CP
MAIN1-P.W.Board			<a href="#">R3336</a>	06S55363Y65	RES,RK 102J 1/8 -CP
MAIN1-P.W.Board			<a href="#">R3337</a>	06S55363Y65	RES,RK 102J 1/8 -CP
MAIN1-P.W.Board			<a href="#">R3338</a>	06S55363Y65	RES,RK 102J 1/8 -CP
MAIN1-P.W.Board			<a href="#">R3339</a>	06S55363Y65	RES,RK 102J 1/8 -CP
MAIN1-P.W.Board			<a href="#">R3340</a>	06S55363Y65	RES,RK 102J 1/8 -CP
MAIN1-P.W.Board			<a href="#">R3341</a>	06S55363Y65	RES,RK 102J 1/8 -CP
MAIN1-P.W.Board			<a href="#">R3342</a>	06S55363Y65	RES,RK 102J 1/8 -CP
MAIN1-P.W.Board			<a href="#">R3343</a>	06S55363Y65	RES,RK 102J 1/8 -CP
MAIN1-P.W.Board			<a href="#">R3344</a>	06S55363Y65	RES,RK 102J 1/8 -CP
MAIN1-P.W.Board			<a href="#">R3345</a>	06S55363Y65	RES,RK 102J 1/8 -CP
MAIN1-P.W.Board			<a href="#">R3346</a>	06S55363Y65	RES,RK 102J 1/8 -CP
MAIN1-P.W.Board			<a href="#">R3347</a>	06S55361Y30	RES,RK 36RJ 1/4 -CP
MAIN1-P.W.Board			<a href="#">R3348</a>	06S55361Y31	RES,RK 39RJ 1/4 -CP
MAIN1-P.W.Board			<a href="#">R3349</a>	06S55361Y41	RES,RK 101J 1/4 -CP
MAIN1-P.W.Board			<a href="#">R3350</a>	06S55361Y41	RES,RK 101J 1/4 -CP
MAIN1-P.W.Board			<a href="#">R3504</a>	06S15593Y73	RES,RK 103F 1/10 -CP
MAIN1-P.W.Board			<a href="#">R3505</a>	06S15593Y73	RES,RK 103F 1/10 -CP
MAIN1-P.W.Board			<a href="#">R3506</a>	06S15593Y73	RES,RK 103F 1/10 -CP
MAIN1-P.W.Board			<a href="#">R3507</a>	06S15593Y73	RES,RK 103F 1/10 -CP
MAIN1-P.W.Board			<a href="#">R3508</a>	06S55365Y97	RES,RK 223J 1/10 -CP
MAIN1-P.W.Board			<a href="#">R3509</a>	06S55365Y63	RES,RK 821J 1/10 -CP
MAIN1-P.W.Board			<a href="#">R3510</a>	06S55366Y06	RES,RK 473J 1/10 -CP
MAIN1-P.W.Board			<a href="#">R4001</a>	06S55365Y97	RES,RK 223J 1/10 -CP
MAIN1-P.W.Board			<a href="#">R4002</a>	06S55366Y06	RES,RK 473J 1/10 -CP
MAIN1-P.W.Board			<a href="#">R4003</a>	06S55365Y63	RES,RK 821J 1/10 -CP
MAIN1-P.W.Board			<a href="#">R4004</a>	06S15593Y43	RES,RK 561F 1/10 -CP
MAIN1-P.W.Board			<a href="#">R4005</a>	06S15594Y23	RES,RK JUMPER1/10-CP
MAIN1-P.W.Board			<a href="#">R4006</a>	06S15593Y61	RES,RK 332F 1/10 -CP
MAIN1-P.W.Board			<a href="#">R4007</a>	06S45675W06	RES,RK 104J 1/10 -CP
MAIN1-P.W.Board			<a href="#">R4009</a>	06S45675W06	RES,RK 104J 1/10 -CP
MAIN1-P.W.Board			<a href="#">R4010</a>	06S55361Y89	RES,RK 103J 1/4 -CP
MAIN1-P.W.Board			<a href="#">R4011</a>	06S15593Y90	RES,RK 513F 1/10 -CP
MAIN1-P.W.Board			<a href="#">R4013</a>	06S35083Y43	RES,RK 333F 1/4 -CP
MAIN1-P.W.Board			<a href="#">R4014</a>	06S35083Y34	RES,RK 562F 1/4 -CP
MAIN1-P.W.Board			<a href="#">R4015</a>	06S15593Y73	RES,RK 103F 1/10 -CP
MAIN1-P.W.Board			<a href="#">R4016</a>	06S15593Y56	RES,RK 202F 1/10 -CP
MAIN1-P.W.Board			<a href="#">R4017</a>	06S15593Y93	RES,RK 683F 1/10 -CP
MAIN1-P.W.Board			<a href="#">R4018</a>	06S15593Y74	RES,RK 113F 1/10 -CP
MAIN1-P.W.Board			<a href="#">R4019</a>	06S15593Y53	RES,RK 152F 1/10 -CP
MAIN1-P.W.Board			<a href="#">R4020</a>	06S55366Y27	RES,RK 364J 1/10 -CP
MAIN1-P.W.Board			<a href="#">R4101</a>	06S55361Y85	RES,RK 682J 1/4 -CP
MAIN1-P.W.Board			<a href="#">R4103</a>	06S15594Y03	RES,RK 164F 1/10 -CP
MAIN1-P.W.Board			<a href="#">R4104</a>	06S15593Y50	RES,RK 112F 1/10 -CP
MAIN1-P.W.Board			<a href="#">R4105</a>	06S15593Y97	RES,RK 104F 1/10 -CP

NOTE:The part that has not PART NUMBER will not be supplied.

P.W.Board	MIS	MODEL	Ref.	Parts No.	Parts Name
MAIN1-P.W.Board			<a href="#">R4106</a>	06S15593Y87	RES,RK 393F 1/10 -CP
MAIN1-P.W.Board			<a href="#">R4107</a>	06S15593Y73	RES,RK 103F 1/10 -CP
MAIN1-P.W.Board			<a href="#">R4109</a>	06S15594Y14	RES,RK 474F 1/10 -CP
MAIN1-P.W.Board			<a href="#">R4110</a>	06S15593Y99	RES,RK 124F 1/10 -CP
MAIN1-P.W.Board			<a href="#">R4112</a>	06S15594Y06	RES,RK 224F 1/10 -CP
MAIN1-P.W.Board			<a href="#">R4115</a>	06S45674W33	RES,RK 101J 1/10 -CP
MAIN1-P.W.Board			<a href="#">R4118</a>	06S15593Y49	RES,RK 102F 1/10 -CP
MAIN1-P.W.Board			<a href="#">R4119</a>	06S55365Y97	RES,RK 223J 1/10 -CP
MAIN1-P.W.Board			<a href="#">R4120</a>	06S55365Y97	RES,RK 223J 1/10 -CP
MAIN1-P.W.Board			<a href="#">R4121</a>	06S55365Y97	RES,RK 223J 1/10 -CP
MAIN1-P.W.Board			<a href="#">R4123</a>	06S15594Y23	RES,RK JUMPER1/10-CP
MAIN1-P.W.Board			<a href="#">R4201</a>	06S15593Y73	RES,RK 103F 1/10 -CP
MAIN1-P.W.Board			<a href="#">R4202</a>	06S55361Y83	RES,RK 562J 1/4 -CP
MAIN1-P.W.Board			<a href="#">R4203</a>	06S15593Y79	RES,RK 183F 1/10 -CP
MAIN1-P.W.Board			<a href="#">R4204</a>	06S15593Y31	RES,RK 181F 1/10 -CP
MAIN1-P.W.Board			<a href="#">R4205</a>	06S15593Y57	RES,RK 222F 1/10 -CP
MAIN1-P.W.Board			<a href="#">R4206</a>	06S15593Y81	RES,RK 223F 1/10 -CP
MAIN1-P.W.Board			<a href="#">R4207</a>	06S55366Y27	RES,RK 364J 1/10 -CP
MAIN1-P.W.Board			<a href="#">R4208</a>	06S55362Y39	RES,RK JUMPER 1/4-CP
MAIN1-P.W.Board			<a href="#">R4250</a>	06S45674W57	RES,RK 102J 1/10 -CP
MAIN1-P.W.Board			<a href="#">R4302</a>	06S15593Y41	RES,RK 471F 1/10 -CP
MAIN1-P.W.Board			<a href="#">R4303</a>	06S15593Y73	RES,RK 103F 1/10 -CP
MAIN1-P.W.Board			<a href="#">R4304</a>	06S55366Y27	RES,RK 364J 1/10 -CP
MAIN1-P.W.Board			<a href="#">R4305</a>	06S15593Y57	RES,RK 222F 1/10 -CP
MAIN1-P.W.Board			<a href="#">R5001</a>	06S45674W57	RES,RK 102J 1/10 -CP
MAIN1-P.W.Board			<a href="#">R5002</a>	06S45674W89	RES,RK 223J 1/10 -CP
MAIN1-P.W.Board			<a href="#">R5003</a>	06S15615Y47	RES,RK 821J 1/16 -CP
MAIN1-P.W.Board			<a href="#">R5004</a>	06S55365Y98	RES,RK 243J 1/10 -CP
MAIN1-P.W.Board			<a href="#">R5005</a>	06S45674W33	RES,RK 101J 1/10 -CP
MAIN1-P.W.Board			<a href="#">R5006</a>	06S55365Y90	RES,RK 113J 1/10 -CP
MAIN1-P.W.Board			<a href="#">R5007</a>	06S55365Y97	RES,RK 223J 1/10 -CP
MAIN1-P.W.Board			<a href="#">R5008</a>	06S45674W89	RES,RK 223J 1/10 -CP
MAIN1-P.W.Board			<a href="#">R5010</a>	06S45674W57	RES,RK 102J 1/10 -CP
MAIN1-P.W.Board			<a href="#">R5011</a>	06S15593Y66	RES,RK 512F 1/10 -CP
MAIN1-P.W.Board			<a href="#">R5012</a>	06S15593Y66	RES,RK 512F 1/10 -CP
MAIN1-P.W.Board			<a href="#">R5013</a>	06S45674W81	RES,RK 103J 1/10 -CP
MAIN1-P.W.Board			<a href="#">R5015</a>	06S55365Y41	RES,RK 101J 1/10 -CP
MAIN1-P.W.Board			<a href="#">R5016</a>	06S55365Y41	RES,RK 101J 1/10 -CP
MAIN1-P.W.Board			<a href="#">R5018</a>	06S55365Y97	RES,RK 223J 1/10 -CP
MAIN1-P.W.Board			<a href="#">R5019</a>	06S55365Y90	RES,RK 113J 1/10 -CP
MAIN1-P.W.Board			<a href="#">R5022</a>	06S45674W67	RES,RK 272J 1/10 -CP
MAIN1-P.W.Board			<a href="#">R5023</a>	06S15593Y83	RES,RK 273F 1/10 -CP
MAIN1-P.W.Board			<a href="#">R5024</a>	06S15593Y63	RES,RK 392F 1/10 -CP
MAIN1-P.W.Board			<a href="#">R5025</a>	06S45674W97	RES,RK 473J 1/10 -CP
MAIN1-P.W.Board			<a href="#">R5026</a>	06S15593Y73	RES,RK 103F 1/10 -CP
MAIN1-P.W.Board			<a href="#">R5027</a>	06S55361Y65	RES,RK 102J 1/4 -CP
MAIN1-P.W.Board			<a href="#">R5032</a>	06S45674W81	RES,RK 103J 1/10 -CP
MAIN1-P.W.Board			<a href="#">R5034</a>	06S15593Y65	RES,RK 472F 1/10 -CP
MAIN1-P.W.Board			<a href="#">R5035</a>	06S15593Y65	RES,RK 472F 1/10 -CP

NOTE:The part that has not PART NUMBER will not be supplied.

P.W.Board	MIS	MODEL	Ref.	Parts No.	Parts Name
MAIN1-P.W.Board			<a href="#">R5036</a>	06S15593Y73	RES,RK 103F 1/10 -CP
MAIN1-P.W.Board			<a href="#">R5044</a>	06S45674W33	RES,RK 101J 1/10 -CP
MAIN1-P.W.Board			<a href="#">R5045</a>	06S45674W33	RES,RK 101J 1/10 -CP
MAIN1-P.W.Board			<a href="#">R5046</a>	06S45674W33	RES,RK 101J 1/10 -CP
MAIN1-P.W.Board			<a href="#">R5048</a>	06S45674W33	RES,RK 101J 1/10 -CP
MAIN1-P.W.Board			<a href="#">R5049</a>	06S45674W33	RES,RK 101J 1/10 -CP
MAIN1-P.W.Board			<a href="#">R5050</a>	06S45674W33	RES,RK 101J 1/10 -CP
MAIN1-P.W.Board			<a href="#">R5051</a>	06S45674W33	RES,RK 101J 1/10 -CP
MAIN1-P.W.Board			<a href="#">R5052</a>	06S45674W33	RES,RK 101J 1/10 -CP
MAIN1-P.W.Board			<a href="#">R5053</a>	06S45674W33	RES,RK 101J 1/10 -CP
MAIN1-P.W.Board			<a href="#">R5054</a>	06S45674W33	RES,RK 101J 1/10 -CP
MAIN1-P.W.Board			<a href="#">R5056</a>	06S45674W33	RES,RK 101J 1/10 -CP
MAIN1-P.W.Board			<a href="#">R5057</a>	06S45674W33	RES,RK 101J 1/10 -CP
MAIN1-P.W.Board			<a href="#">R5058</a>	06S45674W33	RES,RK 101J 1/10 -CP
MAIN1-P.W.Board			<a href="#">R5060</a>	06S45674W33	RES,RK 101J 1/10 -CP
MAIN1-P.W.Board			<a href="#">R5061</a>	06S45674W33	RES,RK 101J 1/10 -CP
MAIN1-P.W.Board			<a href="#">R5062</a>	06S45674W33	RES,RK 101J 1/10 -CP
MAIN1-P.W.Board			<a href="#">R5063</a>	06S45674W33	RES,RK 101J 1/10 -CP
MAIN1-P.W.Board			<a href="#">R5064</a>	06S45674W33	RES,RK 101J 1/10 -CP
MAIN1-P.W.Board			<a href="#">R5065</a>	06S45674W33	RES,RK 101J 1/10 -CP
MAIN1-P.W.Board			<a href="#">R5066</a>	06S45674W33	RES,RK 101J 1/10 -CP
MAIN1-P.W.Board			<a href="#">R5067</a>	06S45674W33	RES,RK 101J 1/10 -CP
MAIN1-P.W.Board			<a href="#">R5068</a>	06S45674W33	RES,RK 101J 1/10 -CP
MAIN1-P.W.Board			<a href="#">R5071</a>	06S45674W33	RES,RK 101J 1/10 -CP
MAIN1-P.W.Board			<a href="#">R5072</a>	06S45674W33	RES,RK 101J 1/10 -CP
MAIN1-P.W.Board			<a href="#">R5074</a>	06S55366Y06	RES,RK 473J 1/10 -CP
MAIN1-P.W.Board			<a href="#">R5076</a>	06S55365Y97	RES,RK 223J 1/10 -CP
MAIN1-P.W.Board			<a href="#">R5078</a>	06S45674W33	RES,RK 101J 1/10 -CP
MAIN1-P.W.Board			<a href="#">R5079</a>	06S45674W33	RES,RK 101J 1/10 -CP
MAIN1-P.W.Board			<a href="#">R5081</a>	06S45674W97	RES,RK 473J 1/10 -CP
MAIN1-P.W.Board			<a href="#">R5082</a>	06S45674W97	RES,RK 473J 1/10 -CP
MAIN1-P.W.Board			<a href="#">R5083</a>	06S45674W97	RES,RK 473J 1/10 -CP
MAIN1-P.W.Board			<a href="#">R5086</a>	06S45674W57	RES,RK 102J 1/10 -CP
MAIN1-P.W.Board			<a href="#">R5087</a>	06S45674W57	RES,RK 102J 1/10 -CP
MAIN1-P.W.Board			<a href="#">R5100</a>	06S15593Y73	RES,RK 103F 1/10 -CP
MAIN1-P.W.Board			<a href="#">RA5002</a>	06S45591W07	RES,ARY MNR101J 4-CP
MAIN1-P.W.Board			<a href="#">RA5003</a>	06S45591W07	RES,ARY MNR101J 4-CP
MAIN1-P.W.Board			<a href="#">SA1001</a>	48-00954Z01	VST,CSA30C201M-T -CP
MAIN1-P.W.Board			<a href="#">SD4100</a>	48-06874Z03	DIO,SHT MA24D52-TXE1
MAIN1-P.W.Board			<a href="#">SD4101</a>	48-06874Z03	DIO,SHT MA24D52-TXE1
MAIN1-P.W.Board			<a href="#">SW2001</a>	40T45282W02	SW,SLIDE SLD-42-508X
MAIN1-P.W.Board			<a href="#">SW2002</a>	40T15452Y01	SW,SLIDE SLD-62-724X
MAIN1-P.W.Board			<a href="#">TU1001</a>	TU-00887Z03	TUNER,MX-A210
MAIN1-P.W.Board			<a href="#">VT1001</a>	24T35286Y02	IND,MG56 332J -DB
MAIN1-P.W.Board			<a href="#">XL3201</a>	91-12380Z01	XTL,XJ 4.000M -E9
MAIN1-P.W.Board			<a href="#">XL5001</a>	91T95554W03	XTL,CM200S 32.76K-E5
MAIN1-P.W.Board			<a href="#">XL5002</a>	91-12380Z01	XTL,XJ 4.000M -E9
MAIN1-P.W.Board			<a href="#">Z5001</a>	91T65112W06	EMI,BK2125HM102 -CP
MAIN1-P.W.Board			<a href="#">ZD3101</a>	48-02645Z09	DIO,ZEN MAZ80360L-CP






NOTE:The part that has not PART NUMBER will not be supplied.

P.W.Board	MIS	MODEL	Ref.	Parts No.	Parts Name
MAIN1-P.W.Board		<a href="#">ZD3201</a>	48T35392Y06		DIO,ZEN RLZ7.5A -CP
MAIN1-P.W.Board		<a href="#">ZD3202</a>	48-11191Z23		DIO,ZEN MAZ8056GM-CP
MAIN1-P.W.Board		<a href="#">ZD3203</a>	48T35392Y06		DIO,ZEN RLZ7.5A -CP
MAIN1-P.W.Board		<a href="#">ZD3300</a>	48-12488Z01		DIO,ZEN MAZ9062H -CP
MAIN1-P.W.Board		<a href="#">ZD3301</a>	48-12488Z01		DIO,ZEN MAZ9062H -CP
MAIN1-P.W.Board		<a href="#">ZD3302</a>	48-12488Z01		DIO,ZEN MAZ9062H -CP
MAIN1-P.W.Board		<a href="#">ZD3303</a>	48-12488Z01		DIO,ZEN MAZ9062H -CP
MAIN1-P.W.Board		<a href="#">ZD4401</a>	48-02592Z01		DIO,ZEN Z5W27VJ -EA
MAIN2-P.W.Board		<a href="#">C6001</a>	08S45677W49		CAP,CER 361J-CH1H-CP
MAIN2-P.W.Board		<a href="#">C6002</a>	08S45676W85		CAP,CER 104K-B1C -CP
MAIN2-P.W.Board		<a href="#">C6003</a>	08S45676W85		CAP,CER 104K-B1C -CP
MAIN2-P.W.Board		<a href="#">C6004</a>	08S45676W85		CAP,CER 104K-B1C -CP
MAIN2-P.W.Board		<a href="#">C6005</a>	08S45676W85		CAP,CER 104K-B1C -CP
MAIN2-P.W.Board		<a href="#">C6006</a>	08S45676W85		CAP,CER 104K-B1C -CP
MAIN2-P.W.Board		<a href="#">C6007</a>	08S45676W85		CAP,CER 104K-B1C -CP
MAIN2-P.W.Board		<a href="#">C6008</a>	08S45231Y16		CAP,CER 18RJ-CH1H-CP
MAIN2-P.W.Board		<a href="#">C6009</a>	08S45231Y15		CAP,CER 15RJ-CH1H-CP
MAIN2-P.W.Board		<a href="#">C6010</a>	08S45676W65		CAP,CER.222K-B1H -CP
MAIN2-P.W.Board		<a href="#">C6011</a>	08S45676W85		CAP,CER 104K-B1C -CP
MAIN2-P.W.Board		<a href="#">C6012</a>	08S45676W85		CAP,CER 104K-B1C -CP
MAIN2-P.W.Board		<a href="#">C6013</a>	08S45676W85		CAP,CER 104K-B1C -CP
MAIN2-P.W.Board		<a href="#">C6014</a>	08S45676W85		CAP,CER 104K-B1C -CP
MAIN2-P.W.Board		<a href="#">C6015</a>	08S45676W85		CAP,CER 104K-B1C -CP
MAIN2-P.W.Board		<a href="#">C6016</a>	08S45676W85		CAP,CER 104K-B1C -CP
MAIN2-P.W.Board		<a href="#">C6017</a>	08S45676W85		CAP,CER 104K-B1C -CP
MAIN2-P.W.Board		<a href="#">C6018</a>	08S45676W85		CAP,CER 104K-B1C -CP
MAIN2-P.W.Board		<a href="#">C6019</a>	08S45676W85		CAP,CER 104K-B1C -CP
MAIN2-P.W.Board		<a href="#">C6020</a>	08S45676W85		CAP,CER 104K-B1C -CP
MAIN2-P.W.Board		<a href="#">C6021</a>	08S45676W85		CAP,CER 104K-B1C -CP
MAIN2-P.W.Board		<a href="#">C6022</a>	08S45676W80		CAP,CER 223K-B1E -CP
MAIN2-P.W.Board		<a href="#">C6023</a>	08S45677W36		CAP,CER.101J-CH1H-CP
MAIN2-P.W.Board		<a href="#">C6025</a>	08S45677W60		CAP,CER 102J-CH1H-CP
MAIN2-P.W.Board		<a href="#">C6050</a>	08S45676W85		CAP,CER 104K-B1C -CP
MAIN2-P.W.Board		<a href="#">C6052</a>	08S45677W52		CAP,CER 471J-CH1H-CP
MAIN2-P.W.Board		<a href="#">C6053</a>	08S45677W52		CAP,CER 471J-CH1H-CP
MAIN2-P.W.Board		<a href="#">C6054</a>	08S45676W80		CAP,CER 223K-B1E -CP
MAIN2-P.W.Board		<a href="#">C6057</a>	08S45677W48		CAP,CER.331J-CH1H-CP
MAIN2-P.W.Board		<a href="#">C6058</a>	08S45677W48		CAP,CER.331J-CH1H-CP
MAIN2-P.W.Board		<a href="#">C6059</a>	08S45677W38		CAP,CER 121J-CH1H-CP
MAIN2-P.W.Board		<a href="#">C6060</a>	08S45677W38		CAP,CER 121J-CH1H-CP
MAIN2-P.W.Board		<a href="#">C6061</a>	08S45676W73		CAP,CER.103K-B1H -CP
MAIN2-P.W.Board		<a href="#">C6062</a>	08S65670Y01		CAP,CER 106KX5R1C-CP
MAIN2-P.W.Board		<a href="#">C6063</a>	08S45676W73		CAP,CER.103K-B1H -CP
MAIN2-P.W.Board		<a href="#">C6064</a>	08S65670Y01		CAP,CER 106KX5R1C-CP
MAIN2-P.W.Board		<a href="#">C6065</a>	08S65670Y01		CAP,CER 106KX5R1C-CP
MAIN2-P.W.Board		<a href="#">C6066</a>	08S45676W85		CAP,CER 104K-B1C -CP
MAIN2-P.W.Board		<a href="#">C6090</a>	08S45676W80		CAP,CER 223K-B1E -CP
MAIN2-P.W.Board		<a href="#">C6091</a>	08S65670Y01		CAP,CER 106KX5R1C-CP
MAIN2-P.W.Board		<a href="#">C6092</a>	08S45676W80		CAP,CER 223K-B1E -CP

NOTE:The part that has not PART NUMBER will not be supplied.

P.W.Board	MIS	MODEL	Ref.	Parts No.	Parts Name
MAIN2-P.W.Board			<a href="#">C6093</a>	08S45676W85	CAP,CER 104K-B1C -CP
MAIN2-P.W.Board			<a href="#">C6094</a>	08S45676W80	CAP,CER 223K-B1E -CP
MAIN2-P.W.Board			<a href="#">C6095</a>	08S65670Y01	CAP,CER 106KX5R1C-CP
MAIN2-P.W.Board			<a href="#">C6096</a>	08S65676Y03	CAP,CER 225KX7R1C-CP
MAIN2-P.W.Board			<a href="#">C6097</a>	08S45676W85	CAP,CER 104K-B1C -CP
MAIN2-P.W.Board			<a href="#">C6098</a>	08S45676W85	CAP,CER 104K-B1C -CP
MAIN2-P.W.Board			<a href="#">C6099</a>	08S45676W80	CAP,CER 223K-B1E -CP
MAIN2-P.W.Board			<a href="#">C6100</a>	08S45676W73	CAP,CER.103K-B1H -CP
MAIN2-P.W.Board			<a href="#">C6101</a>	08S45676W73	CAP,CER.103K-B1H -CP
MAIN2-P.W.Board			<a href="#">C6200</a>	08S45676W85	CAP,CER 104K-B1C -CP
MAIN2-P.W.Board			<a href="#">C6201</a>	08S45676W85	CAP,CER 104K-B1C -CP
MAIN2-P.W.Board			<a href="#">C6202</a>	08S45676W85	CAP,CER 104K-B1C -CP
MAIN2-P.W.Board			<a href="#">C6203</a>	08S45676W85	CAP,CER 104K-B1C -CP
MAIN2-P.W.Board			<a href="#">C6204</a>	08S45676W85	CAP,CER 104K-B1C -CP
MAIN2-P.W.Board			<a href="#">C6205</a>	08S45676W85	CAP,CER 104K-B1C -CP
MAIN2-P.W.Board			<a href="#">C6206</a>	08S45676W85	CAP,CER 104K-B1C -CP
MAIN2-P.W.Board			<a href="#">C6300</a>	08S45676W85	CAP,CER 104K-B1C -CP
MAIN2-P.W.Board			<a href="#">C6301</a>	08S45677W09	CAP,CER 7R0D-CH1H-CP
MAIN2-P.W.Board			<a href="#">C6302</a>	08S45677W08	CAP,CER.6R0D-CH1H-CP
MAIN2-P.W.Board			<a href="#">C6303</a>	08S45676W85	CAP,CER 104K-B1C -CP
MAIN2-P.W.Board			<a href="#">C6304</a>	08S65670Y01	CAP,CER 106KX5R1C-CP
MAIN2-P.W.Board			<a href="#">C6400</a>	08S60102F48	CAP,CER 105K-B1E -CP
MAIN2-P.W.Board			<a href="#">C6401</a>	08S60102F48	CAP,CER 105K-B1E -CP
MAIN2-P.W.Board			<a href="#">C6402</a>	08S60102F48	CAP,CER 105K-B1E -CP
MAIN2-P.W.Board			<a href="#">C6403</a>	08S60102F48	CAP,CER 105K-B1E -CP
MAIN2-P.W.Board			<a href="#">C6404</a>	08T81833F07	CAP,CER 105K-B1C -CP
MAIN2-P.W.Board			<a href="#">C6405</a>	08T81833F07	CAP,CER 105K-B1C -CP
MAIN2-P.W.Board			<a href="#">C6406</a>	08T81833F07	CAP,CER 105K-B1C -CP
MAIN2-P.W.Board			<a href="#">C6407</a>	08T81833F07	CAP,CER 105K-B1C -CP
MAIN2-P.W.Board			<a href="#">C6408</a>	08T81833F07	CAP,CER 105K-B1C -CP
MAIN2-P.W.Board			<a href="#">C6409</a>	08T81833F07	CAP,CER 105K-B1C -CP
MAIN2-P.W.Board			<a href="#">C6410</a>	08T81833F07	CAP,CER 105K-B1C -CP
MAIN2-P.W.Board			<a href="#">C6411</a>	08T81833F07	CAP,CER 105K-B1C -CP
MAIN2-P.W.Board			<a href="#">C6421</a>	08S45677W36	CAP,CER.101J-CH1H-CP
MAIN2-P.W.Board			<a href="#">C6422</a>	08S45677W36	CAP,CER.101J-CH1H-CP
MAIN2-P.W.Board			<a href="#">C6423</a>	08S45677W36	CAP,CER.101J-CH1H-CP
MAIN2-P.W.Board			<a href="#">C6424</a>	08S45677W36	CAP,CER.101J-CH1H-CP
MAIN2-P.W.Board			<a href="#">C6425</a>	08S45677W36	CAP,CER.101J-CH1H-CP
MAIN2-P.W.Board			<a href="#">C6426</a>	08S45677W36	CAP,CER.101J-CH1H-CP
MAIN2-P.W.Board			<a href="#">C6427</a>	08S45677W36	CAP,CER.101J-CH1H-CP
MAIN2-P.W.Board			<a href="#">C6428</a>	08S45677W36	CAP,CER.101J-CH1H-CP
MAIN2-P.W.Board			<a href="#">C6501</a>	08S45677W60	CAP,CER 102J-CH1H-CP
MAIN2-P.W.Board			<a href="#">C6502</a>	08S45677W60	CAP,CER 102J-CH1H-CP
MAIN2-P.W.Board			<a href="#">C6600</a>	08S45676W73	CAP,CER.103K-B1H -CP
MAIN2-P.W.Board			<a href="#">C6601</a>	08S45676W85	CAP,CER 104K-B1C -CP
MAIN2-P.W.Board			<a href="#">C6602</a>	08S45676W65	CAP,CER.222K-B1H -CP
MAIN2-P.W.Board			<a href="#">C6603</a>	08S45676W80	CAP,CER 223K-B1E -CP
MAIN2-P.W.Board			<a href="#">C6604</a>	08S45676W80	CAP,CER 223K-B1E -CP
MAIN2-P.W.Board			<a href="#">C6606</a>	08S45676W80	CAP,CER 223K-B1E -CP

NOTE:The part that has not PART NUMBER will not be supplied.

P.W.Board	MIS	MODEL	Ref.	Parts No.	Parts Name
MAIN2-P.W.Board			<a href="#">C6607</a>	08S45676W85	CAP,CER 104K-B1C -CP
MAIN2-P.W.Board			<a href="#">C6608</a>	08S65128F78	CAP,CER.223K-B1H -CP
MAIN2-P.W.Board			<a href="#">C6609</a>	08S45676W80	CAP,CER 223K-B1E -CP
MAIN2-P.W.Board			<a href="#">C6700</a>	08S45676W80	CAP,CER 223K-B1E -CP
MAIN2-P.W.Board			<a href="#">CB6051</a>	09-11455Z01	SKT,YKF45-0039N -DB
MAIN2-P.W.Board			<a href="#">CB6600</a>	09T13515W06	WTB,5569-06A1 -DB
MAIN2-P.W.Board			<a href="#">CB6900</a>	09T75066Y60	FFC,IMSA9634S-60Y-EZ
MAIN2-P.W.Board			<a href="#">D6600</a>	48T45254W03	DIO,SI-MA142WK -CP
MAIN2-P.W.Board			<a href="#">D6700</a>	48-06706Z01	DIO,MA2J111-TX -CP
MAIN2-P.W.Board			<a href="#">DIN6700</a>	09T15462Y02	DIN,TCS7741-01WA -DB
MAIN2-P.W.Board			<a href="#">E6050</a>	23T65114Y23	CAP,FK 471-1C-F -EA
MAIN2-P.W.Board			<a href="#">E6051</a>	23S65134W31	CAP,ELY 10R-1C(4)-E2
MAIN2-P.W.Board			<a href="#">E6052</a>	23S65134W52	CAP,ELY 3R3-1V(3)-E2
MAIN2-P.W.Board			<a href="#">E6053</a>	23S65134W52	CAP,ELY 3R3-1V(3)-E2
MAIN2-P.W.Board			<a href="#">E6090</a>	23S65134W81	CAP,ELY 22R-1C(4)-E2
MAIN2-P.W.Board			<a href="#">E6091</a>	23T65114Y23	CAP,FK 471-1C-F -EA
MAIN2-P.W.Board			<a href="#">IC6001</a>	51-10941Z01	TCC8600 -QT
MAIN2-P.W.Board			<a href="#">IC6050</a>	51-04231Z01	WM8725GED/RV -SE5
MAIN2-P.W.Board			<a href="#">IC6051</a>	51T25576W07	NJM4580V-TE2 -SE2
MAIN2-P.W.Board			<a href="#">IC6089</a>	51T15191Y01	TC74VHC08FT-EL -SE5
MAIN2-P.W.Board			<a href="#">IC6090</a>	51-11433Z01	RT9702AGB -CP
MAIN2-P.W.Board			<a href="#">IC6091</a>	51-05862Z01	NJM2845DL1-33-TE1NE5
MAIN2-P.W.Board			<a href="#">IC6092</a>	51-12158Z01	S-1132B18-M5T1G -CP
MAIN2-P.W.Board			<a href="#">IC6093</a>	51T15185Y02	TC7SH08FU,JF-L -CP
MAIN2-P.W.Board			<a href="#">IC6100</a>	83-15943Z60	V1.1051_EPF
MAIN2-P.W.Board			<a href="#">IC6200</a>	51-11501Z01	HY57V641620FTP-HI-ST
MAIN2-P.W.Board			<a href="#">IC6300</a>	51-09817Z03	341S2307 -LE6
MAIN2-P.W.Board			<a href="#">IC6400</a>	51-03721Z01	NJM2505F-TE1 -CP
MAIN2-P.W.Board			<a href="#">IC6402</a>	51-03721Z01	NJM2505F-TE1 -CP
MAIN2-P.W.Board			<a href="#">IC6403</a>	51-03721Z01	NJM2505F-TE1 -CP
MAIN2-P.W.Board			<a href="#">IC6410</a>	51-03721Z01	NJM2505F-TE1 -CP
MAIN2-P.W.Board			<a href="#">IC6600</a>	51T93532F05	TC4S01F-TE85L -CP
MAIN2-P.W.Board			<a href="#">IC6601</a>	51T25183Y02	TC7SET08FU-EL -CP
MAIN2-P.W.Board			<a href="#">IC6602</a>	51-11440Z01	74HC4051PW,118 -SE2
MAIN2-P.W.Board			<a href="#">IC6603</a>	51-11440Z01	74HC4051PW,118 -SE2
MAIN2-P.W.Board			<a href="#">IC6700</a>	51T15192Y01	TC74VHC14FT-EL -SE5
MAIN2-P.W.Board			<a href="#">JK6001</a>	09T03156K01	JAC,CK-3.5-14 -DB
MAIN2-P.W.Board			<a href="#">JK6500</a>	09T15627W04	RCA,T6314-AACB -DB
MAIN2-P.W.Board			<a href="#">L6003</a>	24-06212Z02	FBI,BLM15AG102SH1-CP
MAIN2-P.W.Board			<a href="#">L6004</a>	24T95456W27	FBI,BLM18PG181SH1-CP
MAIN2-P.W.Board			<a href="#">L6005</a>	24-06212Z02	FBI,BLM15AG102SH1-CP
MAIN2-P.W.Board			<a href="#">Q6003</a>	48-05471Z01	TR,XP0NG8A00-L -CP
MAIN2-P.W.Board			<a href="#">Q6089</a>	48-02302Z01	TR,XP0331100L -CP
MAIN2-P.W.Board			<a href="#">Q6600</a>	48-07989Z01	TR,UNR5211J-TX -CP
MAIN2-P.W.Board			<a href="#">Q6601</a>	48-11159Z01	TR,2SA2122G0L-TX -CP
MAIN2-P.W.Board			<a href="#">Q6602</a>	48-07989Z02	TR,UNR5212J-TX -CP
MAIN2-P.W.Board			<a href="#">Q6700</a>	48-07989Z13	TR,UNR521LJ-TX -CP
MAIN2-P.W.Board			<a href="#">R6004</a>	06S45674W89	RES,RK 223J 1/10 -CP
MAIN2-P.W.Board			<a href="#">R6005</a>	06S15615Y25	RES,RK 101J 1/16 -CP

NOTE:The part that has not PART NUMBER will not be supplied.

P.W.Board	MIS	MODEL	Ref.	Parts No.	Parts Name
MAIN2-P.W.Board			<a href="#">R6006</a>	06S15615Y25	RES,RK 101J 1/16 -CP
MAIN2-P.W.Board			<a href="#">R6007</a>	06S15615Y25	RES,RK 101J 1/16 -CP
MAIN2-P.W.Board			<a href="#">R6008</a>	06S15615Y25	RES,RK 101J 1/16 -CP
MAIN2-P.W.Board			<a href="#">R6009</a>	06S15615Y65	RES,RK 472J 1/16 -CP
MAIN2-P.W.Board			<a href="#">R6010</a>	06S15615Y65	RES,RK 472J 1/16 -CP
MAIN2-P.W.Board			<a href="#">R6011</a>	06S15615Y65	RES,RK 472J 1/16 -CP
MAIN2-P.W.Board			<a href="#">R6012</a>	06S15615Y81	RES,RK 223J 1/16 -CP
MAIN2-P.W.Board			<a href="#">R6014</a>	06S15615Y25	RES,RK 101J 1/16 -CP
MAIN2-P.W.Board			<a href="#">R6015</a>	06S15615Y25	RES,RK 101J 1/16 -CP
MAIN2-P.W.Board			<a href="#">R6016</a>	06S15615Y65	RES,RK 472J 1/16 -CP
MAIN2-P.W.Board			<a href="#">R6017</a>	06S15615Y77	RES,RK 153J 1/16 -CP
MAIN2-P.W.Board			<a href="#">R6018</a>	06S15615Y77	RES,RK 153J 1/16 -CP
MAIN2-P.W.Board			<a href="#">R6019</a>	06S15615Y13	RES,RK 33RJ 1/16 -CP
MAIN2-P.W.Board			<a href="#">R6020</a>	06S15616Y40	RES,RK 565J 1/16 -CP
MAIN2-P.W.Board			<a href="#">R6021</a>	06S15615Y25	RES,RK 101J 1/16 -CP
MAIN2-P.W.Board			<a href="#">R6022</a>	06S15615Y25	RES,RK 101J 1/16 -CP
MAIN2-P.W.Board			<a href="#">R6023</a>	06S15615Y25	RES,RK 101J 1/16 -CP
MAIN2-P.W.Board			<a href="#">R6024</a>	06S15615Y25	RES,RK 101J 1/16 -CP
MAIN2-P.W.Board			<a href="#">R6025</a>	06S15615Y25	RES,RK 101J 1/16 -CP
MAIN2-P.W.Board			<a href="#">R6026</a>	06S15615Y25	RES,RK 101J 1/16 -CP
MAIN2-P.W.Board			<a href="#">R6027</a>	06S15615Y89	RES,RK 473J 1/16 -CP
MAIN2-P.W.Board			<a href="#">R6028</a>	06S15615Y65	RES,RK 472J 1/16 -CP
MAIN2-P.W.Board			<a href="#">R6029</a>	06S15615Y65	RES,RK 472J 1/16 -CP
MAIN2-P.W.Board			<a href="#">R6030</a>	06S15615Y65	RES,RK 472J 1/16 -CP
MAIN2-P.W.Board			<a href="#">R6031</a>	06S15615Y65	RES,RK 472J 1/16 -CP
MAIN2-P.W.Board			<a href="#">R6032</a>	06S15615Y65	RES,RK 472J 1/16 -CP
MAIN2-P.W.Board			<a href="#">R6033</a>	06S15615Y65	RES,RK 472J 1/16 -CP
MAIN2-P.W.Board			<a href="#">R6034</a>	06S15615Y65	RES,RK 472J 1/16 -CP
MAIN2-P.W.Board			<a href="#">R6035</a>	06S15615Y65	RES,RK 472J 1/16 -CP
MAIN2-P.W.Board			<a href="#">R6036</a>	06S15615Y65	RES,RK 472J 1/16 -CP
MAIN2-P.W.Board			<a href="#">R6037</a>	06S15615Y65	RES,RK 472J 1/16 -CP
MAIN2-P.W.Board			<a href="#">R6038</a>	06S15615Y65	RES,RK 472J 1/16 -CP
MAIN2-P.W.Board			<a href="#">R6050</a>	06S45674W81	RES,RK 103J 1/10 -CP
MAIN2-P.W.Board			<a href="#">R6051</a>	06S15593Y72	RES,RK 912F 1/10 -CP
MAIN2-P.W.Board			<a href="#">R6052</a>	06S45674W80	RES,RK 912J 1/10 -CP
MAIN2-P.W.Board			<a href="#">R6053</a>	06S15593Y73	RES,RK 103F 1/10 -CP
MAIN2-P.W.Board			<a href="#">R6056</a>	06S15615Y65	RES,RK 472J 1/16 -CP
MAIN2-P.W.Board			<a href="#">R6057</a>	06S15615Y65	RES,RK 472J 1/16 -CP
MAIN2-P.W.Board			<a href="#">R6058</a>	06S15615Y65	RES,RK 472J 1/16 -CP
MAIN2-P.W.Board			<a href="#">R6060</a>	06S15615Y65	RES,RK 472J 1/16 -CP
MAIN2-P.W.Board			<a href="#">R6061</a>	06S15615Y65	RES,RK 472J 1/16 -CP
MAIN2-P.W.Board			<a href="#">R6062</a>	06S15615Y65	RES,RK 472J 1/16 -CP
MAIN2-P.W.Board			<a href="#">R6063</a>	06S55361Y21	RES,RK 15RJ 1/4 -CP
MAIN2-P.W.Board			<a href="#">R6064</a>	06S55361Y21	RES,RK 15RJ 1/4 -CP
MAIN2-P.W.Board			<a href="#">R6065</a>	06S15615Y77	RES,RK 153J 1/16 -CP
MAIN2-P.W.Board			<a href="#">R6066</a>	06S15615Y77	RES,RK 153J 1/16 -CP
MAIN2-P.W.Board			<a href="#">R6067</a>	06S15593Y57	RES,RK 222F 1/10 -CP
MAIN2-P.W.Board			<a href="#">R6068</a>	06S15593Y57	RES,RK 222F 1/10 -CP
MAIN2-P.W.Board			<a href="#">R6069</a>	06S55365Y66	RES,RK 112J 1/10 -CP

NOTE:The part that has not PART NUMBER will not be supplied.

P.W.Board	MIS	MODEL	Ref.	Parts No.	Parts Name
MAIN2-P.W.Board			<a href="#">R6070</a>	06S55365Y66	RES,RK 112J 1/10 -CP
MAIN2-P.W.Board			<a href="#">R6071</a>	06S45674W25	RES,RK 47RJ 1/10 -CP
MAIN2-P.W.Board			<a href="#">R6072</a>	06S45674W25	RES,RK 47RJ 1/10 -CP
MAIN2-P.W.Board			<a href="#">R6075</a>	06S15593Y73	RES,RK 103F 1/10 -CP
MAIN2-P.W.Board			<a href="#">R6076</a>	06S45674W81	RES,RK 103J 1/10 -CP
MAIN2-P.W.Board			<a href="#">R6077</a>	06S45674W81	RES,RK 103J 1/10 -CP
MAIN2-P.W.Board			<a href="#">R6078</a>	06S15593Y88	RES,RK 433F 1/10 -CP
MAIN2-P.W.Board			<a href="#">R6079</a>	06S15593Y88	RES,RK 433F 1/10 -CP
MAIN2-P.W.Board			<a href="#">R6080</a>	06S15593Y69	RES,RK 682F 1/10 -CP
MAIN2-P.W.Board			<a href="#">R6081</a>	06S15593Y69	RES,RK 682F 1/10 -CP
MAIN2-P.W.Board			<a href="#">R6082</a>	06S45674W81	RES,RK 103J 1/10 -CP
MAIN2-P.W.Board			<a href="#">R6090</a>	06S45674W33	RES,RK 101J 1/10 -CP
MAIN2-P.W.Board			<a href="#">R6091</a>	06S45674W57	RES,RK 102J 1/10 -CP
MAIN2-P.W.Board			<a href="#">R6092</a>	06S55365Y41	RES,RK 101J 1/10 -CP
MAIN2-P.W.Board			<a href="#">R6093</a>	06S55366Y39	RES,RK JUMPER1/10-CP
MAIN2-P.W.Board			<a href="#">R6095</a>	06S55361Y47	RES,RK 181J 1/4 -CP
MAIN2-P.W.Board			<a href="#">R6096</a>	06S15615Y13	RES,RK 33RJ 1/16 -CP
MAIN2-P.W.Board			<a href="#">R6097</a>	06S45674W99	RES,RK 563J 1/10 -CP
MAIN2-P.W.Board			<a href="#">R6098</a>	06S55365Y47	RES,RK 181J 1/10 -CP
MAIN2-P.W.Board			<a href="#">R6099</a>	06S55361Y47	RES,RK 181J 1/4 -CP
MAIN2-P.W.Board			<a href="#">R6101</a>	06S15615Y25	RES,RK 101J 1/16 -CP
MAIN2-P.W.Board			<a href="#">R6102</a>	06S15615Y13	RES,RK 33RJ 1/16 -CP
MAIN2-P.W.Board			<a href="#">R6103</a>	06S15615Y13	RES,RK 33RJ 1/16 -CP
MAIN2-P.W.Board			<a href="#">R6104</a>	06S15615Y13	RES,RK 33RJ 1/16 -CP
MAIN2-P.W.Board			<a href="#">R6105</a>	06S15615Y13	RES,RK 33RJ 1/16 -CP
MAIN2-P.W.Board			<a href="#">R6106</a>	06S15615Y13	RES,RK 33RJ 1/16 -CP
MAIN2-P.W.Board			<a href="#">R6107</a>	06S15615Y13	RES,RK 33RJ 1/16 -CP
MAIN2-P.W.Board			<a href="#">R6108</a>	06S15615Y13	RES,RK 33RJ 1/16 -CP
MAIN2-P.W.Board			<a href="#">R6109</a>	06S15615Y13	RES,RK 33RJ 1/16 -CP
MAIN2-P.W.Board			<a href="#">R6110</a>	06S15615Y13	RES,RK 33RJ 1/16 -CP
MAIN2-P.W.Board			<a href="#">R6111</a>	06S15615Y13	RES,RK 33RJ 1/16 -CP
MAIN2-P.W.Board			<a href="#">R6112</a>	06S15615Y13	RES,RK 33RJ 1/16 -CP
MAIN2-P.W.Board			<a href="#">R6113</a>	06S15615Y13	RES,RK 33RJ 1/16 -CP
MAIN2-P.W.Board			<a href="#">R6114</a>	06S15615Y13	RES,RK 33RJ 1/16 -CP
MAIN2-P.W.Board			<a href="#">R6115</a>	06S15615Y13	RES,RK 33RJ 1/16 -CP
MAIN2-P.W.Board			<a href="#">R6116</a>	06S15615Y13	RES,RK 33RJ 1/16 -CP
MAIN2-P.W.Board			<a href="#">R6117</a>	06S15615Y13	RES,RK 33RJ 1/16 -CP
MAIN2-P.W.Board			<a href="#">R6136</a>	06S15615Y13	RES,RK 33RJ 1/16 -CP
MAIN2-P.W.Board			<a href="#">R6137</a>	06S15615Y13	RES,RK 33RJ 1/16 -CP
MAIN2-P.W.Board			<a href="#">R6138</a>	06S15615Y13	RES,RK 33RJ 1/16 -CP
MAIN2-P.W.Board			<a href="#">R6139</a>	06S15615Y25	RES,RK 101J 1/16 -CP
MAIN2-P.W.Board			<a href="#">R6200</a>	06S15615Y13	RES,RK 33RJ 1/16 -CP
MAIN2-P.W.Board			<a href="#">R6201</a>	06S15615Y13	RES,RK 33RJ 1/16 -CP
MAIN2-P.W.Board			<a href="#">R6202</a>	06S15615Y13	RES,RK 33RJ 1/16 -CP
MAIN2-P.W.Board			<a href="#">R6203</a>	06S15615Y13	RES,RK 33RJ 1/16 -CP
MAIN2-P.W.Board			<a href="#">R6204</a>	06S15615Y13	RES,RK 33RJ 1/16 -CP
MAIN2-P.W.Board			<a href="#">R6205</a>	06S15615Y13	RES,RK 33RJ 1/16 -CP
MAIN2-P.W.Board			<a href="#">R6206</a>	06S15615Y13	RES,RK 33RJ 1/16 -CP
MAIN2-P.W.Board			<a href="#">R6207</a>	06S15615Y13	RES,RK 33RJ 1/16 -CP

NOTE:The part that has not PART NUMBER will not be supplied.

P.W.Board	MIS	MODEL	Ref.	Parts No.	Parts Name
MAIN2-P.W.Board			<a href="#">R6208</a>	06S15615Y13	RES,RK 33RJ 1/16 -CP
MAIN2-P.W.Board			<a href="#">R6209</a>	06S15615Y13	RES,RK 33RJ 1/16 -CP
MAIN2-P.W.Board			<a href="#">R6210</a>	06S15615Y13	RES,RK 33RJ 1/16 -CP
MAIN2-P.W.Board			<a href="#">R6211</a>	06S15615Y13	RES,RK 33RJ 1/16 -CP
MAIN2-P.W.Board			<a href="#">R6212</a>	06S15615Y13	RES,RK 33RJ 1/16 -CP
MAIN2-P.W.Board			<a href="#">R6213</a>	06S15615Y13	RES,RK 33RJ 1/16 -CP
MAIN2-P.W.Board			<a href="#">R6214</a>	06S15615Y13	RES,RK 33RJ 1/16 -CP
MAIN2-P.W.Board			<a href="#">R6215</a>	06S15615Y13	RES,RK 33RJ 1/16 -CP
MAIN2-P.W.Board			<a href="#">R6216</a>	06S45674W33	RES,RK 101J 1/10 -CP
MAIN2-P.W.Board			<a href="#">R6217</a>	06S45674W33	RES,RK 101J 1/10 -CP
MAIN2-P.W.Board			<a href="#">R6233</a>	06S15615Y13	RES,RK 33RJ 1/16 -CP
MAIN2-P.W.Board			<a href="#">R6300</a>	06S15615Y25	RES,RK 101J 1/16 -CP
MAIN2-P.W.Board			<a href="#">R6301</a>	06S15615Y25	RES,RK 101J 1/16 -CP
MAIN2-P.W.Board			<a href="#">R6302</a>	06S15615Y25	RES,RK 101J 1/16 -CP
MAIN2-P.W.Board			<a href="#">R6304</a>	06S15615Y73	RES,RK 103J 1/16 -CP
MAIN2-P.W.Board			<a href="#">R6305</a>	06S15615Y73	RES,RK 103J 1/16 -CP
MAIN2-P.W.Board			<a href="#">R6306</a>	06S65415Y49	RES,RK 104F 1/16 -CP
MAIN2-P.W.Board			<a href="#">R6307</a>	06S15615Y25	RES,RK 101J 1/16 -CP
MAIN2-P.W.Board			<a href="#">R6308</a>	06S15615Y81	RES,RK 223J 1/16 -CP
MAIN2-P.W.Board			<a href="#">R6310</a>	06S55366Y39	RES,RK JUMPER1/10-CP
MAIN2-P.W.Board			<a href="#">R6400</a>	06S55362Y39	RES,RK JUMPER 1/4-CP
MAIN2-P.W.Board			<a href="#">R6401</a>	06S55362Y39	RES,RK JUMPER 1/4-CP
MAIN2-P.W.Board			<a href="#">R6402</a>	06S55362Y39	RES,RK JUMPER 1/4-CP
MAIN2-P.W.Board			<a href="#">R6403</a>	06S55362Y39	RES,RK JUMPER 1/4-CP
MAIN2-P.W.Board			<a href="#">R6404</a>	06S55362Y39	RES,RK JUMPER 1/4-CP
MAIN2-P.W.Board			<a href="#">R6405</a>	06S55362Y39	RES,RK JUMPER 1/4-CP
MAIN2-P.W.Board			<a href="#">R6406</a>	06S55362Y39	RES,RK JUMPER 1/4-CP
MAIN2-P.W.Board			<a href="#">R6407</a>	06S55362Y39	RES,RK JUMPER 1/4-CP
MAIN2-P.W.Board			<a href="#">R6408</a>	06S55361Y30	RES,RK 36RJ 1/4 -CP
MAIN2-P.W.Board			<a href="#">R6409</a>	06S55361Y30	RES,RK 36RJ 1/4 -CP
MAIN2-P.W.Board			<a href="#">R6410</a>	06S55361Y30	RES,RK 36RJ 1/4 -CP
MAIN2-P.W.Board			<a href="#">R6411</a>	06S55361Y31	RES,RK 39RJ 1/4 -CP
MAIN2-P.W.Board			<a href="#">R6412</a>	06S55361Y31	RES,RK 39RJ 1/4 -CP
MAIN2-P.W.Board			<a href="#">R6413</a>	06S55361Y31	RES,RK 39RJ 1/4 -CP
MAIN2-P.W.Board			<a href="#">R6506</a>	06S55365Y65	RES,RK 102J 1/10 -CP
MAIN2-P.W.Board			<a href="#">R6507</a>	06S55365Y65	RES,RK 102J 1/10 -CP
MAIN2-P.W.Board			<a href="#">R6600</a>	06S55365Y97	RES,RK 223J 1/10 -CP
MAIN2-P.W.Board			<a href="#">R6601</a>	06S55365Y97	RES,RK 223J 1/10 -CP
MAIN2-P.W.Board			<a href="#">R6602</a>	06S55366Y30	RES,RK 474J 1/10 -CP
MAIN2-P.W.Board			<a href="#">R6604</a>	06S55365Y77	RES,RK 332J 1/10 -CP
MAIN2-P.W.Board			<a href="#">R6605</a>	06S55365Y73	RES,RK 222J 1/10 -CP
MAIN2-P.W.Board			<a href="#">R6609</a>	06S15593Y89	RES,RK 473F 1/10 -CP
MAIN2-P.W.Board			<a href="#">R6610</a>	06S15593Y81	RES,RK 223F 1/10 -CP
MAIN2-P.W.Board			<a href="#">R6611</a>	06S15593Y81	RES,RK 223F 1/10 -CP
MAIN2-P.W.Board			<a href="#">R6612</a>	06S55361Y65	RES,RK 102J 1/4 -CP
MAIN2-P.W.Board			<a href="#">R6613</a>	06S55361Y65	RES,RK 102J 1/4 -CP
MAIN2-P.W.Board			<a href="#">R6614</a>	06S15593Y73	RES,RK 103F 1/10 -CP
MAIN2-P.W.Board			<a href="#">R6615</a>	06S15593Y89	RES,RK 473F 1/10 -CP
MAIN2-P.W.Board			<a href="#">R6616</a>	06S55361Y89	RES,RK 103J 1/4 -CP

NOTE:The part that has not PART NUMBER will not be supplied.

P.W.Board	MIS	MODEL	Ref.	Parts No.	Parts Name
MAIN2-P.W.Board			<a href="#">R6617</a>	06S55361Y89	RES,RK 103J 1/4 -CP
MAIN2-P.W.Board			<a href="#">R6618</a>	06S55366Y39	RES,RK JUMPER1/10-CP
MAIN2-P.W.Board			<a href="#">R6619</a>	06S15593Y89	RES,RK 473F 1/10 -CP
MAIN2-P.W.Board			<a href="#">R6700</a>	06S55366Y14	RES,RK 104J 1/10 -CP
MAIN2-P.W.Board			<a href="#">R6702</a>	06S15593Y89	RES,RK 473F 1/10 -CP
MAIN2-P.W.Board			<a href="#">R6703</a>	06S55361Y65	RES,RK 102J 1/4 -CP
MAIN2-P.W.Board			<a href="#">R6704</a>	06S55361Y33	RES,RK 47RJ 1/4 -CP
MAIN2-P.W.Board			<a href="#">R6705</a>	06S55361Y89	RES,RK 103J 1/4 -CP
MAIN2-P.W.Board			<a href="#">R6706</a>	06S55361Y33	RES,RK 47RJ 1/4 -CP
MAIN2-P.W.Board			<a href="#">R6707</a>	06S70072F61	RES,CP .222-J-1/4-CP
MAIN2-P.W.Board			<a href="#">R6708</a>	06S55361Y65	RES,RK 102J 1/4 -CP
MAIN2-P.W.Board			<a href="#">R6709</a>	06S55361Y65	RES,RK 102J 1/4 -CP
MAIN2-P.W.Board			<a href="#">R6711</a>	06S15593Y89	RES,RK 473F 1/10 -CP
MAIN2-P.W.Board			<a href="#">R6712</a>	06S55361Y65	RES,RK 102J 1/4 -CP
MAIN2-P.W.Board			<a href="#">R6713</a>	06S55361Y65	RES,RK 102J 1/4 -CP
MAIN2-P.W.Board			<a href="#">XL6001</a>	91-14119Z01	XTL,XQ 12.000M -E5
MAIN2-P.W.Board			<a href="#">XL6300</a>	91T95554W03	XTL,CM200S 32.76K-E5
MAIN2-P.W.Board			<a href="#">Z6050</a>	91T65123Y02	EMI,DLW21SN900SQ2-CP
MAIN2-P.W.Board			<a href="#">ZD6050</a>	48-11191Z20	DIO,ZEN MAZ8051GM-CP
MAIN2-P.W.Board			<a href="#">ZD6051</a>	48-11191Z20	DIO,ZEN MAZ8051GM-CP
MAIN2-P.W.Board			<a href="#">ZD6600</a>	48-01607Z19	DIO,ZEN LUDZ5.6B -CP
MAIN2-P.W.Board			<a href="#">ZD6601</a>	48-01607Z19	DIO,ZEN LUDZ5.6B -CP
MAIN2-P.W.Board			<a href="#">ZD6700</a>	48-11191Z23	DIO,ZEN MAZ8056GM-CP
MAIN2-P.W.Board			<a href="#">ZD6701</a>	48-11191Z23	DIO,ZEN MAZ8056GM-CP
MAIN2-P.W.Board			<a href="#">ZD6702</a>	48-11191Z23	DIO,ZEN MAZ8056GM-CP
FRONT-P.W.Board			<a href="#">C8000</a>	08S45676W73	CAP,CER.103K-B1H -CP
FRONT-P.W.Board			<a href="#">C8001</a>	08S45677W16	CAP,CER.15RJ-CH1H-CP
FRONT-P.W.Board			<a href="#">C8002</a>	08S45231Y11	CAP,CER 8R0D-CH1H-CP
FRONT-P.W.Board			<a href="#">C8003</a>	08S45231Y11	CAP,CER 8R0D-CH1H-CP
FRONT-P.W.Board			<a href="#">C8004</a>	08S45231Y19	CAP,CER 33RJ-CH1H-CP
FRONT-P.W.Board			<a href="#">C8005</a>	08S45232Y11	CAP,CER 103K-B1C -CP
FRONT-P.W.Board			<a href="#">C8006</a>	08S45231Y23	CAP,CER 68RJ-CH1H-CP
FRONT-P.W.Board			<a href="#">C8007</a>	08S65670Y06	CAP,CER 226KX5R1A-CP
FRONT-P.W.Board			<a href="#">C8008</a>	08S65668Y04	CAP,CER 104KX5R1A-CP
FRONT-P.W.Board			<a href="#">C8009</a>	08S65668Y04	CAP,CER 104KX5R1A-CP
FRONT-P.W.Board			<a href="#">C8010</a>	08S65668Y04	CAP,CER 104KX5R1A-CP
FRONT-P.W.Board			<a href="#">C8012</a>	08S65668Y04	CAP,CER 104KX5R1A-CP
FRONT-P.W.Board			<a href="#">C8013</a>	08T65555Y01	CAP,CER 226K-BJ0J-CP
FRONT-P.W.Board			<a href="#">C8014</a>	08S65668Y04	CAP,CER 104KX5R1A-CP
FRONT-P.W.Board			<a href="#">C8015</a>	08S65670Y01	CAP,CER 106KX5R1C-CP
FRONT-P.W.Board			<a href="#">C8016</a>	08S65668Y04	CAP,CER 104KX5R1A-CP
FRONT-P.W.Board			<a href="#">C8017</a>	08S65670Y01	CAP,CER 106KX5R1C-CP
FRONT-P.W.Board			<a href="#">C8018</a>	08S65668Y04	CAP,CER 104KX5R1A-CP
FRONT-P.W.Board			<a href="#">C8019</a>	08S65668Y04	CAP,CER 104KX5R1A-CP
FRONT-P.W.Board			<a href="#">C8020</a>	08S65668Y04	CAP,CER 104KX5R1A-CP
FRONT-P.W.Board			<a href="#">C8021</a>	08S65668Y04	CAP,CER 104KX5R1A-CP
FRONT-P.W.Board			<a href="#">C8022</a>	08S65668Y04	CAP,CER 104KX5R1A-CP
FRONT-P.W.Board			<a href="#">C8023</a>	08S65668Y04	CAP,CER 104KX5R1A-CP
FRONT-P.W.Board			<a href="#">C8024</a>	08S65668Y04	CAP,CER 104KX5R1A-CP

NOTE:The part that has not PART NUMBER will not be supplied.

P.W.Board	MIS	MODEL	Ref.	Parts No.	Parts Name
FRONT-P.W.Board			<a href="#">C8025</a>	08S65668Y04	CAP,CER 104KX5R1A-CP
FRONT-P.W.Board			<a href="#">C8026</a>	08S65668Y04	CAP,CER 104KX5R1A-CP
FRONT-P.W.Board			<a href="#">C8027</a>	08S65668Y04	CAP,CER 104KX5R1A-CP
FRONT-P.W.Board			<a href="#">C8028</a>	08S65668Y04	CAP,CER 104KX5R1A-CP
FRONT-P.W.Board			<a href="#">C8029</a>	08S65668Y04	CAP,CER 104KX5R1A-CP
FRONT-P.W.Board			<a href="#">C8030</a>	08S65668Y04	CAP,CER 104KX5R1A-CP
FRONT-P.W.Board			<a href="#">C8031</a>	08S65668Y04	CAP,CER 104KX5R1A-CP
FRONT-P.W.Board			<a href="#">C8032</a>	08S65668Y04	CAP,CER 104KX5R1A-CP
FRONT-P.W.Board			<a href="#">C8033</a>	08S65668Y04	CAP,CER 104KX5R1A-CP
FRONT-P.W.Board			<a href="#">C8034</a>	08S65668Y04	CAP,CER 104KX5R1A-CP
FRONT-P.W.Board			<a href="#">C8035</a>	08S65668Y04	CAP,CER 104KX5R1A-CP
FRONT-P.W.Board			<a href="#">C8036</a>	08S65668Y04	CAP,CER 104KX5R1A-CP
FRONT-P.W.Board			<a href="#">C8037</a>	08S65668Y04	CAP,CER 104KX5R1A-CP
FRONT-P.W.Board			<a href="#">C8038</a>	08S65668Y04	CAP,CER 104KX5R1A-CP
FRONT-P.W.Board			<a href="#">C8039</a>	08S65668Y04	CAP,CER 104KX5R1A-CP
FRONT-P.W.Board			<a href="#">C8040</a>	08S65668Y04	CAP,CER 104KX5R1A-CP
FRONT-P.W.Board			<a href="#">C8041</a>	08S45676W80	CAP,CER 223K-B1E -CP
FRONT-P.W.Board			<a href="#">C8042</a>	08T65555Y01	CAP,CER 226K-BJ0J-CP
FRONT-P.W.Board			<a href="#">C8043</a>	08S65668Y04	CAP,CER 104KX5R1A-CP
FRONT-P.W.Board			<a href="#">C8044</a>	08S65668Y04	CAP,CER 104KX5R1A-CP
FRONT-P.W.Board			<a href="#">C8046</a>	08S45677W36	CAP,CER.101J-CH1H-CP
FRONT-P.W.Board			<a href="#">C8047</a>	08S45677W36	CAP,CER.101J-CH1H-CP
FRONT-P.W.Board			<a href="#">C8200</a>	08S65668Y04	CAP,CER 104KX5R1A-CP
FRONT-P.W.Board			<a href="#">C8201</a>	08S65668Y04	CAP,CER 104KX5R1A-CP
FRONT-P.W.Board			<a href="#">C8202</a>	08T65555Y01	CAP,CER 226K-BJ0J-CP
FRONT-P.W.Board			<a href="#">C8203</a>	08S65668Y04	CAP,CER 104KX5R1A-CP
FRONT-P.W.Board			<a href="#">C8204</a>	08S65668Y04	CAP,CER 104KX5R1A-CP
FRONT-P.W.Board			<a href="#">C8250</a>	08S65668Y04	CAP,CER 104KX5R1A-CP
FRONT-P.W.Board			<a href="#">C8251</a>	08T65555Y01	CAP,CER 226K-BJ0J-CP
FRONT-P.W.Board			<a href="#">C8252</a>	08S65668Y04	CAP,CER 104KX5R1A-CP
FRONT-P.W.Board			<a href="#">C8253</a>	08S65668Y04	CAP,CER 104KX5R1A-CP
FRONT-P.W.Board			<a href="#">C8254</a>	08S65668Y04	CAP,CER 104KX5R1A-CP
FRONT-P.W.Board			<a href="#">C8255</a>	08S65668Y04	CAP,CER 104KX5R1A-CP
FRONT-P.W.Board			<a href="#">C8256</a>	08S65668Y04	CAP,CER 104KX5R1A-CP
FRONT-P.W.Board			<a href="#">C8257</a>	08S65668Y04	CAP,CER 104KX5R1A-CP
FRONT-P.W.Board			<a href="#">C8300</a>	08S45676W85	CAP,CER 104K-B1C -CP
FRONT-P.W.Board			<a href="#">C8302</a>	08S45676W85	CAP,CER 104K-B1C -CP
FRONT-P.W.Board			<a href="#">C8303</a>	08S45676W95	CAP,CER 823K-B1C -CP
FRONT-P.W.Board			<a href="#">C8304</a>	08S45676W72	CAP,CER 822K-B1H -CP
FRONT-P.W.Board			<a href="#">C8305</a>	08S45676W85	CAP,CER 104K-B1C -CP
FRONT-P.W.Board			<a href="#">C8306</a>	08S45676W85	CAP,CER 104K-B1C -CP
FRONT-P.W.Board			<a href="#">C8307</a>	08S45676W83	CAP,CER 473K-B1C -CP
FRONT-P.W.Board			<a href="#">C8308</a>	08S45676W83	CAP,CER 473K-B1C -CP
FRONT-P.W.Board			<a href="#">C8309</a>	08S45676W83	CAP,CER 473K-B1C -CP
FRONT-P.W.Board			<a href="#">C8311</a>	08S45676W85	CAP,CER 104K-B1C -CP
FRONT-P.W.Board			<a href="#">C8313</a>	08T65555Y01	CAP,CER 226K-BJ0J-CP
FRONT-P.W.Board			<a href="#">C8314</a>	08T65555Y01	CAP,CER 226K-BJ0J-CP
FRONT-P.W.Board			<a href="#">C8315</a>	08T65555Y01	CAP,CER 226K-BJ0J-CP
FRONT-P.W.Board			<a href="#">C8316</a>	08S45676W85	CAP,CER 104K-B1C -CP

NOTE:The part that has not PART NUMBER will not be supplied.

P.W.Board	MIS	MODEL	Ref.	Parts No.	Parts Name
FRONT-P.W.Board			<a href="#">C8318</a>	08S45676W85	CAP,CER 104K-B1C -CP
FRONT-P.W.Board			<a href="#">C8319</a>	08S45676W85	CAP,CER 104K-B1C -CP
FRONT-P.W.Board			<a href="#">C8321</a>	08S45676W85	CAP,CER 104K-B1C -CP
FRONT-P.W.Board			<a href="#">C8323</a>	08S45676W85	CAP,CER 104K-B1C -CP
FRONT-P.W.Board			<a href="#">C8324</a>	08S45676W85	CAP,CER 104K-B1C -CP
FRONT-P.W.Board			<a href="#">C8326</a>	08S45676W85	CAP,CER 104K-B1C -CP
FRONT-P.W.Board			<a href="#">C8328</a>	08S45676W85	CAP,CER 104K-B1C -CP
FRONT-P.W.Board			<a href="#">C8329</a>	08S45676W85	CAP,CER 104K-B1C -CP
FRONT-P.W.Board			<a href="#">C8330</a>	08S45677W32	CAP,CER.68RJ-CH1H-CP
FRONT-P.W.Board			<a href="#">C8334</a>	08S45677W36	CAP,CER.101J-CH1H-CP
FRONT-P.W.Board			<a href="#">C8335</a>	08S45677W36	CAP,CER.101J-CH1H-CP
FRONT-P.W.Board			<a href="#">C8336</a>	08S45677W36	CAP,CER.101J-CH1H-CP
FRONT-P.W.Board			<a href="#">C8400</a>	08S45676W80	CAP,CER 223K-B1E -CP
FRONT-P.W.Board			<a href="#">C8401</a>	08S65670Y01	CAP,CER 106KX5R1C-CP
FRONT-P.W.Board			<a href="#">C8402</a>	08S45677W52	CAP,CER 471J-CH1H-CP
FRONT-P.W.Board			<a href="#">C8403</a>	08S65670Y01	CAP,CER 106KX5R1C-CP
FRONT-P.W.Board			<a href="#">C8404</a>	08S45676W85	CAP,CER 104K-B1C -CP
FRONT-P.W.Board			<a href="#">C8405</a>	08S65670Y03	CAP,CER 335KX5R1E-CP
FRONT-P.W.Board			<a href="#">C8406</a>	08S45676W85	CAP,CER 104K-B1C -CP
FRONT-P.W.Board			<a href="#">C8407</a>	08S45676W73	CAP,CER.103K-B1H -CP
FRONT-P.W.Board			<a href="#">C8408</a>	08S45676W69	CAP,CER.472K-B1H -CP
FRONT-P.W.Board			<a href="#">C8502</a>	08S45676W85	CAP,CER 104K-B1C -CP
FRONT-P.W.Board			<a href="#">C8520</a>	08S35374W12	CAP,CER 106K-B0J -CP
FRONT-P.W.Board			<a href="#">C8530</a>	08S45676W84	CAP,CER 683K-B1C -CP
FRONT-P.W.Board			<a href="#">C8531</a>	08S35349Y12	CAP,CER 105K-B0J -CP
FRONT-P.W.Board			<a href="#">C8600</a>	08S45677W60	CAP,CER 102J-CH1H-CP
FRONT-P.W.Board			<a href="#">C8601</a>	08S45677W60	CAP,CER 102J-CH1H-CP
FRONT-P.W.Board			<a href="#">C8602</a>	08S45677W60	CAP,CER 102J-CH1H-CP
FRONT-P.W.Board			<a href="#">C8603</a>	08S45677W60	CAP,CER 102J-CH1H-CP
FRONT-P.W.Board			<a href="#">C8604</a>	08S45677W60	CAP,CER 102J-CH1H-CP
FRONT-P.W.Board			<a href="#">C8700</a>	08S45676W80	CAP,CER 223K-B1E -CP
FRONT-P.W.Board			<a href="#">C8701</a>	08S45676W80	CAP,CER 223K-B1E -CP
FRONT-P.W.Board			<a href="#">C8702</a>	08S45676W80	CAP,CER 223K-B1E -CP
FRONT-P.W.Board			<a href="#">C8703</a>	08S45676W80	CAP,CER 223K-B1E -CP
FRONT-P.W.Board			<a href="#">C8720</a>	08S45676W80	CAP,CER 223K-B1E -CP
FRONT-P.W.Board			<a href="#">C8721</a>	08S45676W80	CAP,CER 223K-B1E -CP
FRONT-P.W.Board			<a href="#">C8800</a>	08S65676Y02	CAP,CER 475KX7R1A-CP
FRONT-P.W.Board			<a href="#">C8801</a>	08S45677W36	CAP,CER.101J-CH1H-CP
FRONT-P.W.Board			<a href="#">C8802</a>	08S45677W36	CAP,CER.101J-CH1H-CP
FRONT-P.W.Board			<a href="#">C8803</a>	08S45677W36	CAP,CER.101J-CH1H-CP
FRONT-P.W.Board			<a href="#">CB8000</a>	09T85454W07	WTB,53398-0790 -E9
FRONT-P.W.Board			<a href="#">CB8401</a>	09-05986Z02	WTB,SM02B-PASS-TBTE9
FRONT-P.W.Board			<a href="#">CB8500</a>	09-05209Z01	FFC,IMSA9617S-04Y-E9
FRONT-P.W.Board			<a href="#">CB8800</a>	09-12780Z02	FFC,IMSA9637S-40Y-EQ
FRONT-P.W.Board			<a href="#">CH8900</a>	09-00711Z02	BTB,IMSA9828S-60Y-EK
FRONT-P.W.Board			<a href="#">D8520</a>	48-06707Z01	DIO,MA3J147-TX -CP
FRONT-P.W.Board			<a href="#">E8700</a>	23S65134W11	CAP,ELY 22R-0J(4)-E2
FRONT-P.W.Board			<a href="#">E8701</a>	23S65134W34	CAP,ELY 47R-1C(6)-E6
FRONT-P.W.Board			<a href="#">E8720</a>	23S65134W11	CAP,ELY 22R-0J(4)-E2

NOTE:The part that has not PART NUMBER will not be supplied.

P.W.Board	MIS	MODEL	Ref.	Parts No.	Parts Name
FRONT-P.W.Board		<a href="#">IC8000</a>	51-15559Z01	IC,MN103SE60PA -QT	
FRONT-P.W.Board		<a href="#">IC8200</a>	83-15943Z59	V899K_GERDA	
FRONT-P.W.Board		<a href="#">IC8250</a>	51-12757Z01	HY57V561620FTP-HI-ST	
FRONT-P.W.Board		<a href="#">IC8300</a>	51-14887Z01	AD9985ABSTZ-110 -QT	
FRONT-P.W.Board		<a href="#">IC8400</a>	51T15185Y02	TC7SH08FU,JF-L -CP	
FRONT-P.W.Board		<a href="#">IC8401</a>	51-15547Z01	PT6908-S-TP(L) -SE5	
FRONT-P.W.Board		<a href="#">IC8520</a>	51-11731Z01	RPMS2381-H19-E4A-NE5	
FRONT-P.W.Board		<a href="#">IC8530</a>	51T55185Y02	TPS850 -CP	
FRONT-P.W.Board		<a href="#">IC8700</a>	51T25259Y03	BA00ASFP-E2 -NE5	
FRONT-P.W.Board		<a href="#">IC8701</a>	51T25259Y03	BA00ASFP-E2 -NE5	
FRONT-P.W.Board		<a href="#">IC8720</a>	51T25259Y03	BA00ASFP-E2 -NE5	
FRONT-P.W.Board		<a href="#">L8000</a>	24T95456W07	FBI,BLM18BD102SH1-CP	
FRONT-P.W.Board		<a href="#">L8300</a>	24-06212Z02	FBI,BLM15AG102SH1-CP	
FRONT-P.W.Board		<a href="#">L8301</a>	24-06212Z02	FBI,BLM15AG102SH1-CP	
FRONT-P.W.Board		<a href="#">L8302</a>	24-06212Z02	FBI,BLM15AG102SH1-CP	
FRONT-P.W.Board		<a href="#">L8400</a>	24-05547Z08	IND,SLF10145-H471MEA	
FRONT-P.W.Board		<a href="#">LD8600</a>	48-11867Z01	LED,WHT SMLE12WBC7CP	
FRONT-P.W.Board		<a href="#">LD8601</a>	48-11867Z01	LED,WHT SMLE12WBC7CP	
FRONT-P.W.Board		<a href="#">LD8602</a>	48-11867Z01	LED,WHT SMLE12WBC7CP	
FRONT-P.W.Board		<a href="#">LD8603</a>	48-11946Z01	LED,WHT SMLZ13WBD-CP	
FRONT-P.W.Board		<a href="#">LD8604</a>	48-15702Z01	LED,BLU SCM015BC7TCP	
FRONT-P.W.Board		<a href="#">LD8605</a>	48-15702Z01	LED,BLU SCM015BC7TCP	
FRONT-P.W.Board		<a href="#">LD8606</a>	48-15702Z01	LED,BLU SCM015BC7TCP	
FRONT-P.W.Board		<a href="#">LD8607</a>	48-15702Z01	LED,BLU SCM015BC7TCP	
FRONT-P.W.Board		<a href="#">LD8608</a>	48-15702Z01	LED,BLU SCM015BC7TCP	
FRONT-P.W.Board		<a href="#">LD8609</a>	48-15702Z01	LED,BLU SCM015BC7TCP	
FRONT-P.W.Board		<a href="#">LD8610</a>	48-15702Z01	LED,BLU SCM015BC7TCP	
FRONT-P.W.Board		<a href="#">LD8611</a>	48-15702Z01	LED,BLU SCM015BC7TCP	
FRONT-P.W.Board		<a href="#">LD8612</a>	48-15702Z01	LED,BLU SCM015BC7TCP	
FRONT-P.W.Board		<a href="#">LD8613</a>	48-15702Z01	LED,BLU SCM015BC7TCP	
FRONT-P.W.Board		<a href="#">LD8614</a>	48-15702Z01	LED,BLU SCM015BC7TCP	
FRONT-P.W.Board		<a href="#">LD8615</a>	48-15702Z01	LED,BLU SCM015BC7TCP	
FRONT-P.W.Board		<a href="#">LD8616</a>	48-15702Z01	LED,BLU SCM015BC7TCP	
FRONT-P.W.Board		<a href="#">LD8617</a>	48-15702Z01	LED,BLU SCM015BC7TCP	
FRONT-P.W.Board		<a href="#">LD8618</a>	48-15702Z01	LED,BLU SCM015BC7TCP	
FRONT-P.W.Board		<a href="#">LD8619</a>	48-15238Z01	LED,RED SML-D13L8WCP	
FRONT-P.W.Board		<a href="#">LD8620</a>	48-11867Z01	LED,WHT SMLE12WBC7CP	
FRONT-P.W.Board		<a href="#">LD8621</a>	48-15702Z01	LED,BLU SCM015BC7TCP	
FRONT-P.W.Board		<a href="#">Q8002</a>	48T52438F01	TR,2SD0601ARB-RSTXCP	
FRONT-P.W.Board		<a href="#">Q8401</a>	48-09309Z01	FET,RSQ045N03-TR -CP	
FRONT-P.W.Board		<a href="#">Q8402</a>	48-09309Z01	FET,RSQ045N03-TR -CP	
FRONT-P.W.Board		<a href="#">Q8500</a>	48-15523Z02	TR,BC817-40-RTK -CP	
FRONT-P.W.Board		<a href="#">Q8501</a>	48-15523Z02	TR,BC817-40-RTK -CP	
FRONT-P.W.Board		<a href="#">Q8502</a>	48-07987Z02	TR,UNR5112J-TX -CP	
FRONT-P.W.Board		<a href="#">Q8503</a>	48-09581Z03	TR,KTA1505S-Y-RTK-CP	
FRONT-P.W.Board		<a href="#">Q8504</a>	48-09581Z03	TR,KTA1505S-Y-RTK-CP	
FRONT-P.W.Board		<a href="#">Q8600</a>	48T63788F01	TR2SD13280RB-RSTTXCP	
FRONT-P.W.Board		<a href="#">Q8601</a>	48T63788F01	TR2SD13280RB-RSTTXCP	
FRONT-P.W.Board		<a href="#">Q8602</a>	48T63788F01	TR2SD13280RB-RSTTXCP	

NOTE:The part that has not PART NUMBER will not be supplied.

P.W.Board	MIS	MODEL	Ref.	Parts No.	Parts Name
FRONT-P.W.Board		<a href="#">Q8603</a>	48T63788F01	TR2SD13280RB-RSTTXCP	
FRONT-P.W.Board		<a href="#">Q8604</a>	48T63788F01	TR2SD13280RB-RSTTXCP	
FRONT-P.W.Board		<a href="#">Q8605</a>	48-02302Z01	TR,XP0331100L -CP	
FRONT-P.W.Board		<a href="#">R8012</a>	06S15615Y13	RES,RK 33RJ 1/16 -CP	
FRONT-P.W.Board		<a href="#">R8013</a>	06S15615Y13	RES,RK 33RJ 1/16 -CP	
FRONT-P.W.Board		<a href="#">R8014</a>	06S15615Y13	RES,RK 33RJ 1/16 -CP	
FRONT-P.W.Board		<a href="#">R8015</a>	06S15593Y33	RES,RK 221F 1/10 -CP	
FRONT-P.W.Board		<a href="#">R8016</a>	06S15593Y31	RES,RK 181F 1/10 -CP	
FRONT-P.W.Board		<a href="#">R8018</a>	06S15593Y46	RES,RK 751F 1/10 -CP	
FRONT-P.W.Board		<a href="#">R8019</a>	06S15593Y49	RES,RK 102F 1/10 -CP	
FRONT-P.W.Board		<a href="#">R8020</a>	06S15615Y41	RES,RK 471J 1/16 -CP	
FRONT-P.W.Board		<a href="#">R8026</a>	06S15615Y13	RES,RK 33RJ 1/16 -CP	
FRONT-P.W.Board		<a href="#">R8027</a>	06S15615Y13	RES,RK 33RJ 1/16 -CP	
FRONT-P.W.Board		<a href="#">R8028</a>	06S15615Y21	RES,RK 68RJ 1/16 -CP	
FRONT-P.W.Board		<a href="#">R8029</a>	06S15615Y13	RES,RK 33RJ 1/16 -CP	
FRONT-P.W.Board		<a href="#">R8050</a>	06S15616Y23	RES,RK JUMPER1/16-CP	
FRONT-P.W.Board		<a href="#">R8051</a>	06S15615Y13	RES,RK 33RJ 1/16 -CP	
FRONT-P.W.Board		<a href="#">R8056</a>	06S15615Y13	RES,RK 33RJ 1/16 -CP	
FRONT-P.W.Board		<a href="#">R8057</a>	06S15615Y25	RES,RK 101J 1/16 -CP	
FRONT-P.W.Board		<a href="#">R8058</a>	06S15615Y13	RES,RK 33RJ 1/16 -CP	
FRONT-P.W.Board		<a href="#">R8059</a>	06S15615Y13	RES,RK 33RJ 1/16 -CP	
FRONT-P.W.Board		<a href="#">R8060</a>	06S15615Y13	RES,RK 33RJ 1/16 -CP	
FRONT-P.W.Board		<a href="#">R8063</a>	06S15615Y73	RES,RK 103J 1/16 -CP	
FRONT-P.W.Board		<a href="#">R8064</a>	06S15615Y73	RES,RK 103J 1/16 -CP	
FRONT-P.W.Board		<a href="#">R8065</a>	06S15615Y73	RES,RK 103J 1/16 -CP	
FRONT-P.W.Board		<a href="#">R8067</a>	06S15615Y13	RES,RK 33RJ 1/16 -CP	
FRONT-P.W.Board		<a href="#">R8068</a>	06S15615Y13	RES,RK 33RJ 1/16 -CP	
FRONT-P.W.Board		<a href="#">R8069</a>	06S15615Y73	RES,RK 103J 1/16 -CP	
FRONT-P.W.Board		<a href="#">R8070</a>	06S15615Y13	RES,RK 33RJ 1/16 -CP	
FRONT-P.W.Board		<a href="#">R8071</a>	06S15615Y73	RES,RK 103J 1/16 -CP	
FRONT-P.W.Board		<a href="#">R8072</a>	06S15615Y73	RES,RK 103J 1/16 -CP	
FRONT-P.W.Board		<a href="#">R8073</a>	06S55365Y57	RES,RK 471J 1/10 -CP	
FRONT-P.W.Board		<a href="#">R8074</a>	06S15615Y73	RES,RK 103J 1/16 -CP	
FRONT-P.W.Board		<a href="#">R8076</a>	06S15593Y41	RES,RK 471F 1/10 -CP	
FRONT-P.W.Board		<a href="#">R8077</a>	06S15593Y41	RES,RK 471F 1/10 -CP	
FRONT-P.W.Board		<a href="#">R8078</a>	06S15593Y67	RES,RK 562F 1/10 -CP	
FRONT-P.W.Board		<a href="#">R8079</a>	06S15593Y75	RES,RK 123F 1/10 -CP	
FRONT-P.W.Board		<a href="#">R8080</a>	06S15593Y77	RES,RK 153F 1/10 -CP	
FRONT-P.W.Board		<a href="#">R8082</a>	06S15593Y75	RES,RK 123F 1/10 -CP	
FRONT-P.W.Board		<a href="#">R8084</a>	06S15615Y25	RES,RK 101J 1/16 -CP	
FRONT-P.W.Board		<a href="#">R8085</a>	06S15615Y25	RES,RK 101J 1/16 -CP	
FRONT-P.W.Board		<a href="#">R8087</a>	06S15615Y73	RES,RK 103J 1/16 -CP	
FRONT-P.W.Board		<a href="#">R8089</a>	06S15615Y13	RES,RK 33RJ 1/16 -CP	
FRONT-P.W.Board		<a href="#">R8090</a>	06S15615Y49	RES,RK 102J 1/16 -CP	
FRONT-P.W.Board		<a href="#">R8093</a>	06S15615Y13	RES,RK 33RJ 1/16 -CP	
FRONT-P.W.Board		<a href="#">R8096</a>	06S15616Y23	RES,RK JUMPER1/16-CP	
FRONT-P.W.Board		<a href="#">R8097</a>	06S15616Y23	RES,RK JUMPER1/16-CP	
FRONT-P.W.Board		<a href="#">R8122</a>	06S15616Y23	RES,RK JUMPER1/16-CP	
FRONT-P.W.Board		<a href="#">R8130</a>	06S15615Y89	RES,RK 473J 1/16 -CP	

NOTE:The part that has not PART NUMBER will not be supplied.

P.W.Board	MIS	MODEL	Ref.	Parts No.	Parts Name
FRONT-P.W.Board			<a href="#">R8131</a>	06S15615Y89	RES,RK 473J 1/16 -CP
FRONT-P.W.Board			<a href="#">R8233</a>	06S15615Y13	RES,RK 33RJ 1/16 -CP
FRONT-P.W.Board			<a href="#">R8300</a>	06S15615Y49	RES,RK 102J 1/16 -CP
FRONT-P.W.Board			<a href="#">R8301</a>	06S15615Y49	RES,RK 102J 1/16 -CP
FRONT-P.W.Board			<a href="#">R8302</a>	06S15615Y59	RES,RK 272J 1/16 -CP
FRONT-P.W.Board			<a href="#">R8303</a>	06S15615Y25	RES,RK 101J 1/16 -CP
FRONT-P.W.Board			<a href="#">R8304</a>	06S15615Y25	RES,RK 101J 1/16 -CP
FRONT-P.W.Board			<a href="#">R8305</a>	06S15615Y25	RES,RK 101J 1/16 -CP
FRONT-P.W.Board			<a href="#">R8306</a>	06S15615Y29	RES,RK 151J 1/16 -CP
FRONT-P.W.Board			<a href="#">R8307</a>	06S15615Y29	RES,RK 151J 1/16 -CP
FRONT-P.W.Board			<a href="#">R8308</a>	06S15615Y73	RES,RK 103J 1/16 -CP
FRONT-P.W.Board			<a href="#">R8309</a>	06S15615Y73	RES,RK 103J 1/16 -CP
FRONT-P.W.Board			<a href="#">R8310</a>	06S15615Y73	RES,RK 103J 1/16 -CP
FRONT-P.W.Board			<a href="#">R8311</a>	06S15615Y41	RES,RK 471J 1/16 -CP
FRONT-P.W.Board			<a href="#">R8401</a>	06S55365Y90	RES,RK 113J 1/10 -CP
FRONT-P.W.Board			<a href="#">R8402</a>	06S55365Y90	RES,RK 113J 1/10 -CP
FRONT-P.W.Board			<a href="#">R8403</a>	06S55365Y41	RES,RK 101J 1/10 -CP
FRONT-P.W.Board			<a href="#">R8404</a>	06S55361Y01	RES,RK 2R2J 1/4 -CP
FRONT-P.W.Board			<a href="#">R8405</a>	06S55361Y67	RES,RK 122J 1/4 -CP
FRONT-P.W.Board			<a href="#">R8406</a>	06S15593Y83	RES,RK 273F 1/10 -CP
FRONT-P.W.Board			<a href="#">R8407</a>	06S15594Y06	RES,RK 224F 1/10 -CP
FRONT-P.W.Board			<a href="#">R8408</a>	06S55365Y41	RES,RK 101J 1/10 -CP
FRONT-P.W.Board			<a href="#">R8409</a>	06S15593Y75	RES,RK 123F 1/10 -CP
FRONT-P.W.Board			<a href="#">R8410</a>	06S15593Y81	RES,RK 223F 1/10 -CP
FRONT-P.W.Board			<a href="#">R8411</a>	06S15593Y75	RES,RK 123F 1/10 -CP
FRONT-P.W.Board			<a href="#">R8412</a>	06S15593Y83	RES,RK 273F 1/10 -CP
FRONT-P.W.Board			<a href="#">R8413</a>	06S15593Y03	RES,RK 12RF 1/10 -CP
FRONT-P.W.Board			<a href="#">R8414</a>	06S15593Y63	RES,RK 392F 1/10 -CP
FRONT-P.W.Board			<a href="#">R8415</a>	06S15593Y95	RES,RK 823F 1/10 -CP
FRONT-P.W.Board			<a href="#">R8416</a>	06S15593Y79	RES,RK 183F 1/10 -CP
FRONT-P.W.Board			<a href="#">R8417</a>	06S55361Y01	RES,RK 2R2J 1/4 -CP
FRONT-P.W.Board			<a href="#">R8418</a>	06S55365Y97	RES,RK 223J 1/10 -CP
FRONT-P.W.Board			<a href="#">R8419</a>	06S55365Y97	RES,RK 223J 1/10 -CP
FRONT-P.W.Board			<a href="#">R8420</a>	06S15593Y03	RES,RK 12RF 1/10 -CP
FRONT-P.W.Board			<a href="#">R8450</a>	06S15593Y55	RES,RK 182F 1/10 -CP
FRONT-P.W.Board			<a href="#">R8500</a>	06S15593Y09	RES,RK 22RF 1/10 -CP
FRONT-P.W.Board			<a href="#">R8501</a>	06S15593Y97	RES,RK 104F 1/10 -CP
FRONT-P.W.Board			<a href="#">R8502</a>	06S45674W81	RES,RK 103J 1/10 -CP
FRONT-P.W.Board			<a href="#">R8503</a>	06S15593Y97	RES,RK 104F 1/10 -CP
FRONT-P.W.Board			<a href="#">R8504</a>	06S15593Y01	RES,RK 10RF 1/10 -CP
FRONT-P.W.Board			<a href="#">R8505</a>	06S15593Y65	RES,RK 472F 1/10 -CP
FRONT-P.W.Board			<a href="#">R8506</a>	06S45674W81	RES,RK 103J 1/10 -CP
FRONT-P.W.Board			<a href="#">R8507</a>	06S15593Y57	RES,RK 222F 1/10 -CP
FRONT-P.W.Board			<a href="#">R8508</a>	06S15593Y57	RES,RK 222F 1/10 -CP
FRONT-P.W.Board			<a href="#">R8509</a>	06S15593Y57	RES,RK 222F 1/10 -CP
FRONT-P.W.Board			<a href="#">R8510</a>	06S15593Y65	RES,RK 472F 1/10 -CP
FRONT-P.W.Board			<a href="#">R8511</a>	06S45674W81	RES,RK 103J 1/10 -CP
FRONT-P.W.Board			<a href="#">R8512</a>	06S45674W81	RES,RK 103J 1/10 -CP
FRONT-P.W.Board			<a href="#">R8513</a>	06S15593Y57	RES,RK 222F 1/10 -CP




NOTE:The part that has not PART NUMBER will not be supplied.

P.W.Board	MIS	MODEL	Ref.	Parts No.	Parts Name
FRONT-P.W.Board			<a href="#">R8514</a>	06S15593Y25	RES,RK 101F 1/10 -CP
FRONT-P.W.Board			<a href="#">R8515</a>	06S15593Y25	RES,RK 101F 1/10 -CP
FRONT-P.W.Board			<a href="#">R8516</a>	06S15593Y25	RES,RK 101F 1/10 -CP
FRONT-P.W.Board			<a href="#">R8517</a>	06S15593Y25	RES,RK 101F 1/10 -CP
FRONT-P.W.Board			<a href="#">R8518</a>	06S15593Y25	RES,RK 101F 1/10 -CP
FRONT-P.W.Board			<a href="#">R8519</a>	06S15593Y25	RES,RK 101F 1/10 -CP
FRONT-P.W.Board			<a href="#">R8520</a>	06S55363Y33	RES,RK 47RJ 1/8 -CP
FRONT-P.W.Board			<a href="#">R8521</a>	06S45674W57	RES,RK 102J 1/10 -CP
FRONT-P.W.Board			<a href="#">R8530</a>	06S64995F21	RES,RK 47RJ 1/8 -CP
FRONT-P.W.Board			<a href="#">R8531</a>	06S45675W36	RES,RK 335J 1/10 -CP
FRONT-P.W.Board			<a href="#">R8532</a>	06S45674W57	RES,RK 102J 1/10 -CP
FRONT-P.W.Board			<a href="#">R8540</a>	06S15593Y77	RES,RK 153F 1/10 -CP
FRONT-P.W.Board			<a href="#">R8541</a>	06S15593Y87	RES,RK 393F 1/10 -CP
FRONT-P.W.Board			<a href="#">R8542</a>	06S15593Y53	RES,RK 152F 1/10 -CP
FRONT-P.W.Board			<a href="#">R8543</a>	06S15593Y53	RES,RK 152F 1/10 -CP
FRONT-P.W.Board			<a href="#">R8546</a>	06S15593Y55	RES,RK 182F 1/10 -CP
FRONT-P.W.Board			<a href="#">R8547</a>	06S15593Y55	RES,RK 182F 1/10 -CP
FRONT-P.W.Board			<a href="#">R8549</a>	06S15593Y59	RES,RK 272F 1/10 -CP
FRONT-P.W.Board			<a href="#">R8550</a>	06S15593Y59	RES,RK 272F 1/10 -CP
FRONT-P.W.Board			<a href="#">R8551</a>	06S15593Y63	RES,RK 392F 1/10 -CP
FRONT-P.W.Board			<a href="#">R8553</a>	06S15593Y63	RES,RK 392F 1/10 -CP
FRONT-P.W.Board			<a href="#">R8555</a>	06S15593Y69	RES,RK 682F 1/10 -CP
FRONT-P.W.Board			<a href="#">R8556</a>	06S15593Y69	RES,RK 682F 1/10 -CP
FRONT-P.W.Board			<a href="#">R8558</a>	06S15593Y77	RES,RK 153F 1/10 -CP
FRONT-P.W.Board			<a href="#">R8560</a>	06S15593Y87	RES,RK 393F 1/10 -CP
FRONT-P.W.Board			<a href="#">R8563</a>	06S45674W57	RES,RK 102J 1/10 -CP
FRONT-P.W.Board			<a href="#">R8564</a>	06S45674W57	RES,RK 102J 1/10 -CP
FRONT-P.W.Board			<a href="#">R8600</a>	06S55361Y55	RES,RK 391J 1/4 -CP
FRONT-P.W.Board			<a href="#">R8601</a>	06S55361Y59	RES,RK 561J 1/4 -CP
FRONT-P.W.Board			<a href="#">R8602</a>	06S55361Y55	RES,RK 391J 1/4 -CP
FRONT-P.W.Board			<a href="#">R8603</a>	06S55361Y53	RES,RK 331J 1/4 -CP
FRONT-P.W.Board			<a href="#">R8604</a>	06S55361Y59	RES,RK 561J 1/4 -CP
FRONT-P.W.Board			<a href="#">R8605</a>	06S70072F47	RES,CP .561-J-1/4-CP
FRONT-P.W.Board			<a href="#">R8606</a>	06S45674W81	RES,RK 103J 1/10 -CP
FRONT-P.W.Board			<a href="#">R8607</a>	06S15593Y63	RES,RK 392F 1/10 -CP
FRONT-P.W.Board			<a href="#">R8608</a>	06S55361Y53	RES,RK 331J 1/4 -CP
FRONT-P.W.Board			<a href="#">R8609</a>	06S70072F45	RES,CP .471-J-1/4-CP
FRONT-P.W.Board			<a href="#">R8610</a>	06S55361Y62	RES,RK 751J 1/4 -CP
FRONT-P.W.Board			<a href="#">R8611</a>	06S45674W81	RES,RK 103J 1/10 -CP
FRONT-P.W.Board			<a href="#">R8612</a>	06S15593Y63	RES,RK 392F 1/10 -CP
FRONT-P.W.Board			<a href="#">R8613</a>	06S70072F63	RES,CP .272-J-1/4-CP
FRONT-P.W.Board			<a href="#">R8614</a>	06S45674W81	RES,RK 103J 1/10 -CP
FRONT-P.W.Board			<a href="#">R8615</a>	06S55365Y81	RES,RK 472J 1/10 -CP
FRONT-P.W.Board			<a href="#">R8616</a>	06S70072F63	RES,CP .272-J-1/4-CP
FRONT-P.W.Board			<a href="#">R8617</a>	06S45674W81	RES,RK 103J 1/10 -CP
FRONT-P.W.Board			<a href="#">R8618</a>	06S55365Y81	RES,RK 472J 1/10 -CP
FRONT-P.W.Board			<a href="#">R8619</a>	06S55361Y61	RES,RK 681J 1/4 -CP
FRONT-P.W.Board			<a href="#">R8620</a>	06S45674W81	RES,RK 103J 1/10 -CP
FRONT-P.W.Board			<a href="#">R8621</a>	06S15593Y63	RES,RK 392F 1/10 -CP

NOTE:The part that has not PART NUMBER will not be supplied.

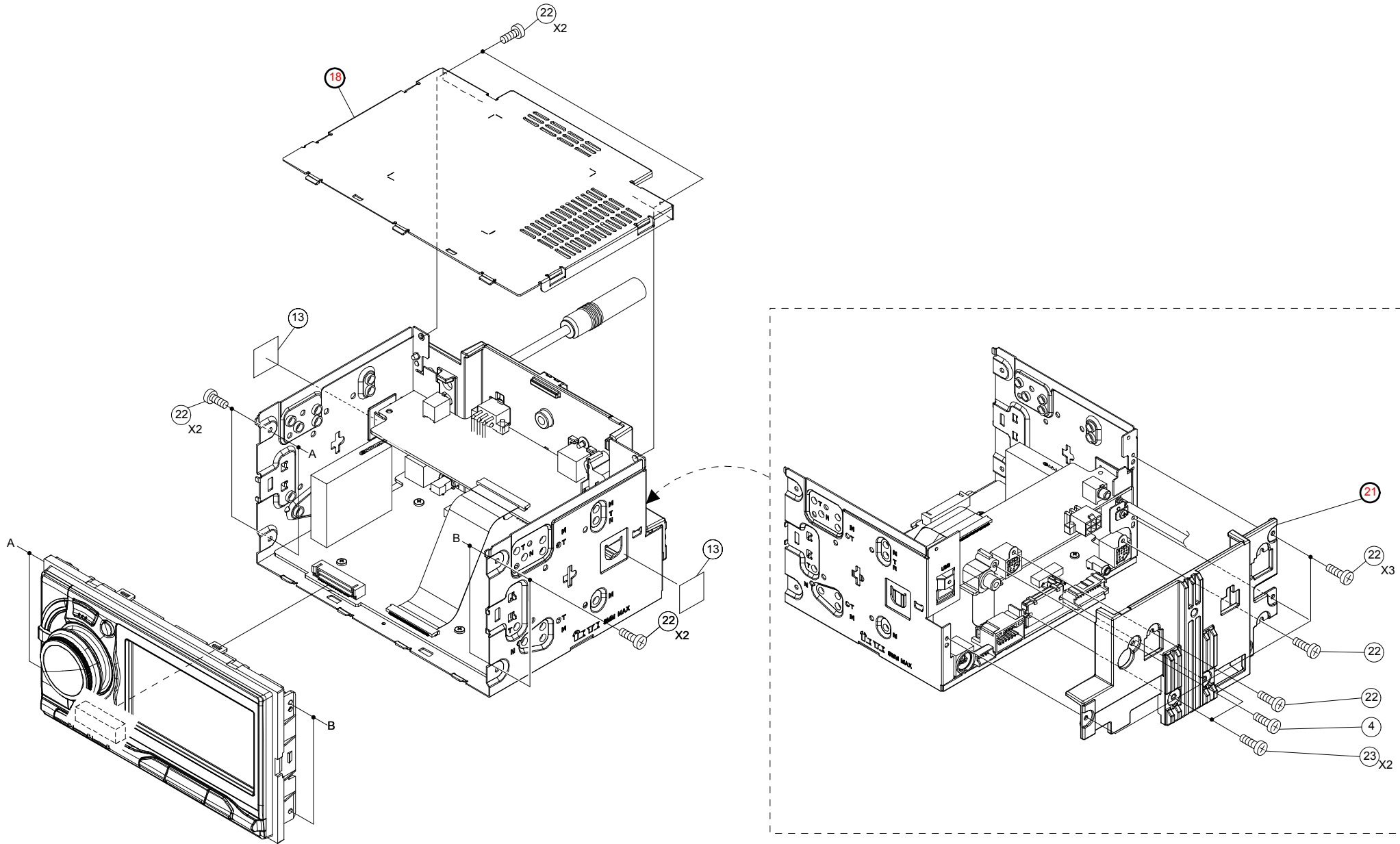
P.W.Board	MIS	MODEL	Ref.	Parts No.	Parts Name
FRONT-P.W.Board			<a href="#">R8622</a>	06S55361Y59	RES,RK 561J 1/4 -CP
FRONT-P.W.Board			<a href="#">R8623</a>	06S55361Y66	RES,RK 112J 1/4 -CP
FRONT-P.W.Board			<a href="#">R8624</a>	06S70072F55	RES,CP .122-J-1/4-CP
FRONT-P.W.Board			<a href="#">R8625</a>	06S55363Y33	RES,RK 47RJ 1/8 -CP
FRONT-P.W.Board			<a href="#">R8626</a>	06S55363Y33	RES,RK 47RJ 1/8 -CP
FRONT-P.W.Board			<a href="#">R8700</a>	06S15593Y53	RES,RK 152F 1/10 -CP
FRONT-P.W.Board			<a href="#">R8701</a>	06S55361Y83	RES,RK 562J 1/4 -CP
FRONT-P.W.Board			<a href="#">R8702</a>	06S15593Y61	RES,RK 332F 1/10 -CP
FRONT-P.W.Board			<a href="#">R8703</a>	06S15593Y41	RES,RK 471F 1/10 -CP
FRONT-P.W.Board			<a href="#">R8705</a>	06S15593Y55	RES,RK 182F 1/10 -CP
FRONT-P.W.Board			<a href="#">R8706</a>	06S55361Y83	RES,RK 562J 1/4 -CP
FRONT-P.W.Board			<a href="#">R8707</a>	06S15593Y77	RES,RK 153F 1/10 -CP
FRONT-P.W.Board			<a href="#">R8708</a>	06S15593Y43	RES,RK 561F 1/10 -CP
FRONT-P.W.Board			<a href="#">R8720</a>	06S15593Y53	RES,RK 152F 1/10 -CP
FRONT-P.W.Board			<a href="#">R8721</a>	06S55361Y83	RES,RK 562J 1/4 -CP
FRONT-P.W.Board			<a href="#">R8722</a>	06S15593Y61	RES,RK 332F 1/10 -CP
FRONT-P.W.Board			<a href="#">R8724</a>	06S15593Y41	RES,RK 471F 1/10 -CP
FRONT-P.W.Board			<a href="#">R8813</a>	06S45674W09	RES,RK 10RJ 1/10 -CP
FRONT-P.W.Board			<a href="#">R8816</a>	06S55364Y06	RES,RK 473J 1/8 -CP
FRONT-P.W.Board			<a href="#">RA8001</a>	06S15771Y07	RES,ARYEXB28V33RJ-CP
FRONT-P.W.Board			<a href="#">RA8002</a>	06S15771Y07	RES,ARYEXB28V33RJ-CP
FRONT-P.W.Board			<a href="#">RA8003</a>	06S15771Y07	RES,ARYEXB28V33RJ-CP
FRONT-P.W.Board			<a href="#">RA8004</a>	06S15771Y07	RES,ARYEXB28V33RJ-CP
FRONT-P.W.Board			<a href="#">RA8005</a>	06S15771Y07	RES,ARYEXB28V33RJ-CP
FRONT-P.W.Board			<a href="#">RA8006</a>	06S15771Y07	RES,ARYEXB28V33RJ-CP
FRONT-P.W.Board			<a href="#">RA8007</a>	06S15771Y07	RES,ARYEXB28V33RJ-CP
FRONT-P.W.Board			<a href="#">RA8008</a>	06S15771Y07	RES,ARYEXB28V33RJ-CP
FRONT-P.W.Board			<a href="#">RA8009</a>	06S15771Y07	RES,ARYEXB28V33RJ-CP
FRONT-P.W.Board			<a href="#">RA8010</a>	06S15771Y11	RES,ARYEXB28V68RJ-CP
FRONT-P.W.Board			<a href="#">RA8011</a>	06S15771Y11	RES,ARYEXB28V68RJ-CP
FRONT-P.W.Board			<a href="#">RA8012</a>	06S15771Y07	RES,ARYEXB28V33RJ-CP
FRONT-P.W.Board			<a href="#">RA8013</a>	06S15771Y07	RES,ARYEXB28V33RJ-CP
FRONT-P.W.Board			<a href="#">RA8014</a>	06S15771Y07	RES,ARYEXB28V33RJ-CP
FRONT-P.W.Board			<a href="#">RA8015</a>	06S15771Y07	RES,ARYEXB28V33RJ-CP
FRONT-P.W.Board			<a href="#">RA8016</a>	06S15771Y11	RES,ARYEXB28V68RJ-CP
FRONT-P.W.Board			<a href="#">RA8018</a>	06S15771Y37	RES,ARYEXB28V103J-CP
FRONT-P.W.Board			<a href="#">RA8019</a>	06S15771Y37	RES,ARYEXB28V103J-CP
FRONT-P.W.Board			<a href="#">RA8250</a>	06S15771Y11	RES,ARYEXB28V68RJ-CP
FRONT-P.W.Board			<a href="#">RA8251</a>	06S15771Y11	RES,ARYEXB28V68RJ-CP
FRONT-P.W.Board			<a href="#">RA8252</a>	06S15771Y11	RES,ARYEXB28V68RJ-CP
FRONT-P.W.Board			<a href="#">RA8253</a>	06S15771Y11	RES,ARYEXB28V68RJ-CP
FRONT-P.W.Board			<a href="#">RA8300</a>	06S15771Y13	RES,ARYEXB28V101J-CP
FRONT-P.W.Board			<a href="#">RA8301</a>	06S15771Y13	RES,ARYEXB28V101J-CP
FRONT-P.W.Board			<a href="#">RA8302</a>	06S15771Y13	RES,ARYEXB28V101J-CP
FRONT-P.W.Board			<a href="#">RA8303</a>	06S15771Y13	RES,ARYEXB28V101J-CP
FRONT-P.W.Board			<a href="#">RA8304</a>	06S15771Y13	RES,ARYEXB28V101J-CP
FRONT-P.W.Board			<a href="#">RA8305</a>	06S15771Y13	RES,ARYEXB28V101J-CP
FRONT-P.W.Board			<a href="#">SD8401</a>	48-06874Z03	DIO,SHT MA24D52-TXE1
FRONT-P.W.Board			<a href="#">SW8540</a>	40T65353Y01	SW,TACT SKRPACE010E2

NOTE:The part that has not PART NUMBER will not be supplied.

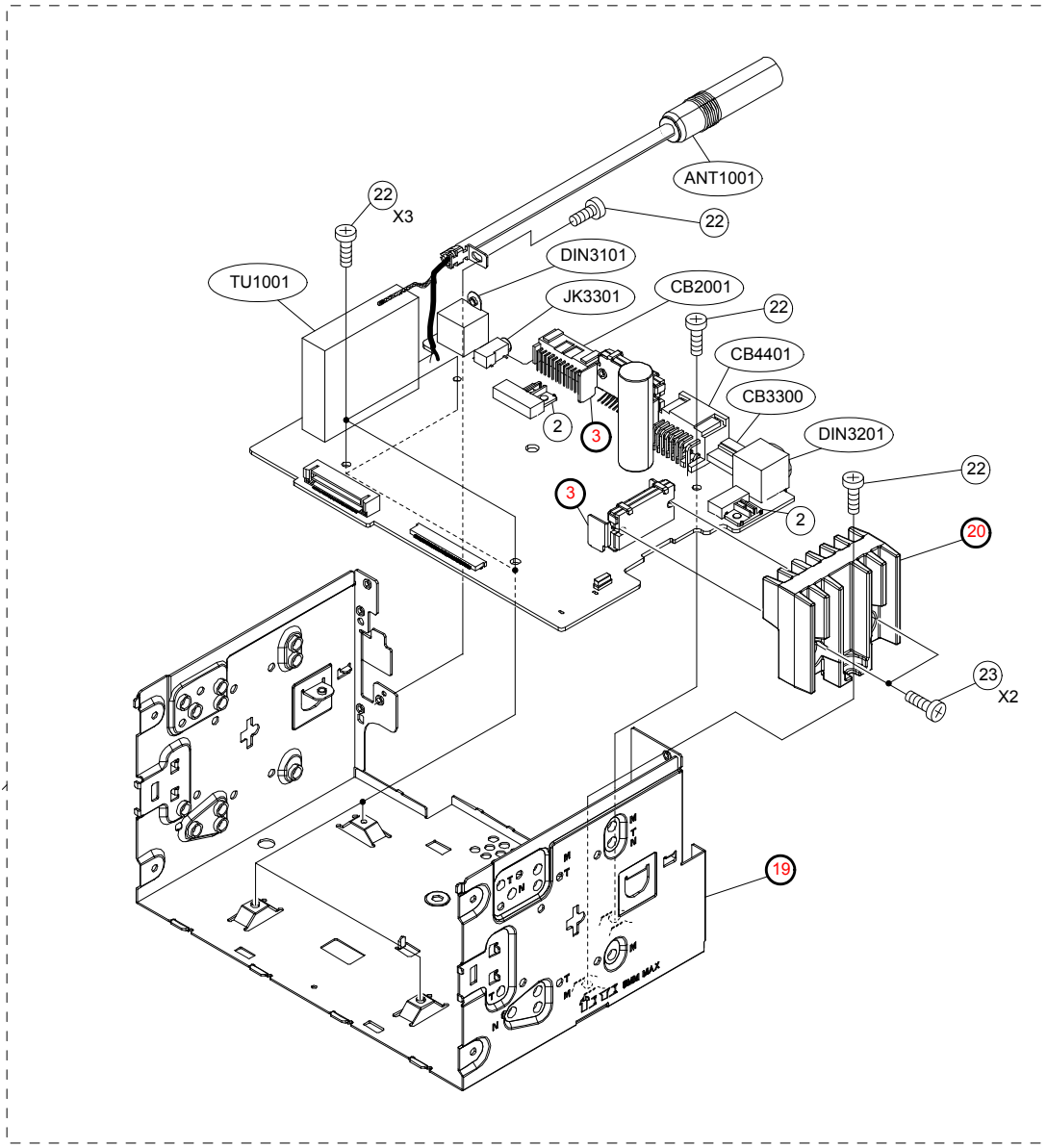
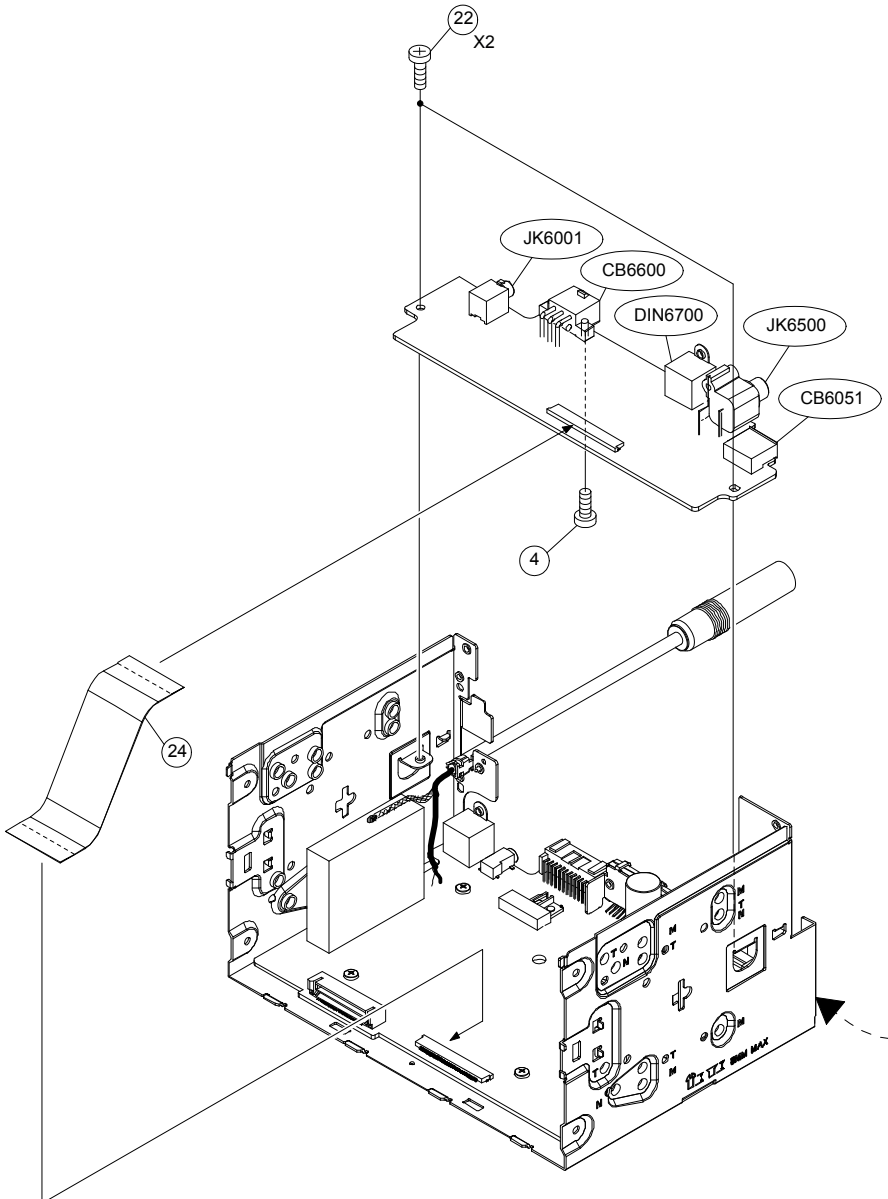
P.W.Board	MIS	MODEL	Ref.	Parts No.	Parts Name
FRONT-P.W.Board		<a href="#">SW8541</a>	40T65353Y01	SW,TACT SKRSPACE010E2	
FRONT-P.W.Board		<a href="#">SW8542</a>	40T65353Y01	SW,TACT SKRSPACE010E2	
FRONT-P.W.Board		<a href="#">SW8543</a>	40T65353Y01	SW,TACT SKRSPACE010E2	
FRONT-P.W.Board		<a href="#">SW8544</a>	40T65353Y01	SW,TACT SKRSPACE010E2	
FRONT-P.W.Board		<a href="#">SW8545</a>	40T65353Y01	SW,TACT SKRSPACE010E2	
FRONT-P.W.Board		<a href="#">SW8546</a>	40T65353Y01	SW,TACT SKRSPACE010E2	
FRONT-P.W.Board		<a href="#">SW8547</a>	40T65353Y01	SW,TACT SKRSPACE010E2	
FRONT-P.W.Board		<a href="#">SW8548</a>	40T65353Y01	SW,TACT SKRSPACE010E2	
FRONT-P.W.Board		<a href="#">SW8549</a>	40T65353Y01	SW,TACT SKRSPACE010E2	
FRONT-P.W.Board		<a href="#">SW8550</a>	40T35558Y09	SW,TACT SKPMAQE010E2	
FRONT-P.W.Board		<a href="#">SW8551</a>	40T65353Y01	SW,TACT SKRSPACE010E2	
FRONT-P.W.Board		<a href="#">SW8552</a>	40T65353Y01	SW,TACT SKRSPACE010E2	
FRONT-P.W.Board		<a href="#">SW8553</a>	40-10796Z01	ENC,EC35B154H401 -DB	
FRONT-P.W.Board		<a href="#">SW8554</a>	40T65353Y01	SW,TACT SKRSPACE010E2	
FRONT-P.W.Board		<a href="#">SW8555</a>	40T65353Y01	SW,TACT SKRSPACE010E2	
FRONT-P.W.Board		<a href="#">TH8450</a>	48T25250Y06	TMT,ERTJ1VR223G -CP	
FRONT-P.W.Board		<a href="#">XL8000</a>	91-15685Z01	XTL,XX 33.0M -CP	
FRONT-P.W.Board		<a href="#">XL8001</a>	91T65170Y06	XTL,2725T 8.0000M-E2	
FRONT-P.W.Board		<a href="#">ZD8500</a>	48-11191Z24	DIO,ZEN MAZ8056GH-CP	
FRONT-P.W.Board		<a href="#">ZD8501</a>	48-11191Z24	DIO,ZEN MAZ8056GH-CP	
Miscellaneous		<a href="#">ET8500</a>	40-14615Z01	ASSY,EMU601G2A617	
Miscellaneous		<a href="#">LCD8401</a>	65-14886Z01	ASSY,C043GW01 V1	

NOTE:The part that has not PART NUMBER will not be supplied.

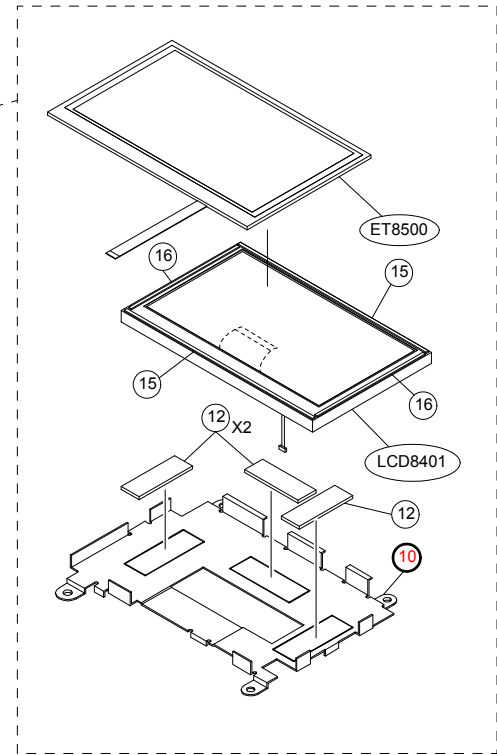
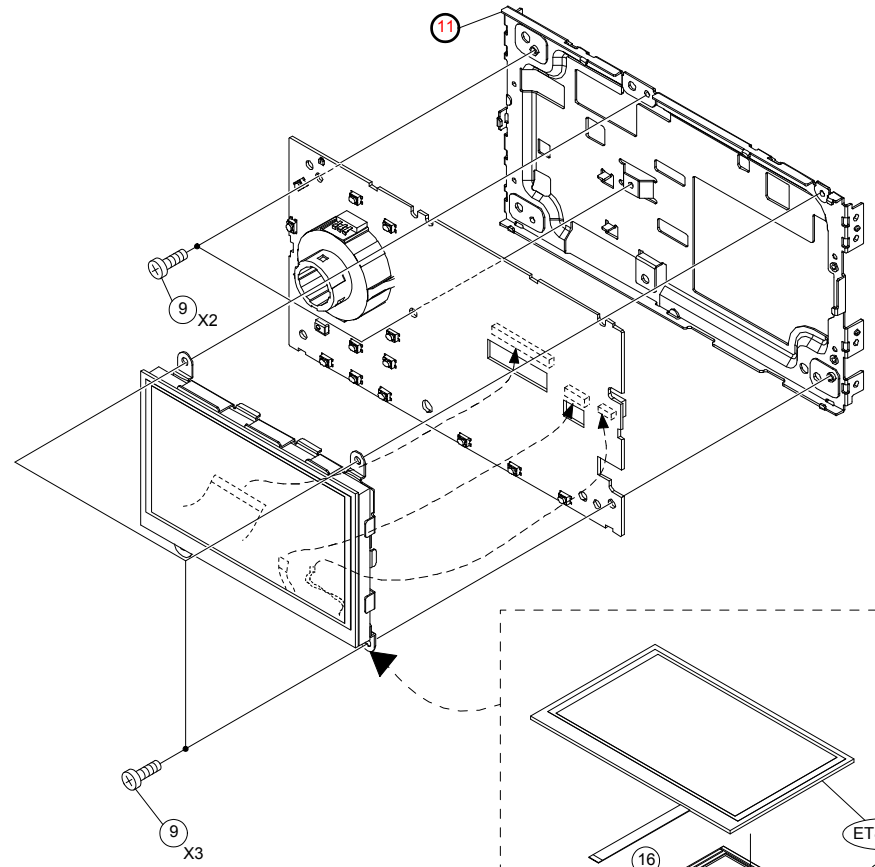
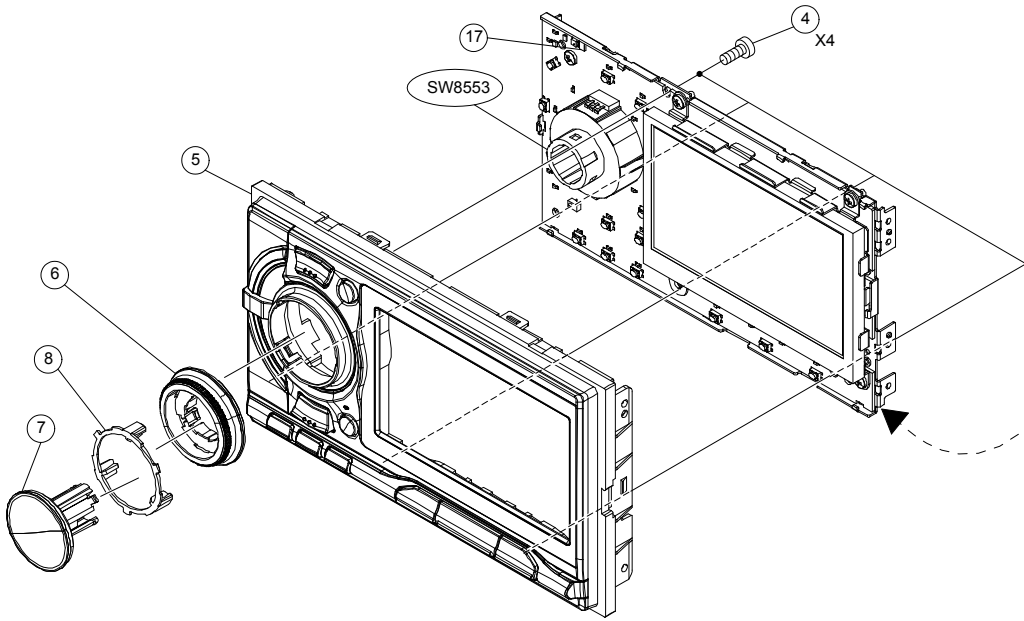
# Exploded View (Cabinet) (1/3)



# Exploded View (Cabinet) (2/3)



# Exploded View (Cabinet) (3/3)



MODEL	Symbol No.	Parts No.	Description
	<a href="#">2</a>	36A04141K02	KNOB,SLIDE
	<a href="#">3</a>	-----	BKT,IC
	<a href="#">4</a>	03S60825Y04	SCR,B-T 3X8 ZN A
	<a href="#">5</a>	EN-14291Z01	NOSE,PIECE ASSY
	<a href="#">6</a>	36-14173Z01	KNOB,ROTARY
	<a href="#">7</a>	15-14170Z01	PLATE,ROTARY ASSY
	<a href="#">8</a>	15-14174Z01	HOLDER,LOCK
	<a href="#">9</a>	03S60822Y13	SCR,S-T 2.6X6 ZN A
	<a href="#">10</a>	-----	COVER,LCD
	<a href="#">11</a>	-----	BKT,MONITOR
	<a href="#">12</a>	75-06068Z82	CUS,RUB 10X30XT1.5
	<a href="#">13</a>	54-14525Z01	LABEL,CHAS
	<a href="#">15</a>	14-16000Z03	INS,TAPE LCD
	<a href="#">16</a>	14-16000Z04	INS,TAPE LCD
	<a href="#">17</a>	75-06068Z70	CUS,RUB 3.4X2.6XT3
	<a href="#">18</a>	-----	COVER,TOP
	<a href="#">19</a>	-----	CHAS,BASE
	<a href="#">20</a>	-----	HEAT,SINK SYS
	<a href="#">21</a>	-----	HEAT,SINK
	<a href="#">22</a>	03S60822Y13	SCR,S-T 2.6X6 ZN A
	<a href="#">23</a>	03S60822Y22	SCR,S-T 2.6X14 ZN A
	<a href="#">24</a>	30-14788Z01	SML2CD-60X112-BDX6
	<a href="#">ANT1001</a>	09-06103Z01	ASSY,ANID-0035-01A
	<a href="#">CB2001</a>	09-07665Z05	WTB,S24B-PADSS-1 -DB
	<a href="#">CB3300</a>	09-14579Z02	WTB,S06B-PASK-2 -DB
	<a href="#">CB4401</a>	09T35473Y16	WTB,F169B001-16 -DB
	<a href="#">CB6051</a>	09-11455Z01	SKT,YKF45-0039N -DB
	<a href="#">CB6600</a>	09T13515W06	WTB,5569-06A1 -DB
	<a href="#">DIN3101</a>	09T15462Y08	DIN,TCS7782-019117DB
	<a href="#">DIN3201</a>	09T55071W11	CON,TCP9389-11 -DT
	<a href="#">DIN6700</a>	09T15462Y02	DIN,TCS7741-01WA -DB
	<a href="#">ET8500</a>	40-14615Z01	ASSY,EMU601G2A617
	<a href="#">JK3301</a>	09-12459Z01	JAC,HSJ1765-011075EA
	<a href="#">JK6001</a>	09T03156K01	JAC,CK-3.5-14 -DB
	<a href="#">JK6500</a>	09T15627W04	RCA,T6314-AACB -DB
	<a href="#">LCD8401</a>	65-14886Z01	ASSY,C043GW01 V1
	<a href="#">SW8553</a>	40-10796Z01	ENC,EC35B154H401 -DB
	<a href="#">TU1001</a>	TU-00887Z03	TUNER,MX-A210

NOTE:The part that has not PART NUMBER will not be supplied.