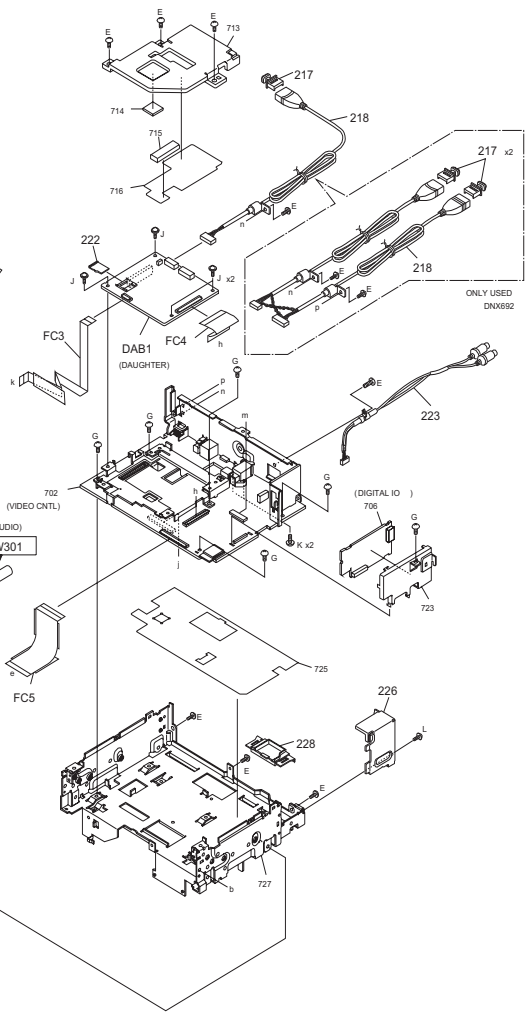
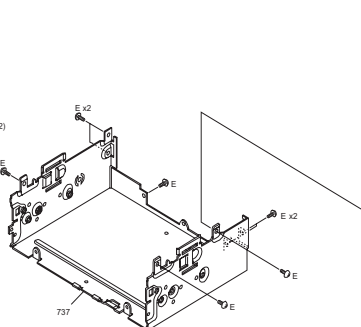
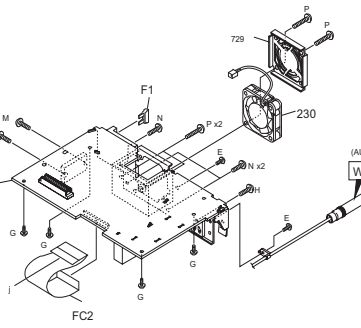
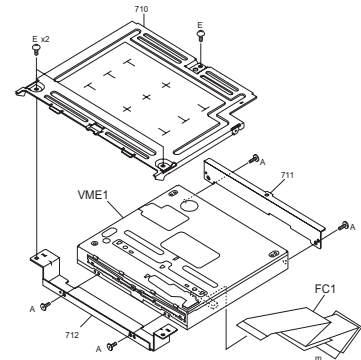
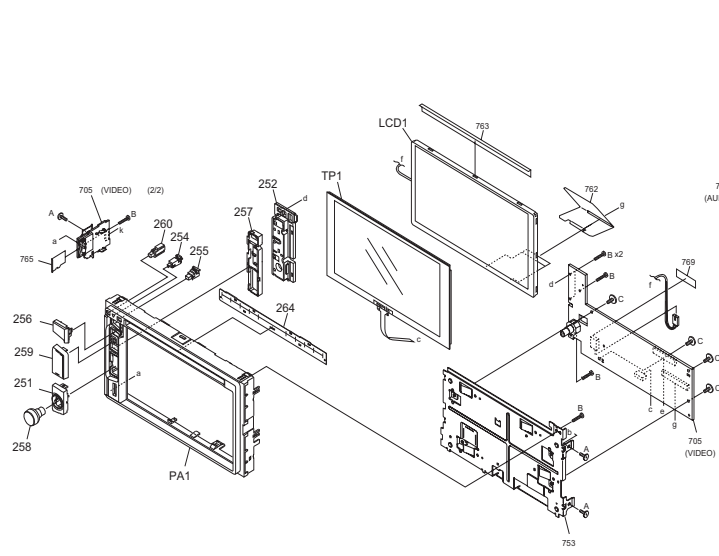
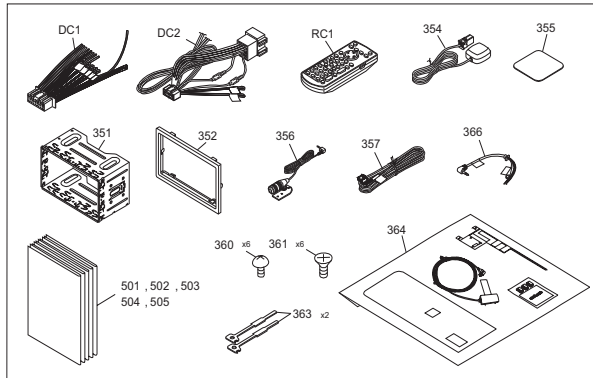


EXPLODED VIEW (UNIT)

Block No.M1MM



Parts with the exploded numbers larger than 700 are not supplied.
 created date:2015-02-23

| MODEL | MARK | MODEL | MARK | MODEL | MARK | MODEL | MARK |
|------------|------|------------|------|------------|------|------------|------|
| DNX4150BT | E4 | DNX4150BT | M1 | DNX4150BT | R2 | DNX4150BT | X2 |
| DNX4150BTM | M2 | DNX4150BTR | Q1 | DNX4150DAB | E3 | DNX4150DAB | X1 |
| DNX572BH | K3 | DNX692 | K2 | | | | |

| Safe | Symbol No. | Parts No. | Parts Name | Description | QTY | Local |
|------|------------|-----------|------------|-------------|-----|-------|
|------|------------|-----------|------------|-------------|-----|-------|

EXPLODED VIEW (UNIT) <M1MM>

| | | | | | | |
|---|------|----------------|---------------------|---------------------|----|----------------------------|
| | DAB1 | CB-15DNXSOC2D | DAUGHTER PWB ASSY | | 1 | E4,M1,R2,X2,M2,Q1,E3,X1,K3 |
| | DAB1 | CB-15DNXSOC1D | DAUGHTER PWB ASSY | | 1 | K2 |
| | DC1 | QAM1572-001 | DC CORD | | 1 | M1,R2,X2,M2,X1,K3,K2 |
| | DC2 | QAM1354-001 | DC CORD | | 1 | E4,Q1,E3 |
| △ | F1 | FZB10AU-100 | BLADE FUSE | 10A | 1 | |
| | FC1 | WJT0353-001A-E | E-CARD WIRE | | 1 | |
| | FC2 | WJT0359-001A-E | E-CARD WIRE | | 1 | |
| | FC3 | E3F-0034-00 | FLAT CABLE | | 1 | |
| | FC4 | WJT0360-001A-E | E-CARD WIRE | | 1 | |
| | FC5 | WJT0349-001A-E | E-CARD WIRE | | 1 | |
| | LCD1 | B3H-0014-10 | LCD | | 1 | |
| | PA1 | A6C-0011-07 | PANEL | | 1 | E4 |
| | PA1 | A6C-0011-06 | PANEL | | 1 | M1,R2,X2,M2,Q1 |
| | PA1 | A6C-0011-02 | PANEL | | 1 | E3 |
| | PA1 | A6C-0011-05 | PANEL | | 1 | X1 |
| | PA1 | A6C-0011-01 | PANEL | | 1 | K3 |
| | PA1 | A6C-0011-00 | PANEL | | 1 | K2 |
| | RC1 | QAL1553-001 | REMOTE CONTROL UNIT | | 1 | M1,R2,X2,M2,X1 |
| | TP1 | W0C-0063-10 | TOUCH PANEL | | 1 | |
| | VME1 | FD2-2C10NXN | DVD MECHA MODUL | | 1 | |
| | A | LV45552-003A | SPECIAL SCREW | | 7 | |
| | B | VKZ4777-015 | MINI SCREW | | 6 | |
| | C | LV44615-003A | SPECIAL SCREW | | 4 | |
| | E | QYSDST2606ZA | TAP SCREW | M2.6 x 6mm | 21 | E4,Q1,E3,K3 |
| | E | QYSDST2606ZA | TAP SCREW | M2.6 x 6mm | 20 | M1,R2,X2,M2,X1 |
| | E | QYSDST2606ZA | TAP SCREW | M2.6 x 6mm | 22 | K2 |
| | G | GE40377-002A | SPECIAL SCREW | | 10 | |
| | H | QYSDSF2608ZA | TAP SCREW | M2.6 x 8mm | 1 | |
| | J | N09-6939-05 | TAPTITE SCREW | | 4 | |
| | K | QYSDSG3006ZA | TAP SCREW | M3 x 6mm | 2 | |
| | L | QYSDST3006MA | TAP SCREW | M3 x 6mm | 1 | |
| | M | QYSDST2610ZA | TAP SCREW | M2.6 x 10mm | 2 | |
| | N | QYSPSG3008ZA | TAP SCREW | M3 x 8mm | 3 | |
| | P | QYSPST2614ZA | TAP SCREW | M2.6 x 14mm | 4 | |
| | 217 | LV45959-001A | CAP | | 1 | E4,M1,R2,X2,M2,Q1,E3,X1,K3 |
| | 217 | LV45959-001A | CAP | | 2 | K2 |
| | 218 | QAM1599-001 | CAR CABLE | | 1 | E4,M1,M2,Q1,E3 |
| | 218 | QAM1600-001 | CAR CABLE | | 1 | R2,X2,X1,K3 |
| | 218 | E3A-0065-10 | CORD W.CON. | | 1 | K2 |
| | 222 | W0C-0088-10 | IC MEMORY CARD | | 1 | E4,E3 |
| | 222 | W0C-0089-10 | IC MEMORY CARD | | 1 | M1,R2,X2,M2,Q1,X1 |
| | 222 | W0C-0109-00 | IC MEMORY CARD | | 1 | Q1 |
| | 222 | W0C-0087-10 | IC MEMORY CARD | | 1 | K3,K2 |
| | 223 | E3A-0068-00 | CORD W.PINJACK | | 1 | |
| | 226 | F07-2289-03 | COVER | | 1 | |
| | 228 | LV3A678-001A | HOLE CAP | | 1 | |
| △ | 230 | QAR0521-001 | COOLING FAN | | 1 | |
| | 251 | A2B-0008-14 | DRESSING PANEL | | 1 | E4,M1,X2,M2,Q1,E3,X1 |
| | 251 | A2B-0008-06 | DRESSING PANEL | | 1 | R2,K2 |
| | 251 | A2B-0008-07 | DRESSING PANEL | | 1 | K3 |
| | 252 | B1K-0027-10 | LIGHTING B ASSY | | 1 | |
| | 254 | K2A-0001-00 | KNOB | | 1 | |
| | 255 | K2A-0002-00 | KNOB | | 1 | |
| | 256 | K2A-0003-03 | KNOB | | 1 | E4,E3 |
| | 256 | K2A-0003-02 | KNOB | | 1 | M1,R2,X2,M2,Q1,X1,K3,K2 |
| | 257 | K2K-0112-11 | KNOB BASE | | 1 | |
| | 258 | K2K-0120-00 | KNOB ASSY | | 1 | |
| | 259 | K2K-0140-07 | KNOB ASSY | | 1 | E4,M1,R2,X2,M2,Q1,E3,X1,K2 |
| | 259 | K2K-0140-08 | KNOB ASSY | | 1 | K3 |
| | 260 | W1A-0003-00 | LENS | | 1 | |
| | 264 | F1K-0005-00 | BLIND PLATE | | 1 | |
| | 351 | J2C-0006-00 | MOUNTING ASSY | | 1 | E4,R2,Q1,E3,K3,K2 |
| | 352 | B9H-0001-00 | ESCUTCHEON | | 1 | |
| | 354 | QAL1550-001 | ANTENNA | | 1 | |
| | 355 | LV45939-001A | GPS BRACKET | | 1 | |
| | 356 | QAN0137-001 | MICROPHONE | | 1 | |
| | 357 | QAM1611-001 | CAR CABLE | | 1 | |
| | 360 | N34-5006-48 | TR.HEAD M.SCREW | | 6 | M1,R2,X2,M2,X1,K3,K2 |
| | 361 | N32-5007-48 | MACHINE SCREW | | 6 | M1,R2,X2,M2,X1,K3,K2 |
| | 363 | LV45516-001A | LEVER | | 2 | E4,R2,Q1,E3,K3,K2 |
| | 364 | E3A-0067-00 | ANTENNA CABLE | | 1 | X1 |
| | 366 | QAM1419-001 | CAR CABLE | | 1 | M1,X2,M2,X1 |
| | 501 | B5K-0082-00 | SUB-INST.MANUAL | ENG | 1 | E4,Q1,E3 |
| | 501 | B5K-0083-00 | SUB-INST.MANUAL | ENG | 1 | M1,X2,M2,X1 |
| | 501 | B5K-0081-00 | SUB-INST.MANUAL | ENG SPA | 1 | R2 |
| | 502 | B5K-0082-01 | SUB-INST.MANUAL | FRE GER DUT | 1 | E4,E3 |
| | 502 | B5K-0083-01 | SUB-INST.MANUAL | CHI(PEKIN) | 1 | M1 |
| | 502 | B5K-0081-02 | SUB-INST.MANUAL | POR(LATIN AMERICA) | 1 | R2 |
| | 502 | B5K-0083-02 | SUB-INST.MANUAL | ARA | 1 | M2 |
| | 502 | B5K-0082-03 | SUB-INST.MANUAL | RUS | 1 | Q1 |
| | 502 | B5K-0081-00 | SUB-INST.MANUAL | ENG SPA | 1 | K3,K2 |
| | 503 | B5K-0082-02 | SUB-INST.MANUAL | SPA ITA POR(EUROPE) | 1 | E4,E3 |
| | 503 | B5K-0081-01 | SUB-INST.MANUAL | FRE | 1 | K3,K2 |
| | 504 | B5A-0403-00 | INST.MANUAL | ARA | 1 | M2 |
| | 505 | B5A-0403-01 | INST.MANUAL | ARA | 1 | M2 |

| | | | | | | | |
|------------|------|------------|------|------------|------|------------|------|
| MODEL | MARK | MODEL | MARK | MODEL | MARK | MODEL | MARK |
| DNX4150BT | E4 | DNX4150BT | M1 | DNX4150BT | R2 | DNX4150BT | X2 |
| DNX4150BTM | M2 | DNX4150BTR | Q1 | DNX4150DAB | E3 | DNX4150DAB | X1 |
| DNX572BH | K3 | DNX692 | K2 | | | | |

| Safe | Symbol No. | Parts No. | Parts Name | Description | QTY | Local |
|------|------------|-----------|------------|-------------|-----|-------|
|------|------------|-----------|------------|-------------|-----|-------|

EXPLODED VIEW (DVD MECHANISM: FD2-2C10NXN) <MJMM>

| | | | | | | |
|-----|---------------|-----------------|--------------|--|----|--|
| VM1 | CM-FD2-ALM | LOADING M ASSY | | | 1 | |
| VT1 | CM-FD2-ATM2 | TM ASSY | | | 1 | |
| A | LV44959-002A | SPECIAL SCREW | | | 16 | |
| B | LV45727-001A | GEAR SCREW | | | 2 | |
| C | QYSPSPU1425MA | SCREW | M1.4 x 2.5mm | | 2 | |
| D | VKZ4539-054 | MINI SCREW | | | 3 | |
| F | LV44586-001A | SPECIAL SCREW | | | 1 | |
| 4 | LV45709-002A | CLAMP SPRING | | | 1 | |
| 7 | LV23006-002A | GUIDE 2 L | | | 1 | |
| 8 | LV23007-002A | GUIDE 2 R | | | 1 | |
| 9 | LV11842-004A | DISC GUIDE | | | 1 | |
| 14 | LV45704-001A | DAMPER SHAFT | | | 4 | |
| 15 | LV45724-001A | RUBBER ROLLER | | | 2 | |
| 17 | LV37652-002A | SHAFT GUIDE | | | 1 | |
| 18 | LV39938-001A | GEAR RETAINER | | | 1 | |
| 19 | LV45730-001A | ROLLER C WASHER | | | 1 | |
| 20 | CM-FD2-AROS | RO SHAFT ASSY | | | 1 | |
| 21 | LV45731-001A | ROLLER WASHER | | | 1 | |
| 22 | LV45718-001A | ROLLER RETAINER | | | 1 | |
| 23 | LV23003-002A | ROLLER HOLDER | | | 1 | |
| 24 | LV45713-001A | ROLLER SPRING R | | | 1 | |
| 26 | LV39932-002A | TRIGGER SLIDER | | | 1 | |
| 27 | LV45715-001A | TRIGGER SPRING | | | 1 | |
| 28 | LV23004-003A | SLIDER | | | 1 | |
| 29 | LV39935-002A | SLIDER SPRING | | | 1 | |
| 31 | LV39929-001A | DRIVE GEAR 4 | | | 1 | |
| 32 | LV39928-001A | DRIVE GEAR 3 | | | 3 | |
| 33 | LV39927-001A | DRIVE GEAR 2 | | | 1 | |
| 34 | LV39926-001A | DRIVE GEAR 1 | | | 1 | |
| 35 | LV23005-001A | GEAR HOLDER | | | 1 | |
| 36 | LV39923-002A | UD LEVER | | | 1 | |
| 37 | LV45712-003A | ROLLER SPRING L | | | 1 | |
| 38 | LV39934-001A | DAMPER | | | 4 | |
| 39 | LV45719-001A | PU FPC SHEET | | | 1 | |

| MODEL | MARK | MODEL | MARK | MODEL | MARK | MODEL | MARK |
|------------|------|------------|------|------------|------|------------|------|
| DNX4150BT | E4 | DNX4150BT | M1 | DNX4150BT | R2 | DNX4150BT | X2 |
| DNX4150BTM | M2 | DNX4150BTR | Q1 | DNX4150DAB | E3 | DNX4150DAB | X1 |
| DNX572BH | K3 | DNX692 | K2 | | | | |

| Safe | Symbol No. | Parts No. | Parts Name | Description | QTY | Local |
|------|------------|-----------|------------|-------------|-----|-------|
|------|------------|-----------|------------|-------------|-----|-------|

VIDEO CNTL PWB ASSY (XJ1-025x-xx) <01>

| | | | | |
|-------|----------------|-----------------|---|-------------------|
| IC11 | XC9252A08AV-G | MOS IC | 1 | |
| IC31 | AN33012UA | MOS IC | 1 | |
| IC81 | RP108J081B-X | SV-ANALOGUE IC | 1 | |
| IC101 | NJM2819ADL333 | BIPOLAR IC | 1 | |
| IC103 | XC6503D331PG-X | IC | 1 | |
| IC104 | NJM2819ADL333 | BIPOLAR IC | 1 | |
| IC105 | XC6213B502N-G | MOS IC | 1 | |
| IC106 | XC6213B502N-G | MOS IC | 1 | |
| IC107 | NJM2819ADL305X | IC | 1 | |
| IC108 | XC6213B502N-G | MOS IC | 1 | |
| IC141 | BD00C0AWFP | MOS IC | 1 | |
| IC171 | XC6223B331PG-X | IC | 1 | |
| IC172 | BA4560RF-X | IC | 1 | |
| IC191 | XC6213B332N-G | MOS IC | 1 | |
| IC201 | TPS2065CDBV | MOS IC | 1 | |
| IC202 | NJM2819ADL352X | IC | 1 | |
| IC203 | XC6120N412NG-X | IC | 1 | |
| IC211 | AK4388AET-X | IC | 1 | |
| IC501 | W3F-0035-00 | MCU IC | 1 | |
| IC502 | XC6120N282N-G | MOS IC | 1 | |
| IC535 | TC7SH08FU-X | IC(DIGITAL) | 1 | R2,K3,K2 |
| IC536 | TC7SET08FU-J-X | IC(DIGITAL) | 1 | R2,K3,K2 |
| IC541 | TC7SH08FU-X | IC(DIGITAL) | 1 | |
| IC565 | TC7SH08FU-X | IC(DIGITAL) | 1 | |
| IC566 | TC7SH08FU-X | IC(DIGITAL) | 1 | E4,M1,X2,M2,E3,X1 |
| IC567 | TC7SZ125FUF | MOS IC | 1 | E4,M1,X2,M2,E3,X1 |
| IC571 | M24C08-RDW6-X | IC | 1 | |
| IC572 | TC7SH08FU-X | IC(DIGITAL) | 1 | |
| IC701 | TPS2065CDBV | MOS IC | 1 | K2 |
| IC702 | NJM2819ADL352X | IC | 1 | |
| IC703 | XC6120N412NG-X | IC | 1 | |
| IC704 | TPS2065CDBV | MOS IC | 1 | |
| IC719 | AK4388AET-X | IC | 1 | |
| IC720 | AK4388AET-X | IC | 1 | |
| IC721 | XC6209B502PG-X | IC | 1 | |
| IC871 | NJW1341VC3-W | IC | 1 | |
| IC901 | MM1503XN-X | IC | 1 | |
| IC902 | NJM2584AM-X | SV-ANALOGUE IC | 1 | |
| IC921 | NJG1143UA2-W | IC | 1 | |
| IC922 | XC6213B332N-G | MOS IC | 1 | |
| Q11 | SSM3K15AMFVF | FET | 1 | |
| Q12 | LTC014YEBFS8 | DIGI TRANSISTOR | 1 | |
| Q13 | MTM98140-X | TRANSISTOR | 1 | |
| Q31 | MTM98140-X | TRANSISTOR | 1 | |
| Q51 | MTM98140-X | TRANSISTOR | 1 | |
| Q81 | LTA014YEBFS8 | DIGI TRANSISTOR | 1 | |
| Q82 | LTC014YEBFS8 | DIGI TRANSISTOR | 1 | |
| Q101 | LTC014YEBFS8 | DIGI TRANSISTOR | 1 | |
| Q102 | LTA014YEBFS8 | DIGI TRANSISTOR | 1 | |
| Q121 | LSCR523EBFS8 | TRANSISTOR | 1 | |
| Q122 | LSAR523EBFS8 | TRANSISTOR | 1 | |
| Q123 | LTA014TUBFS8 | DIGI TRANSISTOR | 1 | |
| Q124 | LSCR523EBFS8 | TRANSISTOR | 1 | |
| Q125 | LSAR523EBFS8 | TRANSISTOR | 1 | |
| Q126 | LTC014YEBFS8 | DIGI TRANSISTOR | 1 | |
| Q127 | LTC014YEBFS8 | DIGI TRANSISTOR | 1 | |
| Q128 | LSCR523EBFS8 | TRANSISTOR | 1 | |
| Q129 | LSAR523EBFS8 | TRANSISTOR | 1 | |
| Q201 | LTC014YEBFS8 | DIGI TRANSISTOR | 1 | |
| Q321 | LTA014YEBFS8 | DIGI TRANSISTOR | 1 | |
| Q322 | LSAR523UBFS8 | TRANSISTOR | 1 | |
| Q323 | LSCR523UBFS8 | TRANSISTOR | 1 | |
| Q331 | LTC024EUBFS8 | DIGI TRANSISTOR | 1 | |
| Q501 | 2SB1689-X | TRANSISTOR | 1 | |
| Q502 | LTC014YEBFS8 | DIGI TRANSISTOR | 1 | |
| Q503 | LSAR523EBFS8 | TRANSISTOR | 1 | |
| Q504 | LSAR523EBFS8 | TRANSISTOR | 1 | |
| Q505 | LTC044EEBFS8 | DIGI TRANSISTOR | 1 | |
| Q506 | LTC014YEBFS8 | DIGI TRANSISTOR | 1 | |
| Q507 | LTC014YEBFS8 | DIGI TRANSISTOR | 1 | |
| Q542 | LTA014YEBFS8 | DIGI TRANSISTOR | 1 | |
| Q543 | LTA014YEBFS8 | DIGI TRANSISTOR | 1 | |
| Q751 | LTC043TUBFS8 | DIGI TRANSISTOR | 1 | |
| Q752 | LTA014YEBFS8 | DIGI TRANSISTOR | 1 | |
| Q753 | LTC043TUBFS8 | DIGI TRANSISTOR | 1 | |
| Q821 | LSCR523UBFS8 | TRANSISTOR | 1 | |
| D12 | RB080L-30-X | SB DIODE | 1 | |
| D13 | DA2J101 | DIODE | 1 | |
| D31 | RB080L-30-X | SB DIODE | 1 | |
| D51 | RB080L-30-X | SB DIODE | 1 | |
| D81 | RB080L-30-X | SB DIODE | 1 | |
| D101 | GS1J-LTP | DIODE | 1 | |
| D102 | DA2J101 | DIODE | 1 | |
| D104 | GS1J-LTP | DIODE | 1 | |
| D105 | GS1J-LTP | DIODE | 1 | |
| D106 | DA2J101 | DIODE | 1 | |
| D107 | GS1J-LTP | DIODE | 1 | |
| D108 | DA2J101 | DIODE | 1 | |

| MODEL | MARK | MODEL | MARK | MODEL | MARK | MODEL | MARK |
|------------|------|------------|------|------------|------|------------|------|
| DNX4150BT | E4 | DNX4150BT | M1 | DNX4150BT | R2 | DNX4150BT | X2 |
| DNX4150BTM | M2 | DNX4150BTR | Q1 | DNX4150DAB | E3 | DNX4150DAB | X1 |
| DNX572BH | K3 | DNX692 | K2 | | | | |

| Safe | Symbol No. | Parts No. | Parts Name | Description | QTY | Local |
|------|------------|---------------|-------------|---------------|-----|----------|
| | D109 | GS1J-LTP | DIODE | | 1 | |
| | D122 | DZ2J062M | ZENER DIODE | | 1 | |
| | D123 | DZ2J062M | ZENER DIODE | | 1 | |
| | D142 | RB080L-30-X | SB DIODE | | 1 | |
| | D153 | MC2850-1 | DIODE ARRAY | | 1 | |
| | D154 | MC2850-1 | DIODE ARRAY | | 1 | |
| | D155 | MC2850-1 | DIODE ARRAY | | 1 | |
| | D171 | GS1J-LTP | DIODE | | 1 | |
| | D201 | DA2J101 | DIODE | | 1 | |
| | D202 | DA2J101 | DIODE | | 1 | |
| | D260 | DZ2J056M | ZENER DIODE | | 1 | R2,K3,K2 |
| | D261 | DZ2J056M | ZENER DIODE | | 1 | R2,K3,K2 |
| | D321 | DA2J101 | DIODE | | 1 | |
| | D332 | DA2J101 | DIODE | | 1 | |
| | D401 | MC2850-1 | DIODE ARRAY | | 1 | |
| | D701 | DA2J101 | DIODE | | 1 | |
| | D702 | DA2J101 | DIODE | | 1 | |
| | C1 | CK73GBB1H104K | C CAPACITOR | 0.1uF 50V K | 1 | |
| | C2 | CK73GBB1H104K | C CAPACITOR | 0.1uF 50V K | 1 | |
| | C4 | CK73HBB1H222K | C CAPACITOR | 2200pF 50V K | 1 | |
| | C6 | CE32BM1E101M | E CAPACITOR | 100uF 25V M | 1 | |
| | C7 | CK73GBB1H103K | C CAPACITOR | 0.01uF 50V K | 1 | |
| | C8 | CK73GBB1H104K | C CAPACITOR | 0.1uF 50V K | 1 | |
| | C12 | CK73GBB1H104K | C CAPACITOR | 0.1uF 50V K | 1 | |
| | C13 | CK73HBB1E103K | C CAPACITOR | 0.01uF 25V K | 1 | |
| | C14 | CK73EXR1E106K | C CAPACITOR | 10uF 25V K | 1 | |
| | C15 | CK73EXR1E106K | C CAPACITOR | 10uF 25V K | 1 | |
| | C16 | CK73GBB1H104K | C CAPACITOR | 0.1uF 50V K | 1 | |
| | C17 | CK73HBB1E103K | C CAPACITOR | 0.01uF 25V K | 1 | |
| | C18 | CK73GBB1A105K | C CAPACITOR | 1uF 10V K | 1 | |
| | C19 | CK73GBB1A105K | C CAPACITOR | 1uF 10V K | 1 | |
| | C21 | CC73HCH1H680J | C CAPACITOR | 68pF 50V J | 1 | |
| | C22 | CK73HBB1E103K | C CAPACITOR | 0.01uF 25V K | 1 | |
| | C23 | CK73HBB1A104K | C CAPACITOR | 0.1uF 10V K | 1 | |
| | C24 | CK73FXR0J226M | C CAPACITOR | 22uF 6.3V M | 1 | |
| | C25 | CK73FXR0J226M | C CAPACITOR | 22uF 6.3V M | 1 | |
| | C27 | CK73FXR0J226M | C CAPACITOR | 22uF 6.3V M | 1 | |
| | C31 | CK73GBB1H104K | C CAPACITOR | 0.1uF 50V K | 1 | |
| | C32 | CK73HBB1E103K | C CAPACITOR | 0.01uF 25V K | 1 | |
| | C33 | CK73EXR1E106K | C CAPACITOR | 10uF 25V K | 1 | |
| | C34 | CK73EXR1E106K | C CAPACITOR | 10uF 25V K | 1 | |
| | C35 | CK73GBB1H104K | C CAPACITOR | 0.1uF 50V K | 1 | |
| | C36 | CK73HBB1E103K | C CAPACITOR | 0.01uF 25V K | 1 | |
| | C39 | CK73HBB1H332K | C CAPACITOR | 3300pF 50V K | 1 | |
| | C40 | CK73HBB1E103K | C CAPACITOR | 0.01uF 25V K | 1 | |
| | C41 | CK73HBB1A104K | C CAPACITOR | 0.1uF 10V K | 1 | |
| | C42 | CK73FXR1C106K | C CAPACITOR | 10uF 16V K | 1 | |
| | C43 | CE32BM1A151M | E CAPACITOR | 150uF 10V M | 1 | |
| | C44 | CK73HBB1H222K | C CAPACITOR | 2200pF 50V K | 1 | |
| | C45 | CC73HCH1H181J | C CAPACITOR | 180pF 50V J | 1 | |
| | C46 | CK73HBB1H682K | C CAPACITOR | 6800pF 50V K | 1 | |
| | C51 | CK73GBB1H104K | C CAPACITOR | 0.1uF 50V K | 1 | |
| | C52 | CK73HBB1E103K | C CAPACITOR | 0.01uF 25V K | 1 | |
| | C53 | CK73EXR1E106K | C CAPACITOR | 10uF 25V K | 1 | |
| | C54 | CK73EXR1E106K | C CAPACITOR | 10uF 25V K | 1 | |
| | C55 | CK73GBB1H104K | C CAPACITOR | 0.1uF 50V K | 1 | |
| | C56 | CK73HBB1E103K | C CAPACITOR | 0.01uF 25V K | 1 | |
| | C59 | CK73HBB1H332K | C CAPACITOR | 3300pF 50V K | 1 | |
| | C60 | CK73HBB1E103K | C CAPACITOR | 0.01uF 25V K | 1 | |
| | C61 | CK73HBB1A104K | C CAPACITOR | 0.1uF 10V K | 1 | |
| | C62 | CK73FXR0J226M | C CAPACITOR | 22uF 6.3V M | 1 | |
| | C63 | CE32BM0J221M | E CAPACITOR | 220uF 6.3V M | 1 | |
| | C64 | CK73HBB1H222K | C CAPACITOR | 2200pF 50V K | 1 | |
| | C65 | CC73HCH1H181J | C CAPACITOR | 180pF 50V J | 1 | |
| | C66 | CK73HBB1H682K | C CAPACITOR | 6800pF 50V K | 1 | |
| | C67 | CC73GCH1H050C | C CAPACITOR | 5pF 50V C | 1 | |
| | C68 | CC73GCH1H050C | C CAPACITOR | 5pF 50V C | 1 | |
| | C69 | CC73GCH1H050C | C CAPACITOR | 5pF 50V C | 1 | |
| | C71 | CK730BF1E475K | C CAPACITOR | 4.7uF 25V K | 1 | |
| | C72 | CK73GBB1H104K | C CAPACITOR | 0.1uF 50V K | 1 | |
| | C73 | CK73HBB1C473K | C CAPACITOR | 0.047uF 16V K | 1 | |
| | C74 | CK73HBB1A104K | C CAPACITOR | 0.1uF 10V K | 1 | |
| | C75 | CC73HCH1H470J | C CAPACITOR | 47pF 50V J | 1 | |
| | C76 | CK73HBB1A104K | C CAPACITOR | 0.1uF 10V K | 1 | |
| | C77 | CK73GBB1A105K | C CAPACITOR | 1uF 10V K | 1 | |
| | C78 | CK73HBB1C473K | C CAPACITOR | 0.047uF 16V K | 1 | |
| | C81 | CK73GXR0J106M | C CAPACITOR | 10uF 6.3V M | 1 | |
| | C82 | CK73GXR0J106M | C CAPACITOR | 10uF 6.3V M | 1 | |
| | C101 | CK730BF1E475K | C CAPACITOR | 4.7uF 25V K | 1 | |
| | C102 | CK73GXR0J475K | C CAPACITOR | 4.7uF 6.3V K | 1 | |
| | C105 | CK73GBB1A105K | C CAPACITOR | 1uF 10V K | 1 | |
| | C106 | CK73HXR0J105K | C CAPACITOR | 1uF 6.3V K | 1 | |
| | C107 | CK730BF1E475K | C CAPACITOR | 4.7uF 25V K | 1 | |
| | C108 | CK73GXR0J475K | C CAPACITOR | 4.7uF 6.3V K | 1 | |
| | C109 | CK73GBB1A105K | C CAPACITOR | 1uF 10V K | 1 | |
| | C110 | CK73GBB1A105K | C CAPACITOR | 1uF 10V K | 1 | |
| | C111 | CK73GBB1A105K | C CAPACITOR | 1uF 10V K | 1 | |
| | C112 | CK73GBB1A105K | C CAPACITOR | 1uF 10V K | 1 | |
| | C113 | CK73FXR1C106K | C CAPACITOR | 10uF 16V K | 1 | |
| | C115 | CK73FXR1C106K | C CAPACITOR | 10uF 16V K | 1 | |

| | | | | | | | |
|------------|------|------------|------|------------|------|------------|------|
| MODEL | MARK | MODEL | MARK | MODEL | MARK | MODEL | MARK |
| DNX4150BT | E4 | DNX4150BT | M1 | DNX4150BT | R2 | DNX4150BT | X2 |
| DNX4150BTM | M2 | DNX4150BTR | Q1 | DNX4150DAB | E3 | DNX4150DAB | X1 |
| DNX572BH | K3 | DNX692 | K2 | | | | |

| Safe | Symbol No. | Parts No. | Parts Name | Description | QTY | Local |
|------|------------|---------------|-------------|--------------|-----|-------------------|
| | C116 | CK73FXR0J226M | C CAPACITOR | 22uF 6.3V M | 1 | |
| | C117 | CK73GGB1A105K | C CAPACITOR | 1uF 10V K | 1 | |
| | C118 | CK73GGB1A105K | C CAPACITOR | 1uF 10V K | 1 | |
| | C142 | CK73EXR1E106K | C CAPACITOR | 10uF 25V K | 1 | |
| | C143 | CK73GXR0J106M | C CAPACITOR | 10uF 6.3V M | 1 | |
| | C153 | CK73HXR0J105K | C CAPACITOR | 1uF 6.3V K | 1 | X2,X1 |
| | C154 | CK73HBB1E103K | C CAPACITOR | 0.01uF 25V K | 1 | |
| | C155 | CK73HXR0J105K | C CAPACITOR | 1uF 6.3V K | 1 | X2,X1 |
| | C171 | CK73GGB1A105K | C CAPACITOR | 1uF 10V K | 1 | |
| | C172 | CK73HXR0J105K | C CAPACITOR | 1uF 6.3V K | 1 | |
| | C173 | CK73GXR0J106M | C CAPACITOR | 10uF 6.3V M | 1 | |
| | C174 | CK73HBB1A104K | C CAPACITOR | 0.1uF 10V K | 1 | |
| | C175 | CK73HXR0J105K | C CAPACITOR | 1uF 6.3V K | 1 | |
| | C176 | CK73HXR0J105K | C CAPACITOR | 1uF 6.3V K | 1 | |
| | C177 | CK73GGB1A105K | C CAPACITOR | 1uF 10V K | 1 | |
| | C178 | CK73GGB1A105K | C CAPACITOR | 1uF 10V K | 1 | |
| | C179 | CK73GGB1A105K | C CAPACITOR | 1uF 10V K | 1 | |
| | C180 | CK73GGB1A105K | C CAPACITOR | 1uF 10V K | 1 | |
| | C181 | CC73HCH1H470J | C CAPACITOR | 47pF 50V J | 1 | |
| | C182 | CC73HCH1H470J | C CAPACITOR | 47pF 50V J | 1 | |
| | C185 | CK73HBB1A104K | C CAPACITOR | 0.1uF 10V K | 1 | |
| | C186 | CC73HCH1H470J | C CAPACITOR | 47pF 50V J | 1 | |
| | C187 | CC73HCH1H470J | C CAPACITOR | 47pF 50V J | 1 | |
| | C188 | CK73FXR1C106K | C CAPACITOR | 10uF 16V K | 1 | |
| | C190 | CK73HXR0J105K | C CAPACITOR | 1uF 6.3V K | 1 | |
| | C191 | CK73GGB1A105K | C CAPACITOR | 1uF 10V K | 1 | |
| | C201 | CK73HBB1A104K | C CAPACITOR | 0.1uF 10V K | 1 | |
| | C202 | CK73HBB1A104K | C CAPACITOR | 0.1uF 10V K | 1 | |
| | C203 | CK73FXR1C106K | C CAPACITOR | 10uF 16V K | 1 | |
| | C204 | CK73FXR1C106K | C CAPACITOR | 10uF 16V K | 1 | |
| | C205 | CK73HBB1A104K | C CAPACITOR | 0.1uF 10V K | 1 | |
| | C206 | CK73HBB1E103K | C CAPACITOR | 0.01uF 25V K | 1 | |
| | C207 | CK73HBB1E103K | C CAPACITOR | 0.01uF 25V K | 1 | |
| | C208 | CK73HBB1E103K | C CAPACITOR | 0.01uF 25V K | 1 | |
| | C209 | CK73HBB1E103K | C CAPACITOR | 0.01uF 25V K | 1 | |
| | C213 | CK73HBB1H222K | C CAPACITOR | 2200pF 50V K | 1 | |
| | C214 | CK73HBB1H222K | C CAPACITOR | 2200pF 50V K | 1 | |
| | C215 | CK73HBB1H222K | C CAPACITOR | 2200pF 50V K | 1 | |
| | C216 | CK73HBB1H222K | C CAPACITOR | 2200pF 50V K | 1 | |
| | C217 | CK73HBB1A104K | C CAPACITOR | 0.1uF 10V K | 1 | |
| | C218 | CK73GXR0J106M | C CAPACITOR | 10uF 6.3V M | 1 | |
| | C219 | CK73GXR0J106M | C CAPACITOR | 10uF 6.3V M | 1 | |
| | C251 | CK73GGB1A105K | C CAPACITOR | 1uF 10V K | 1 | R2,K3,K2 |
| | C252 | CK73GGB1A105K | C CAPACITOR | 1uF 10V K | 1 | R2,K3,K2 |
| | C253 | CK73GGB1A105K | C CAPACITOR | 1uF 10V K | 1 | R2,K3,K2 |
| | C254 | CK73GGB1H103K | C CAPACITOR | 0.01uF 50V K | 1 | R2,K3,K2 |
| | C255 | CK73HXR0J105K | C CAPACITOR | 1uF 6.3V K | 1 | E4,M1,X2,M2,E3,X1 |
| | C321 | CK73GGB0J225K | C CAPACITOR | 2.2uF 6.3V K | 1 | |
| | C331 | CK73HBB1E103K | C CAPACITOR | 0.01uF 25V K | 1 | |
| | C401 | CK73GGB1A105K | C CAPACITOR | 1uF 10V K | 1 | |
| | C402 | CK73FXR1C106K | C CAPACITOR | 10uF 16V K | 1 | |
| | C404 | CC73HCH1H471J | C CAPACITOR | 470pF 50V J | 1 | |
| | C405 | CK73HBB1A104K | C CAPACITOR | 0.1uF 10V K | 1 | |
| | C406 | CK73HBB1E103K | C CAPACITOR | 0.01uF 25V K | 1 | |
| | C411 | CK73HBB1A104K | C CAPACITOR | 0.1uF 10V K | 1 | |
| | C412 | CK73HBB1E103K | C CAPACITOR | 0.01uF 25V K | 1 | |
| | C413 | CK73HBB1E103K | C CAPACITOR | 0.01uF 25V K | 1 | |
| | C414 | CK73HBB1A104K | C CAPACITOR | 0.1uF 10V K | 1 | |
| | C501 | NEZ0065-227X | E CAPACITOR | 220uF | 1 | |
| | C502 | NEZ0065-227X | E CAPACITOR | 220uF | 1 | |
| | C503 | CK73GXR0J106M | C CAPACITOR | 10uF 6.3V M | 1 | |
| | C504 | CK73HBB1H222K | C CAPACITOR | 2200pF 50V K | 1 | |
| | C505 | CK73HXR0J105K | C CAPACITOR | 1uF 6.3V K | 1 | |
| | C506 | CK73HXR0J105K | C CAPACITOR | 1uF 6.3V K | 1 | |
| | C507 | CC73HCH1H220J | C CAPACITOR | 22pF 50V J | 1 | |
| | C508 | CC73HCH1H220J | C CAPACITOR | 22pF 50V J | 1 | |
| | C509 | CC73HCH1H180J | C CAPACITOR | 18pF 50V J | 1 | |
| | C510 | CC73HCH1H060D | C CAPACITOR | 6pF 50V D | 1 | |
| | C511 | CK73HBB1A104K | C CAPACITOR | 0.1uF 10V K | 1 | |
| | C512 | CK73HBB1A104K | C CAPACITOR | 0.1uF 10V K | 1 | |
| | C513 | CK73HXR0J105K | C CAPACITOR | 1uF 6.3V K | 1 | |
| | C514 | CK73HBB1A104K | C CAPACITOR | 0.1uF 10V K | 1 | |
| | C515 | CK73HBB1A104K | C CAPACITOR | 0.1uF 10V K | 1 | |
| | C516 | CK73HBB1A104K | C CAPACITOR | 0.1uF 10V K | 1 | |
| | C517 | CK73HBB1A104K | C CAPACITOR | 0.1uF 10V K | 1 | |
| | C535 | CK73HBB1E103K | C CAPACITOR | 0.01uF 25V K | 1 | R2,K3,K2 |
| | C536 | CK73HBB1E103K | C CAPACITOR | 0.01uF 25V K | 1 | R2,K3,K2 |
| | C541 | CK73HBB1E103K | C CAPACITOR | 0.01uF 25V K | 1 | |
| | C565 | CK73HBB1E103K | C CAPACITOR | 0.01uF 25V K | 1 | |
| | C566 | CK73HBB1E103K | C CAPACITOR | 0.01uF 25V K | 1 | E4,M1,X2,M2,E3,X1 |
| | C567 | CK73HBB1E103K | C CAPACITOR | 0.01uF 25V K | 1 | E4,M1,X2,M2,E3,X1 |
| | C571 | CK73HBB1E103K | C CAPACITOR | 0.01uF 25V K | 1 | |
| | C572 | CK73HBB1A104K | C CAPACITOR | 0.1uF 10V K | 1 | |
| | C573 | CK73HBB1E103K | C CAPACITOR | 0.01uF 25V K | 1 | |
| | C574 | CK73HBB1E103K | C CAPACITOR | 0.01uF 25V K | 1 | |
| | C576 | CK73HBB1E103K | C CAPACITOR | 0.01uF 25V K | 1 | |
| | C611 | CK73HBB1E103K | C CAPACITOR | 0.01uF 25V K | 1 | |
| | C612 | CK73HBB1E103K | C CAPACITOR | 0.01uF 25V K | 1 | |

| MODEL | MARK | MODEL | MARK | MODEL | MARK | MODEL | MARK |
|------------|------|------------|------|------------|------|------------|------|
| DNX4150BT | E4 | DNX4150BT | M1 | DNX4150BT | R2 | DNX4150BT | X2 |
| DNX4150BTM | M2 | DNX4150BTR | Q1 | DNX4150DAB | E3 | DNX4150DAB | X1 |
| DNX572BH | K3 | DNX692 | K2 | | | | |

| Safe | Symbol No. | Parts No. | Parts Name | Description | QTY | Local |
|------|------------|---------------|-------------|---------------|-----|-------------------------|
| | C613 | CK73HBB1E103K | C CAPACITOR | 0.01uF 25V K | 1 | |
| | C614 | CK73HBB1E103K | C CAPACITOR | 0.01uF 25V K | 1 | |
| | C615 | CK73HBB1E103K | C CAPACITOR | 0.01uF 25V K | 1 | |
| | C641 | CK73HBB1C473K | C CAPACITOR | 0.047uF 16V K | 1 | |
| | C642 | CK73HBB1E103K | C CAPACITOR | 0.01uF 25V K | 1 | |
| | C701 | CK73HBB1E103K | C CAPACITOR | 0.01uF 25V K | 1 | |
| | C702 | CK73HBB1A104K | C CAPACITOR | 0.1uF 10V K | 1 | |
| | C703 | CK73HBB1A104K | C CAPACITOR | 0.1uF 10V K | 1 | |
| | C704 | CK73HBB1A104K | C CAPACITOR | 0.1uF 10V K | 1 | |
| | C705 | CK73HBB1A104K | C CAPACITOR | 0.1uF 10V K | 1 | |
| | C706 | CK73GXR0J106M | C CAPACITOR | 10uF 6.3V M | 1 | |
| | C709 | NEZ0065-227X | E CAPACITOR | 220uF | 1 | K2 |
| | C710 | CK73FXR1C106K | C CAPACITOR | 10uF 16V K | 1 | K2 |
| | C711 | NEZ0065-227X | E CAPACITOR | 220uF | 1 | |
| | C712 | CK73FXR1C106K | C CAPACITOR | 10uF 16V K | 1 | |
| | C713 | CK73HBB1A104K | C CAPACITOR | 0.1uF 10V K | 1 | |
| | C714 | CK73FXR1C106K | C CAPACITOR | 10uF 16V K | 1 | |
| | C715 | CK73HBB1A104K | C CAPACITOR | 0.1uF 10V K | 1 | |
| | C716 | CK73HBB1A104K | C CAPACITOR | 0.1uF 10V K | 1 | |
| | C719 | CK73HBB1E103K | C CAPACITOR | 0.01uF 25V K | 1 | |
| | C720 | CK73HBB1A104K | C CAPACITOR | 0.1uF 10V K | 1 | |
| | C722 | CK73HBB1A104K | C CAPACITOR | 0.1uF 10V K | 1 | |
| | C723 | CK73GXR0J106M | C CAPACITOR | 10uF 6.3V M | 1 | |
| | C725 | CK73HBB1H102K | C CAPACITOR | 1000pF 50V K | 1 | |
| | C726 | CK73HBB1A104K | C CAPACITOR | 0.1uF 10V K | 1 | |
| | C727 | CK73HBB1A104K | C CAPACITOR | 0.1uF 10V K | 1 | |
| | C728 | CK73GXR0J106M | C CAPACITOR | 10uF 6.3V M | 1 | |
| | C729 | CK73GXR0J106M | C CAPACITOR | 10uF 6.3V M | 1 | |
| | C730 | CK73GXR0J106M | C CAPACITOR | 10uF 6.3V M | 1 | |
| | C731 | CK73GXR0J106M | C CAPACITOR | 10uF 6.3V M | 1 | |
| | C732 | CK73GBB1A105K | C CAPACITOR | 1uF 10V K | 1 | |
| | C733 | CK73HBB1C473K | C CAPACITOR | 0.047uF 16V K | 1 | |
| | C734 | CK73HBB1H222K | C CAPACITOR | 2200pF 50V K | 1 | |
| | C735 | CK73HBB1H222K | C CAPACITOR | 2200pF 50V K | 1 | |
| | C736 | CK73HBB1H222K | C CAPACITOR | 2200pF 50V K | 1 | |
| | C737 | CK73HBB1H222K | C CAPACITOR | 2200pF 50V K | 1 | |
| | C738 | CK73HBB1A104K | C CAPACITOR | 0.1uF 10V K | 1 | |
| | C751 | CK73GXR0J106M | C CAPACITOR | 10uF 6.3V M | 1 | |
| | C752 | CK73HBB1E103K | C CAPACITOR | 0.01uF 25V K | 1 | |
| | C753 | CC73HCH1H102J | C CAPACITOR | 1000pF 50V J | 1 | |
| | C754 | CE32CA1C100M | E CAPACITOR | 10uF 16V M | 1 | |
| | C755 | CK73HBB1E103K | C CAPACITOR | 0.01uF 25V K | 1 | |
| | C756 | CE32CA1C100M | E CAPACITOR | 10uF 16V M | 1 | |
| | C758 | CK73GXR0J106M | C CAPACITOR | 10uF 6.3V M | 1 | |
| | C761 | CK73HBB1A104K | C CAPACITOR | 0.1uF 10V K | 1 | |
| | C762 | CK73HBB1E103K | C CAPACITOR | 0.01uF 25V K | 1 | |
| | C763 | CE32CA1C101M | E CAPACITOR | 100uF 16V M | 1 | |
| | C765 | CK73FXR0J226M | C CAPACITOR | 22uF 6.3V M | 1 | |
| | C785 | CK73HBB1H102K | C CAPACITOR | 1000pF 50V K | 1 | |
| | C786 | CK73HBB1H102K | C CAPACITOR | 1000pF 50V K | 1 | |
| | C821 | CK73GXR0J106M | C CAPACITOR | 10uF 6.3V M | 1 | |
| | C831 | CK73HBB1E103K | C CAPACITOR | 0.01uF 25V K | 1 | E4,M1,R2,X2,M2,Q1,E3,X1 |
| | C832 | CK73FXR0J226M | C CAPACITOR | 22uF 6.3V M | 1 | |
| | C833 | CK73GBB1C224K | C CAPACITOR | 0.22uF 16V K | 1 | |
| | C834 | CK73HBB1A104K | C CAPACITOR | 0.1uF 10V K | 1 | |
| | C835 | CC73HCH1H070D | C CAPACITOR | 7pF 50V D | 1 | |
| | C877 | CK73FXR0J226M | C CAPACITOR | 22uF 6.3V M | 1 | |
| | C879 | CK73HXR0J105K | C CAPACITOR | 1uF 6.3V K | 1 | |
| | C880 | CK73HXR0J105K | C CAPACITOR | 1uF 6.3V K | 1 | |
| | C881 | CK73HXR0J105K | C CAPACITOR | 1uF 6.3V K | 1 | |
| | C882 | CK73HXR0J105K | C CAPACITOR | 1uF 6.3V K | 1 | |
| | C884 | CK73HXR0J105K | C CAPACITOR | 1uF 6.3V K | 1 | |
| | C886 | CK73HXR0J105K | C CAPACITOR | 1uF 6.3V K | 1 | E4,M1,R2,X2,M2,Q1,E3,X1 |
| | C887 | CK73HXR0J105K | C CAPACITOR | 1uF 6.3V K | 1 | |
| | C888 | CK73HXR0J105K | C CAPACITOR | 1uF 6.3V K | 1 | |
| | C889 | CK73HXR0J105K | C CAPACITOR | 1uF 6.3V K | 1 | |
| | C890 | CK73HBB1A104K | C CAPACITOR | 0.1uF 10V K | 1 | |
| | C891 | CK73HXR0J105K | C CAPACITOR | 1uF 6.3V K | 1 | |
| | C892 | CK73EXR0J476M | C CAPACITOR | 47uF 6.3V M | 1 | |
| | C893 | CK73HBB1A104K | C CAPACITOR | 0.1uF 10V K | 1 | |
| | C895 | CK73HXR0J105K | C CAPACITOR | 1uF 6.3V K | 1 | |
| | C896 | CK73HXR0J105K | C CAPACITOR | 1uF 6.3V K | 1 | K3,K2 |
| | C897 | CK73FXR0J226M | C CAPACITOR | 22uF 6.3V M | 1 | |
| | C901 | CK73HXR0J105K | C CAPACITOR | 1uF 6.3V K | 1 | |
| | C902 | CK73HXR0J105K | C CAPACITOR | 1uF 6.3V K | 1 | |
| | C903 | CK73HXR0J105K | C CAPACITOR | 1uF 6.3V K | 1 | |
| | C904 | CK73HXR0J105K | C CAPACITOR | 1uF 6.3V K | 1 | |
| | C905 | CK73HBB1A104K | C CAPACITOR | 0.1uF 10V K | 1 | |
| | C906 | CK73GXR0J106M | C CAPACITOR | 10uF 6.3V M | 1 | |
| | C907 | CK73HXR0J105K | C CAPACITOR | 1uF 6.3V K | 1 | |
| | C908 | CK73HXR0J105K | C CAPACITOR | 1uF 6.3V K | 1 | |
| | C909 | CK73HXR0J105K | C CAPACITOR | 1uF 6.3V K | 1 | |
| | C910 | CK73HXR0J105K | C CAPACITOR | 1uF 6.3V K | 1 | |
| | C912 | CK73GXR0J106M | C CAPACITOR | 10uF 6.3V M | 1 | |
| | C913 | CK73HBB1A104K | C CAPACITOR | 0.1uF 10V K | 1 | |
| | C923 | CC73HCH1H470J | C CAPACITOR | 47pF 50V J | 1 | |
| | C924 | NDCA1HG-2R7W | C CAPACITOR | 2.7pF 50V G | 1 | |
| | C925 | CK73HXR0J105K | C CAPACITOR | 1uF 6.3V K | 1 | |
| | C926 | CK73GBB1A105K | C CAPACITOR | 1uF 10V K | 1 | |

| MODEL | MARK | MODEL | MARK | MODEL | MARK | MODEL | MARK |
|------------|------|------------|------|------------|------|------------|------|
| DNX4150BT | E4 | DNX4150BT | M1 | DNX4150BT | R2 | DNX4150BT | X2 |
| DNX4150BTM | M2 | DNX4150BTR | Q1 | DNX4150DAB | E3 | DNX4150DAB | X1 |
| DNX572BH | K3 | DNX692 | K2 | | | | |

| Safe | Symbol No. | Parts No. | Parts Name | Description | QTY | Local |
|------|------------|---------------|-------------|---------------|-----|-------|
| | C927 | CK73HXR0J105K | C CAPACITOR | 1uF 6.3V K | 1 | |
| | C928 | CK73HBB1E103K | C CAPACITOR | 0.01uF 25V K | 1 | |
| | C929 | CC73HCH1H102J | C CAPACITOR | 1000pF 50V J | 1 | |
| | C930 | CC73HCH1H100D | C CAPACITOR | 10pF 50V D | 1 | |
| | C931 | CK73GBB0J225K | C CAPACITOR | 2.2uF 6.3V K | 1 | |
| | C932 | CK73HXR0J105K | C CAPACITOR | 1uF 6.3V K | 1 | |
| | C933 | CK73HXR0J105K | C CAPACITOR | 1uF 6.3V K | 1 | |
| | C934 | CK73HXR0J105K | C CAPACITOR | 1uF 6.3V K | 1 | |
| | C935 | CK73HBB1H102K | C CAPACITOR | 1000pF 50V K | 1 | |
| | C936 | CC73HCH1H070D | C CAPACITOR | 7pF 50V D | 1 | |
| | C937 | CC73HCH1H070D | C CAPACITOR | 7pF 50V D | 1 | |
| | C939 | CC73HCH1H020C | C CAPACITOR | 2pF 50V C | 1 | |
| | C940 | CK73HXR0J105K | C CAPACITOR | 1uF 6.3V K | 1 | |
| | R12 | RK73HB1J154J | MG RESISTOR | 150kΩ 1/16W J | 1 | |
| | R13 | RK73HH1J184D | MG RESISTOR | 180kΩ 1/16W D | 1 | |
| | R14 | RK73HB1J000J | MG RESISTOR | 0Ω 1/16W J | 1 | |
| | R15 | RK73HH1J134D | MG RESISTOR | 130kΩ 1/16W D | 1 | |
| | R16 | RK73HH1J564D | MG RESISTOR | 560kΩ 1/16W D | 1 | |
| | R17 | RK73HB1J474J | MG RESISTOR | 470kΩ 1/16W J | 1 | |
| | R18 | RK73HB1J000J | MG RESISTOR | 0Ω 1/16W J | 1 | |
| | R19 | RK73HB1J272J | MG RESISTOR | 2.7kΩ 1/16W J | 1 | |
| | R21 | RK73HB1J000J | MG RESISTOR | 0Ω 1/16W J | 1 | |
| | R22 | RK73HB1J000J | MG RESISTOR | 0Ω 1/16W J | 1 | |
| | R24 | NRZ0126-R033X | MG RESISTOR | 0.033Ω 1/3W J | 1 | |
| | R25 | NRZ0126-R033X | MG RESISTOR | 0.033Ω 1/3W J | 1 | |
| | R31 | NRZ0126-R033X | MG RESISTOR | 0.033Ω 1/3W J | 1 | |
| | R32 | NRZ0126-R033X | MG RESISTOR | 0.033Ω 1/3W J | 1 | |
| | R33 | NRZ0126-R033X | MG RESISTOR | 0.033Ω 1/3W J | 1 | |
| | R34 | NRZ0126-R033X | MG RESISTOR | 0.033Ω 1/3W J | 1 | |
| | R35 | RK73HB1J000J | MG RESISTOR | 0Ω 1/16W J | 1 | |
| | R36 | RK73PB2H160J | MG RESISTOR | 16Ω 1/2W J | 1 | |
| | R37 | RK73HH1J303D | MG RESISTOR | 30kΩ 1/16W D | 1 | |
| | R38 | RK73HB1J103J | MG RESISTOR | 10kΩ 1/16W J | 1 | |
| | R39 | RK73HH1J562D | MG RESISTOR | 5.6kΩ 1/16W D | 1 | |
| | R40 | RK73HH1J621D | MG RESISTOR | 620Ω 1/16W D | 1 | |
| | R41 | RK73HB1J182J | MG RESISTOR | 1.8kΩ 1/16W J | 1 | |
| | R51 | NRZ0126-R033X | MG RESISTOR | 0.033Ω 1/3W J | 1 | |
| | R52 | NRZ0126-R033X | MG RESISTOR | 0.033Ω 1/3W J | 1 | |
| | R53 | NRZ0126-R033X | MG RESISTOR | 0.033Ω 1/3W J | 1 | |
| | R54 | NRZ0126-R033X | MG RESISTOR | 0.033Ω 1/3W J | 1 | |
| | R55 | RK73HB1J000J | MG RESISTOR | 0Ω 1/16W J | 1 | |
| | R56 | RK73PB2H160J | MG RESISTOR | 16Ω 1/2W J | 1 | |
| | R57 | RK73HH1J303D | MG RESISTOR | 30kΩ 1/16W D | 1 | |
| | R58 | RK73HB1J103J | MG RESISTOR | 10kΩ 1/16W J | 1 | |
| | R59 | RK73HH1J682D | MG RESISTOR | 6.8kΩ 1/16W D | 1 | |
| | R60 | RK73HH1J511D | MG RESISTOR | 510Ω 1/16W D | 1 | |
| | R61 | RK73HB1J182J | MG RESISTOR | 1.8kΩ 1/16W J | 1 | |
| | R62 | RK73HB1J100J | MG RESISTOR | 10Ω 1/16W J | 1 | |
| | R71 | RK73GB2A2R2J | MG RESISTOR | 2.2Ω 1/10W J | 1 | |
| | R72 | RK73HH1J164D | MG RESISTOR | 160kΩ 1/16W D | 1 | |
| | R73 | RK73HH1J273D | MG RESISTOR | 27kΩ 1/16W D | 1 | |
| | R74 | RK73HB1J000J | MG RESISTOR | 0Ω 1/16W J | 1 | |
| | R75 | RK73HB1J000J | MG RESISTOR | 0Ω 1/16W J | 1 | |
| | R76 | RK73HB1J000J | MG RESISTOR | 0Ω 1/16W J | 1 | |
| | R77 | RK73HB1J000J | MG RESISTOR | 0Ω 1/16W J | 1 | |
| | R81 | RK73HB1J473J | MG RESISTOR | 47kΩ 1/16W J | 1 | |
| | R82 | RK73HH1J822D | MG RESISTOR | 8.2kΩ 1/16W D | 1 | |
| | R83 | RK73HB1J000J | MG RESISTOR | 0Ω 1/16W J | 1 | |
| | R84 | RK73HH1J622D | MG RESISTOR | 6.2kΩ 1/16W D | 1 | |
| | R101 | RK73GB2A000J | MG RESISTOR | 0Ω 1/10W J | 1 | K2 |
| | R102 | RK73GB2A000J | MG RESISTOR | 0Ω 1/10W J | 1 | |
| | R103 | RK73GB2A000J | MG RESISTOR | 0Ω 1/10W J | 1 | |
| | R104 | RK73GB2A000J | MG RESISTOR | 0Ω 1/10W J | 1 | |
| | R105 | RK73GB2A000J | MG RESISTOR | 0Ω 1/10W J | 1 | |
| | R106 | RK73GB2A000J | MG RESISTOR | 0Ω 1/10W J | 1 | |
| | R107 | RK73GB2A000J | MG RESISTOR | 0Ω 1/10W J | 1 | |
| | R108 | RK73GB2A000J | MG RESISTOR | 0Ω 1/10W J | 1 | |
| | R109 | RK73GB2A000J | MG RESISTOR | 0Ω 1/10W J | 1 | |
| | R110 | RK73GB2A000J | MG RESISTOR | 0Ω 1/10W J | 1 | |
| | R111 | RK73GB2A000J | MG RESISTOR | 0Ω 1/10W J | 1 | |
| | R112 | RK73GB2A000J | MG RESISTOR | 0Ω 1/10W J | 1 | |
| | R113 | RK73GB2A000J | MG RESISTOR | 0Ω 1/10W J | 1 | |
| | R114 | RK73GB2A000J | MG RESISTOR | 0Ω 1/10W J | 1 | |
| | R117 | RK73HB1J000J | MG RESISTOR | 0Ω 1/16W J | 1 | |
| | R119 | RK73HB1J104J | MG RESISTOR | 100kΩ 1/16W J | 1 | |
| | R120 | RK73HB1J473J | MG RESISTOR | 47kΩ 1/16W J | 1 | |
| | R121 | RK73HH1J104D | MG RESISTOR | 100kΩ 1/16W D | 1 | |
| | R122 | RK73HH1J513D | MG RESISTOR | 51kΩ 1/16W D | 1 | |
| | R123 | RK73HH1J333D | MG RESISTOR | 33kΩ 1/16W D | 1 | |
| | R124 | RK73HB1J224J | MG RESISTOR | 220kΩ 1/16W J | 1 | |
| | R125 | RK73HB1J224J | MG RESISTOR | 220kΩ 1/16W J | 1 | |
| | R126 | RK73HH1J822D | MG RESISTOR | 8.2kΩ 1/16W D | 1 | |
| | R127 | RK73HH1J104D | MG RESISTOR | 100kΩ 1/16W D | 1 | |
| | R128 | RK73HH1J244D | MG RESISTOR | 240kΩ 1/16W D | 1 | |
| | R129 | RK73HB1J224J | MG RESISTOR | 220kΩ 1/16W J | 1 | |
| | R130 | RK73HB1J224J | MG RESISTOR | 220kΩ 1/16W J | 1 | |
| | R131 | RK73HH1J304D | MG RESISTOR | 300kΩ 1/16W D | 1 | |
| | R132 | RK73HH1J304D | MG RESISTOR | 300kΩ 1/16W D | 1 | |
| | R133 | RK73HH1J822D | MG RESISTOR | 8.2kΩ 1/16W D | 1 | |
| | R134 | RK73HH1J104D | MG RESISTOR | 100kΩ 1/16W D | 1 | |
| | R135 | RK73HH1J683D | MG RESISTOR | 68kΩ 1/16W D | 1 | |

| | | | | | | | |
|------------|------|------------|------|------------|------|------------|------|
| MODEL | MARK | MODEL | MARK | MODEL | MARK | MODEL | MARK |
| DNX4150BT | E4 | DNX4150BT | M1 | DNX4150BT | R2 | DNX4150BT | X2 |
| DNX4150BTM | M2 | DNX4150BTR | Q1 | DNX4150DAB | E3 | DNX4150DAB | X1 |
| DNX572BH | K3 | DNX692 | K2 | | | | |

| Safe | Symbol No. | Parts No. | Parts Name | Description | QTY | Local |
|------|------------|--------------|-------------|---------------|-----|-------------------|
| | R136 | RK73HB1J224J | MG RESISTOR | 220kΩ 1/16W J | 1 | |
| | R137 | RK73HB1J224J | MG RESISTOR | 220kΩ 1/16W J | 1 | |
| | R142 | RK73HH1J752D | MG RESISTOR | 7.5kΩ 1/16W D | 1 | |
| | R143 | RK73HB1J000J | MG RESISTOR | 0Ω 1/16W J | 1 | |
| | R144 | RK73HH1J333D | MG RESISTOR | 33kΩ 1/16W D | 1 | |
| | R146 | RK73GB2A000J | MG RESISTOR | 0Ω 1/10W J | 1 | |
| | R147 | RK73GB2A000J | MG RESISTOR | 0Ω 1/10W J | 1 | |
| | R148 | RK73GB2A000J | MG RESISTOR | 0Ω 1/10W J | 1 | |
| | R150 | RK73GB2A000J | MG RESISTOR | 0Ω 1/10W J | 1 | |
| | R158 | RK73GB2A000J | MG RESISTOR | 0Ω 1/10W J | 1 | |
| | R160 | RK73GB2A000J | MG RESISTOR | 0Ω 1/10W J | 1 | |
| | R161 | RK73HB1J000J | MG RESISTOR | 0Ω 1/16W J | 1 | |
| | R164 | RK73GB2A000J | MG RESISTOR | 0Ω 1/10W J | 1 | |
| | R169 | RK73GB2A000J | MG RESISTOR | 0Ω 1/10W J | 1 | X2,X1 |
| | R170 | RK73GB2A000J | MG RESISTOR | 0Ω 1/10W J | 1 | X2,X1 |
| | R173 | RK73HB1J000J | MG RESISTOR | 0Ω 1/16W J | 1 | |
| | R174 | RK73HB1J000J | MG RESISTOR | 0Ω 1/16W J | 1 | |
| | R175 | RK73HB1J000J | MG RESISTOR | 0Ω 1/16W J | 1 | |
| | R176 | RK73HB1J000J | MG RESISTOR | 0Ω 1/16W J | 1 | |
| | R177 | RK73HB1J472J | MG RESISTOR | 4.7kΩ 1/16W J | 1 | |
| | R178 | RK73HB1J472J | MG RESISTOR | 4.7kΩ 1/16W J | 1 | |
| | R179 | RK73HB1J330J | MG RESISTOR | 33Ω 1/16W J | 1 | |
| | R180 | RK73HB1J330J | MG RESISTOR | 33Ω 1/16W J | 1 | |
| | R181 | RK73HB1J330J | MG RESISTOR | 33Ω 1/16W J | 1 | |
| | R182 | RK73HB1J330J | MG RESISTOR | 33Ω 1/16W J | 1 | |
| | R183 | RK73HB1J330J | MG RESISTOR | 33Ω 1/16W J | 1 | |
| | R184 | RK73HB1J472J | MG RESISTOR | 4.7kΩ 1/16W J | 1 | |
| | R185 | RK73HB1J222J | MG RESISTOR | 2.2kΩ 1/16W J | 1 | |
| | R186 | RK73HB1J222J | MG RESISTOR | 2.2kΩ 1/16W J | 1 | |
| | R187 | RK73HB1J223J | MG RESISTOR | 22kΩ 1/16W J | 1 | |
| | R188 | RK73HB1J223J | MG RESISTOR | 22kΩ 1/16W J | 1 | |
| | R189 | RK73HB1J223J | MG RESISTOR | 22kΩ 1/16W J | 1 | |
| | R190 | RK73HB1J223J | MG RESISTOR | 22kΩ 1/16W J | 1 | |
| | R191 | RK73HB1J223J | MG RESISTOR | 22kΩ 1/16W J | 1 | |
| | R192 | RK73HB1J223J | MG RESISTOR | 22kΩ 1/16W J | 1 | |
| | R193 | RK73HB1J223J | MG RESISTOR | 22kΩ 1/16W J | 1 | |
| | R194 | RK73HB1J223J | MG RESISTOR | 22kΩ 1/16W J | 1 | |
| | R195 | RK73GB2A2R2J | MG RESISTOR | 2.2Ω 1/10W J | 1 | |
| | R196 | RK73HB1J222J | MG RESISTOR | 2.2kΩ 1/16W J | 1 | |
| | R197 | RK73HB1J222J | MG RESISTOR | 2.2kΩ 1/16W J | 1 | |
| | R202 | RK73HB1J473J | MG RESISTOR | 47kΩ 1/16W J | 1 | |
| | R203 | RK73HB1J473J | MG RESISTOR | 47kΩ 1/16W J | 1 | |
| | R205 | RK73HB1J000J | MG RESISTOR | 0Ω 1/16W J | 1 | |
| | R207 | RK73GB2A000J | MG RESISTOR | 0Ω 1/10W J | 1 | |
| | R211 | RK73HB1J473J | MG RESISTOR | 47kΩ 1/16W J | 1 | |
| | R212 | RK73HB1J473J | MG RESISTOR | 47kΩ 1/16W J | 1 | |
| | R213 | RK73HB1J000J | MG RESISTOR | 0Ω 1/16W J | 1 | |
| | R214 | RK73HB1J000J | MG RESISTOR | 0Ω 1/16W J | 1 | |
| | R215 | RK73HB1J221J | MG RESISTOR | 220Ω 1/16W J | 1 | |
| | R216 | RK73HB1J221J | MG RESISTOR | 220Ω 1/16W J | 1 | |
| | R217 | RK73HB1J221J | MG RESISTOR | 220Ω 1/16W J | 1 | |
| | R218 | RK73HB1J221J | MG RESISTOR | 220Ω 1/16W J | 1 | |
| | R219 | RK73GB2A2R2J | MG RESISTOR | 2.2Ω 1/10W J | 1 | |
| | R221 | RK73HB1J223J | MG RESISTOR | 22kΩ 1/16W J | 1 | |
| | R222 | RK73HB1J220J | MG RESISTOR | 22Ω 1/16W J | 1 | |
| | R223 | RK73HB1J220J | MG RESISTOR | 22Ω 1/16W J | 1 | |
| | R224 | RK73HB1J220J | MG RESISTOR | 22Ω 1/16W J | 1 | |
| | R226 | RK73HB1J220J | MG RESISTOR | 22Ω 1/16W J | 1 | |
| | R227 | RK73HB1J220J | MG RESISTOR | 22Ω 1/16W J | 1 | |
| | R228 | RK73HB1J223J | MG RESISTOR | 22kΩ 1/16W J | 1 | |
| | R229 | RK73HB1J272J | MG RESISTOR | 2.7kΩ 1/16W J | 1 | |
| | R238 | RK73HB1J272J | MG RESISTOR | 2.7kΩ 1/16W J | 1 | |
| | R251 | RK73HB1J100J | MG RESISTOR | 10Ω 1/16W J | 1 | R2,K3,K2 |
| | R252 | RK73HB1J100J | MG RESISTOR | 10Ω 1/16W J | 1 | R2,K3,K2 |
| | R253 | RK73HB1J200J | MG RESISTOR | 20Ω 1/16W J | 1 | R2,K3,K2 |
| | R254 | RK73HB1J200J | MG RESISTOR | 20Ω 1/16W J | 1 | R2,K3,K2 |
| | R255 | RK73HB1J101J | MG RESISTOR | 100Ω 1/16W J | 1 | E4,E3 |
| | R256 | RK73HB1J101J | MG RESISTOR | 100Ω 1/16W J | 1 | M1,X2,M2,X1 |
| | R257 | RK73HB1J000J | MG RESISTOR | 0Ω 1/16W J | 1 | E4,M1,X2,M2,E3,X1 |
| | R258 | RK73HB1J220J | MG RESISTOR | 22Ω 1/16W J | 1 | R2,K3,K2 |
| | R259 | RK73HB1J220J | MG RESISTOR | 22Ω 1/16W J | 1 | R2,K3,K2 |
| | R271 | RK73HB1J101J | MG RESISTOR | 100Ω 1/16W J | 1 | |
| | R272 | RK73HB1J101J | MG RESISTOR | 100Ω 1/16W J | 1 | |
| | R273 | RK73HB1J101J | MG RESISTOR | 100Ω 1/16W J | 1 | |
| | R274 | RK73HB1J101J | MG RESISTOR | 100Ω 1/16W J | 1 | |
| | R321 | RK73HB1J471J | MG RESISTOR | 470Ω 1/16W J | 1 | |
| | R322 | RK73HB1J473J | MG RESISTOR | 47kΩ 1/16W J | 1 | |
| | R323 | RK73FB2B103J | MG RESISTOR | 10kΩ 1/8W J | 1 | |
| | R324 | RK73HB1J223J | MG RESISTOR | 22kΩ 1/16W J | 1 | |
| | R325 | RK73HB1J473J | MG RESISTOR | 47kΩ 1/16W J | 1 | |
| | R331 | RK73GB2A272J | MG RESISTOR | 2.7kΩ 1/10W J | 1 | |
| | R332 | RK73HB1J102J | MG RESISTOR | 1kΩ 1/16W J | 1 | |
| | R401 | RK73GB2A123J | MG RESISTOR | 12kΩ 1/10W J | 1 | |
| | R402 | RK73GB2A123J | MG RESISTOR | 12kΩ 1/10W J | 1 | |
| | R415 | RK73HB1J101J | MG RESISTOR | 100Ω 1/16W J | 1 | |
| | R416 | RK73HB1J470J | MG RESISTOR | 47Ω 1/16W J | 1 | |
| | R417 | RK73HB1J470J | MG RESISTOR | 47Ω 1/16W J | 1 | |
| | R418 | RK73HB1J100J | MG RESISTOR | 10Ω 1/16W J | 1 | |
| | R419 | RK73HB1J101J | MG RESISTOR | 100Ω 1/16W J | 1 | |
| | R422 | RK73HB1J101J | MG RESISTOR | 100Ω 1/16W J | 1 | |
| | R423 | RK73HB1J101J | MG RESISTOR | 100Ω 1/16W J | 1 | |
| | R424 | RK73HB1J101J | MG RESISTOR | 100Ω 1/16W J | 1 | |

| | | | | | | | |
|------------|------|------------|------|------------|------|------------|------|
| MODEL | MARK | MODEL | MARK | MODEL | MARK | MODEL | MARK |
| DNX4150BT | E4 | DNX4150BT | M1 | DNX4150BT | R2 | DNX4150BT | X2 |
| DNX4150BTM | M2 | DNX4150BTR | Q1 | DNX4150DAB | E3 | DNX4150DAB | X1 |
| DNX572BH | K3 | DNX692 | K2 | | | | |

| Safe | Symbol No. | Parts No. | Parts Name | Description | QTY | Local |
|------|------------|--------------|-------------|---------------|-----|-------------------|
| | R425 | RK73HB1J101J | MG RESISTOR | 100Ω 1/16W J | 1 | |
| | R426 | RK73HB1J101J | MG RESISTOR | 100Ω 1/16W J | 1 | |
| | R427 | RK73HB1J100J | MG RESISTOR | 10Ω 1/16W J | 1 | |
| | R428 | RK73HB1J100J | MG RESISTOR | 10Ω 1/16W J | 1 | |
| | R429 | RK73HB1J101J | MG RESISTOR | 100Ω 1/16W J | 1 | |
| | R430 | RK73HB1J101J | MG RESISTOR | 100Ω 1/16W J | 1 | |
| | R431 | RK73HB1J101J | MG RESISTOR | 100Ω 1/16W J | 1 | |
| | R437 | RK73HH1J510D | MG RESISTOR | 51Ω 1/16W D | 1 | |
| | R438 | RK73HH1J510D | MG RESISTOR | 51Ω 1/16W D | 1 | |
| | R439 | RK73HH1J510D | MG RESISTOR | 51Ω 1/16W D | 1 | |
| | R440 | RK73HH1J100D | MG RESISTOR | 10Ω 1/16W D | 1 | |
| | R441 | RK73HH1J100D | MG RESISTOR | 10Ω 1/16W D | 1 | |
| | R443 | RK73HB1J100J | MG RESISTOR | 10Ω 1/16W J | 1 | |
| | R448 | RK73HB1J101J | MG RESISTOR | 100Ω 1/16W J | 1 | |
| | R449 | RK73HB1J470J | MG RESISTOR | 47Ω 1/16W J | 1 | |
| | R453 | RK73HB1J470J | MG RESISTOR | 47Ω 1/16W J | 1 | |
| | R454 | RK73HB1J101J | MG RESISTOR | 100Ω 1/16W J | 1 | |
| | R456 | RK73HB1J101J | MG RESISTOR | 100Ω 1/16W J | 1 | |
| | R501 | RK73HB1J102J | MG RESISTOR | 1kΩ 1/16W J | 1 | |
| | R502 | RK73HB1J101J | MG RESISTOR | 100Ω 1/16W J | 1 | |
| | R503 | RK73HB1J473J | MG RESISTOR | 47kΩ 1/16W J | 1 | |
| | R504 | RK73HB1J101J | MG RESISTOR | 100Ω 1/16W J | 1 | |
| | R505 | RK73HB1J101J | MG RESISTOR | 100Ω 1/16W J | 1 | |
| | R506 | RK73HB1J101J | MG RESISTOR | 100Ω 1/16W J | 1 | |
| | R507 | RK73HB1J154J | MG RESISTOR | 150kΩ 1/16W J | 1 | |
| | R508 | RK73HB1J000J | MG RESISTOR | 0Ω 1/16W J | 1 | |
| | R509 | RK73HB1J471J | MG RESISTOR | 470Ω 1/16W J | 1 | |
| | R511 | RK73HB1J103J | MG RESISTOR | 10kΩ 1/16W J | 1 | |
| | R512 | RK73HB1J103J | MG RESISTOR | 10kΩ 1/16W J | 1 | |
| | R513 | RK73HB1J473J | MG RESISTOR | 47kΩ 1/16W J | 1 | |
| | R514 | RK73HB1J103J | MG RESISTOR | 10kΩ 1/16W J | 1 | |
| | R515 | RK73HB1J101J | MG RESISTOR | 100Ω 1/16W J | 1 | |
| | R516 | RK73HB1J473J | MG RESISTOR | 47kΩ 1/16W J | 1 | |
| | R517 | RK73HB1J473J | MG RESISTOR | 47kΩ 1/16W J | 1 | |
| | R518 | RK73HB1J101J | MG RESISTOR | 100Ω 1/16W J | 1 | |
| | R519 | RK73HB1J272J | MG RESISTOR | 2.7kΩ 1/16W J | 1 | |
| | R520 | RK73HB1J223J | MG RESISTOR | 22kΩ 1/16W J | 1 | |
| | R521 | RK73HB1J101J | MG RESISTOR | 100Ω 1/16W J | 1 | |
| | R522 | RK73HB1J101J | MG RESISTOR | 100Ω 1/16W J | 1 | |
| | R523 | RK73HB1J101J | MG RESISTOR | 100Ω 1/16W J | 1 | |
| | R524 | RK73HB1J000J | MG RESISTOR | 0Ω 1/16W J | 1 | |
| | R525 | RK73HB1J272J | MG RESISTOR | 2.7kΩ 1/16W J | 1 | |
| | R527 | RK73HB1J472J | MG RESISTOR | 4.7kΩ 1/16W J | 1 | |
| | R528 | RK73HB1J101J | MG RESISTOR | 100Ω 1/16W J | 1 | |
| | R529 | RK73HB1J472J | MG RESISTOR | 4.7kΩ 1/16W J | 1 | |
| | R530 | RK73HB1J101J | MG RESISTOR | 100Ω 1/16W J | 1 | |
| | R531 | RK73HB1J101J | MG RESISTOR | 100Ω 1/16W J | 1 | |
| | R532 | RK73HB1J101J | MG RESISTOR | 100Ω 1/16W J | 1 | |
| | R533 | RK73HB1J473J | MG RESISTOR | 47kΩ 1/16W J | 1 | |
| | R534 | RK73HB1J101J | MG RESISTOR | 100Ω 1/16W J | 1 | |
| | R535 | RK73GB2A473J | MG RESISTOR | 47kΩ 1/10W J | 1 | R2,K3,K2 |
| | R536 | RK73HB1J101J | MG RESISTOR | 100Ω 1/16W J | 1 | R2,K3,K2 |
| | R539 | RK73HB1J000J | MG RESISTOR | 0Ω 1/16W J | 1 | |
| | R540 | RK73HB1J101J | MG RESISTOR | 100Ω 1/16W J | 1 | |
| | R541 | RK73HB1J272J | MG RESISTOR | 2.7kΩ 1/16W J | 1 | |
| | R542 | RK73HB1J473J | MG RESISTOR | 47kΩ 1/16W J | 1 | |
| | R543 | RK73HB1J472J | MG RESISTOR | 4.7kΩ 1/16W J | 1 | |
| | R544 | RK73HB1J472J | MG RESISTOR | 4.7kΩ 1/16W J | 1 | |
| | R545 | RK73HB1J101J | MG RESISTOR | 100Ω 1/16W J | 1 | |
| | R546 | RK73HB1J101J | MG RESISTOR | 100Ω 1/16W J | 1 | |
| | R547 | RK73HB1J101J | MG RESISTOR | 100Ω 1/16W J | 1 | |
| | R548 | RK73HB1J680J | MG RESISTOR | 68Ω 1/16W J | 1 | |
| | R549 | RK73HB1J511J | MG RESISTOR | 510Ω 1/16W J | 1 | |
| | R550 | RK73HB1J101J | MG RESISTOR | 100Ω 1/16W J | 1 | |
| | R551 | RK73HB1J104J | MG RESISTOR | 100kΩ 1/16W J | 1 | |
| | R552 | RK73HB1J101J | MG RESISTOR | 100Ω 1/16W J | 1 | |
| | R553 | RK73HB1J104J | MG RESISTOR | 100kΩ 1/16W J | 1 | |
| | R554 | RK73HB1J101J | MG RESISTOR | 100Ω 1/16W J | 1 | |
| | R555 | RK73HB1J473J | MG RESISTOR | 47kΩ 1/16W J | 1 | |
| | R557 | RK73HB1J101J | MG RESISTOR | 100Ω 1/16W J | 1 | |
| | R559 | RK73HB1J473J | MG RESISTOR | 47kΩ 1/16W J | 1 | |
| | R560 | RK73HB1J104J | MG RESISTOR | 100kΩ 1/16W J | 1 | |
| | R561 | RK73HB1J104J | MG RESISTOR | 100kΩ 1/16W J | 1 | |
| | R562 | RK73HB1J101J | MG RESISTOR | 100Ω 1/16W J | 1 | |
| | R563 | RK73HB1J101J | MG RESISTOR | 100Ω 1/16W J | 1 | |
| | R564 | RK73HB1J101J | MG RESISTOR | 100Ω 1/16W J | 1 | |
| | R565 | RK73HB1J473J | MG RESISTOR | 47kΩ 1/16W J | 1 | |
| | R566 | RK73HB1J101J | MG RESISTOR | 100Ω 1/16W J | 1 | |
| | R567 | RK73HB1J101J | MG RESISTOR | 100Ω 1/16W J | 1 | E4,M1,X2,M2,E3,X1 |
| | R568 | RK73HB1J223J | MG RESISTOR | 22kΩ 1/16W J | 1 | |
| | R569 | RK73HB1J101J | MG RESISTOR | 100Ω 1/16W J | 1 | E4,M1,X2,M2,E3,X1 |
| | R570 | RK73HB1J101J | MG RESISTOR | 100Ω 1/16W J | 1 | |
| | R571 | RK73HB1J222J | MG RESISTOR | 2.2kΩ 1/16W J | 1 | |
| | R572 | RK73HB1J222J | MG RESISTOR | 2.2kΩ 1/16W J | 1 | |
| | R573 | RK73HB1J473J | MG RESISTOR | 47kΩ 1/16W J | 1 | |
| | R574 | RK73HB1J101J | MG RESISTOR | 100Ω 1/16W J | 1 | |
| | R575 | RK73HB1J101J | MG RESISTOR | 100Ω 1/16W J | 1 | |
| | R576 | RK73HB1J101J | MG RESISTOR | 100Ω 1/16W J | 1 | |
| | R577 | RK73HB1J101J | MG RESISTOR | 100Ω 1/16W J | 1 | |
| | R578 | RK73HB1J101J | MG RESISTOR | 100Ω 1/16W J | 1 | |
| | R579 | RK73HB1J101J | MG RESISTOR | 100Ω 1/16W J | 1 | |

| | | | | | | | |
|------------|------|------------|------|------------|------|------------|------|
| MODEL | MARK | MODEL | MARK | MODEL | MARK | MODEL | MARK |
| DNX4150BT | E4 | DNX4150BT | M1 | DNX4150BT | R2 | DNX4150BT | X2 |
| DNX4150BTM | M2 | DNX4150BTR | Q1 | DNX4150DAB | E3 | DNX4150DAB | X1 |
| DNX572BH | K3 | DNX692 | K2 | | | | |

| Safe | Symbol No. | Parts No. | Parts Name | Description | QTY | Local |
|------|------------|--------------|-------------|---------------|-----|----------------------|
| | R580 | RK73HB1J104J | MG RESISTOR | 100kΩ 1/16W J | 1 | |
| | R581 | RK73HB1J101J | MG RESISTOR | 100Ω 1/16W J | 1 | E4,M1,X2,M2,E3,X1 |
| | R583 | RK73HB1J101J | MG RESISTOR | 100Ω 1/16W J | 1 | |
| | R584 | RK73HB1J104J | MG RESISTOR | 100kΩ 1/16W J | 1 | |
| | R585 | RK73HH1J104D | MG RESISTOR | 100kΩ 1/16W D | 1 | E3,X1,K3,K2 |
| | R586 | RK73HH1J104D | MG RESISTOR | 100kΩ 1/16W D | 1 | E4,M1,R2,X2,M2,Q1 |
| | R586 | RK73HH1J393D | MG RESISTOR | 39kΩ 1/16W D | 1 | E3,X1,K3 |
| | R586 | RK73HH1J753D | MG RESISTOR | 75kΩ 1/16W D | 1 | K2 |
| | R587 | RK73HH1J104D | MG RESISTOR | 100kΩ 1/16W D | 1 | E4,M1,R2,M2,Q1,E3,K3 |
| | R588 | RK73HH1J134D | MG RESISTOR | 130kΩ 1/16W D | 1 | .K2 |
| | R588 | RK73HH1J393D | MG RESISTOR | 39kΩ 1/16W D | 1 | E4,E3 |
| | R588 | RK73HH1J244D | MG RESISTOR | 240kΩ 1/16W D | 1 | M1 |
| | R588 | RK73HH1J104D | MG RESISTOR | 100kΩ 1/16W D | 1 | R2 |
| | R588 | RK73HH1J163D | MG RESISTOR | 16kΩ 1/16W D | 1 | X2,X1 |
| | R588 | RK73HH1J753D | MG RESISTOR | 75kΩ 1/16W D | 1 | M2 |
| | R589 | RK73HB1J101J | MG RESISTOR | 100Ω 1/16W J | 1 | Q1 |
| | R593 | RK73HB1J103J | MG RESISTOR | 10kΩ 1/16W J | 1 | |
| | R594 | RK73HB1J101J | MG RESISTOR | 100Ω 1/16W J | 1 | |
| | R595 | RK73HB1J101J | MG RESISTOR | 100Ω 1/16W J | 1 | |
| | R596 | RK73HB1J272J | MG RESISTOR | 2.7kΩ 1/16W J | 1 | |
| | R597 | RK73HB1J104J | MG RESISTOR | 100kΩ 1/16W J | 1 | |
| | R598 | RK73HB1J101J | MG RESISTOR | 100Ω 1/16W J | 1 | |
| | R599 | RK73HB1J473J | MG RESISTOR | 47kΩ 1/16W J | 1 | |
| | R601 | RK73HB1J101J | MG RESISTOR | 100Ω 1/16W J | 1 | |
| | R602 | RK73HB1J101J | MG RESISTOR | 100Ω 1/16W J | 1 | |
| | R603 | RK73HB1J101J | MG RESISTOR | 100Ω 1/16W J | 1 | |
| | R604 | RK73HB1J272J | MG RESISTOR | 2.7kΩ 1/16W J | 1 | |
| | R605 | RK73HB1J101J | MG RESISTOR | 100Ω 1/16W J | 1 | |
| | R606 | RK73HB1J272J | MG RESISTOR | 2.7kΩ 1/16W J | 1 | |
| | R610 | RK73HB1J101J | MG RESISTOR | 100Ω 1/16W J | 1 | |
| | R611 | RK73HB1J101J | MG RESISTOR | 100Ω 1/16W J | 1 | |
| | R613 | RK73HB1J101J | MG RESISTOR | 100Ω 1/16W J | 1 | E4,M1,R2,X2,M2,Q1,E3 |
| | R614 | RK73HB1J101J | MG RESISTOR | 100Ω 1/16W J | 1 | .X1 |
| | R615 | RK73HB1J104J | MG RESISTOR | 100kΩ 1/16W J | 1 | E4,M1,R2,X2,M2,Q1,E3 |
| | R616 | RK73HB1J101J | MG RESISTOR | 100Ω 1/16W J | 1 | .X1 |
| | R617 | RK73HB1J473J | MG RESISTOR | 47kΩ 1/16W J | 1 | E4,M1,R2,X2,M2,Q1,E3 |
| | R618 | RK73HB1J104J | MG RESISTOR | 100kΩ 1/16W J | 1 | .X1 |
| | R620 | RK73HB1J473J | MG RESISTOR | 47kΩ 1/16W J | 1 | |
| | R627 | RK73HB1J473J | MG RESISTOR | 47kΩ 1/16W J | 1 | |
| | R628 | RK73HB1J104J | MG RESISTOR | 100kΩ 1/16W J | 1 | |
| | R630 | RK73HB1J473J | MG RESISTOR | 47kΩ 1/16W J | 1 | |
| | R631 | RK73HB1J473J | MG RESISTOR | 47kΩ 1/16W J | 1 | |
| | R641 | RK73HB1J473J | MG RESISTOR | 47kΩ 1/16W J | 1 | |
| | R642 | RK73HB1J101J | MG RESISTOR | 100Ω 1/16W J | 1 | |
| | R702 | RK73HB1J222J | MG RESISTOR | 2.2kΩ 1/16W J | 1 | K2 |
| | R703 | RK73HB1J272J | MG RESISTOR | 2.7kΩ 1/16W J | 1 | K2 |
| | R704 | RK73HB1J222J | MG RESISTOR | 2.2kΩ 1/16W J | 1 | |
| | R705 | RK73HB1J473J | MG RESISTOR | 47kΩ 1/16W J | 1 | |
| | R706 | RK73HB1J272J | MG RESISTOR | 2.7kΩ 1/16W J | 1 | |
| | R708 | RK73GB2A000J | MG RESISTOR | 0Ω 1/10W J | 1 | |
| | R719 | RK73HB1J000J | MG RESISTOR | 0Ω 1/16W J | 1 | E4,Q1,E3,K3,K2 |
| | R720 | RK73HB1J000J | MG RESISTOR | 0Ω 1/16W J | 1 | E4,Q1,E3,K3,K2 |
| | R721 | RK73HB1J272J | MG RESISTOR | 2.7kΩ 1/16W J | 1 | |
| | R724 | RK73HB1J000J | MG RESISTOR | 0Ω 1/16W J | 1 | |
| | R725 | RK73HB1J223J | MG RESISTOR | 22kΩ 1/16W J | 1 | |
| | R726 | RK73HB1J223J | MG RESISTOR | 22kΩ 1/16W J | 1 | |
| | R727 | RK73HB1J223J | MG RESISTOR | 22kΩ 1/16W J | 1 | |
| | R728 | RK73HB1J223J | MG RESISTOR | 22kΩ 1/16W J | 1 | |
| | R729 | RK73HB1J220J | MG RESISTOR | 22Ω 1/16W J | 1 | |
| | R730 | RK73HB1J220J | MG RESISTOR | 22Ω 1/16W J | 1 | |
| | R731 | RK73HB1J220J | MG RESISTOR | 22Ω 1/16W J | 1 | |
| | R732 | RK73HB1J220J | MG RESISTOR | 22Ω 1/16W J | 1 | |
| | R733 | RK73HB1J220J | MG RESISTOR | 22Ω 1/16W J | 1 | |
| | R734 | RK73HB1J220J | MG RESISTOR | 22Ω 1/16W J | 1 | |
| | R735 | RK73HB1J220J | MG RESISTOR | 22Ω 1/16W J | 1 | |
| | R736 | RK73HB1J220J | MG RESISTOR | 22Ω 1/16W J | 1 | |
| | R737 | RK73HB1J220J | MG RESISTOR | 22Ω 1/16W J | 1 | |
| | R738 | RK73HB1J220J | MG RESISTOR | 22Ω 1/16W J | 1 | |
| | R739 | RK73GB2A2R2J | MG RESISTOR | 2.2Ω 1/10W J | 1 | |
| | R740 | RK73GB2A2R2J | MG RESISTOR | 2.2Ω 1/10W J | 1 | |
| | R741 | RK73GB2A221J | MG RESISTOR | 220Ω 1/10W J | 1 | |
| | R742 | RK73GB2A221J | MG RESISTOR | 220Ω 1/10W J | 1 | |
| | R743 | RK73HB1J221J | MG RESISTOR | 220Ω 1/16W J | 1 | |
| | R744 | RK73GB2A221J | MG RESISTOR | 220Ω 1/10W J | 1 | |
| | R745 | RK73GB2A221J | MG RESISTOR | 220Ω 1/10W J | 1 | |
| | R746 | RK73GB2A2R2J | MG RESISTOR | 2.2Ω 1/10W J | 1 | |
| | R747 | RK73HB1J000J | MG RESISTOR | 0Ω 1/16W J | 1 | |
| | R748 | RK73HB1J000J | MG RESISTOR | 0Ω 1/16W J | 1 | |
| | R749 | RK73HB1J000J | MG RESISTOR | 0Ω 1/16W J | 1 | |
| | R755 | RK73HB1J471J | MG RESISTOR | 470Ω 1/16W J | 1 | |
| | R756 | RK73HB1J223J | MG RESISTOR | 22kΩ 1/16W J | 1 | |
| | R759 | RK73HB1J223J | MG RESISTOR | 22kΩ 1/16W J | 1 | |
| | R760 | RK73HB1J471J | MG RESISTOR | 470Ω 1/16W J | 1 | |
| | R783 | RK73HB1J620J | MG RESISTOR | 62Ω 1/16W J | 1 | |
| | R785 | RK73HB1J4R7J | MG RESISTOR | 4.7Ω 1/16W J | 1 | |
| | R786 | RK73HB1J100J | MG RESISTOR | 10Ω 1/16W J | 1 | |
| | R787 | RK73HB1J223J | MG RESISTOR | 22kΩ 1/16W J | 1 | |
| | R788 | RK73HB1J4R7J | MG RESISTOR | 4.7Ω 1/16W J | 1 | |
| | R789 | RK73HB1J223J | MG RESISTOR | 22kΩ 1/16W J | 1 | |

| | | | | | | | |
|------------|------|------------|------|------------|------|------------|------|
| MODEL | MARK | MODEL | MARK | MODEL | MARK | MODEL | MARK |
| DNX4150BT | E4 | DNX4150BT | M1 | DNX4150BT | R2 | DNX4150BT | X2 |
| DNX4150BTM | M2 | DNX4150BTR | Q1 | DNX4150DAB | E3 | DNX4150DAB | X1 |
| DNX572BH | K3 | DNX692 | K2 | | | | |

| Safe | Symbol No. | Parts No. | Parts Name | Description | QTY | Local |
|------|------------|---------------|---------------|----------------|-----|---------------------------------------|
| | R790 | RK73HB1J100J | MG RESISTOR | 10Ω 1/16W J | 1 | |
| | R823 | RK73HB1J303J | MG RESISTOR | 30kΩ 1/16W J | 1 | |
| | R824 | RK73HB1J272J | MG RESISTOR | 2.7kΩ 1/16W J | 1 | |
| | R825 | RK73GB2A000J | MG RESISTOR | 0Ω 1/10W J | 1 | |
| | R826 | RK73HB1J100J | MG RESISTOR | 10Ω 1/16W J | 1 | |
| | R829 | RK73HB1J303J | MG RESISTOR | 30kΩ 1/16W J | 1 | |
| | R831 | RK73HB1J102J | MG RESISTOR | 1kΩ 1/16W J | 1 | E4,M1,R2,X2,M2,Q1,E3 ,X1 |
| | R832 | RK73HH1J750D | MG RESISTOR | 75Ω 1/16W D | 1 | E4,M1,R2,X2,M2,Q1,E3 ,X1 |
| | R833 | RK73HB1J100J | MG RESISTOR | 10Ω 1/16W J | 1 | E4,M1,R2,X2,M2,Q1,E3 ,X1 |
| | R836 | RK73HB1J100J | MG RESISTOR | 10Ω 1/16W J | 1 | E4,M1,R2,X2,M2,Q1,E3 ,X1 |
| | R837 | RK73HB1J4R7J | MG RESISTOR | 4.7Ω 1/16W J | 1 | E4,M1,R2,X2,M2,Q1,E3 ,X1 |
| | R838 | RK73HB1J100J | MG RESISTOR | 10Ω 1/16W J | 1 | E4,M1,R2,X2,M2,Q1,E3 ,X1 |
| | R839 | RK73HB1J750J | MG RESISTOR | 75Ω 1/16W J | 1 | |
| | R840 | RK73HB1J100J | MG RESISTOR | 10Ω 1/16W J | 1 | |
| | R841 | RK73HB1J300J | MG RESISTOR | 30Ω 1/16W J | 1 | |
| | R842 | RK73HH1J750D | MG RESISTOR | 75Ω 1/16W D | 1 | |
| | R852 | RK73HB1J101J | MG RESISTOR | 100Ω 1/16W J | 1 | |
| | R854 | RK73FB2B101J | MG RESISTOR | 100Ω 1/8W J | 1 | |
| | R858 | RK73HB1J000J | MG RESISTOR | 0Ω 1/16W J | 1 | |
| | R872 | RK73HB1J000J | MG RESISTOR | 0Ω 1/16W J | 1 | E4,M1,R2,X2,M2,Q1,E3 ,X1 |
| | R873 | RK73HB1J000J | MG RESISTOR | 0Ω 1/16W J | 1 | |
| | R874 | RK73HB1J000J | MG RESISTOR | 0Ω 1/16W J | 1 | |
| | R875 | RK73HB1J000J | MG RESISTOR | 0Ω 1/16W J | 1 | |
| | R877 | RK73HB1J100J | MG RESISTOR | 10Ω 1/16W J | 1 | |
| | R878 | RK73HH1J391D | MG RESISTOR | 390Ω 1/16W D | 1 | |
| | R879 | RK73HH1J201D | MG RESISTOR | 200Ω 1/16W D | 1 | |
| | R884 | RK73HB1J100J | MG RESISTOR | 10Ω 1/16W J | 1 | |
| | R886 | RK73HB1J220J | MG RESISTOR | 22Ω 1/16W J | 1 | |
| | R887 | RK73HB1J220J | MG RESISTOR | 22Ω 1/16W J | 1 | |
| | R888 | RK73HB1J000J | MG RESISTOR | 0Ω 1/16W J | 1 | |
| | R889 | RK73HH1J683D | MG RESISTOR | 68kΩ 1/16W D | 1 | |
| | R890 | RK73HH1J683D | MG RESISTOR | 68kΩ 1/16W D | 1 | |
| | R901 | RK73HB1J330J | MG RESISTOR | 33Ω 1/16W J | 1 | |
| | R902 | RK73HB1J000J | MG RESISTOR | 0Ω 1/16W J | 1 | |
| | R903 | RK73HB1J330J | MG RESISTOR | 33Ω 1/16W J | 1 | |
| | R904 | RK73HB1J000J | MG RESISTOR | 0Ω 1/16W J | 1 | |
| | R905 | RK73HH1J201D | MG RESISTOR | 200Ω 1/16W D | 1 | |
| | R906 | RK73HH1J750D | MG RESISTOR | 75Ω 1/16W D | 1 | |
| | R907 | RK73HH1J201D | MG RESISTOR | 200Ω 1/16W D | 1 | |
| | R908 | RK73HH1J750D | MG RESISTOR | 75Ω 1/16W D | 1 | |
| | R909 | RK73HH1J750D | MG RESISTOR | 75Ω 1/16W D | 1 | |
| | R910 | RK73HH1J201D | MG RESISTOR | 200Ω 1/16W D | 1 | |
| | R911 | RK73HB1J000J | MG RESISTOR | 0Ω 1/16W J | 1 | |
| | R912 | RK73HB1J330J | MG RESISTOR | 33Ω 1/16W J | 1 | |
| | R913 | RK73GB2A000J | MG RESISTOR | 0Ω 1/10W J | 1 | |
| | R914 | RK73HB1J105J | MG RESISTOR | 1MΩ 1/16W J | 1 | |
| | R915 | RK73HB1J105J | MG RESISTOR | 1MΩ 1/16W J | 1 | |
| | R916 | RK73HH1J201D | MG RESISTOR | 200Ω 1/16W D | 1 | |
| | R917 | RK73HB1J101J | MG RESISTOR | 100Ω 1/16W J | 1 | |
| | R918 | RK73HH1J102D | MG RESISTOR | 1kΩ 1/16W D | 1 | |
| | R919 | RK73HB1J000J | MG RESISTOR | 0Ω 1/16W J | 1 | E4,M1,R2,M2,Q1,E3,K3 ,K2 |
| | R920 | RK73HB1J000J | MG RESISTOR | 0Ω 1/16W J | 1 | E4,M1,R2,M2,Q1,E3,K3 ,K2 |
| | R921 | RK73HB1J220J | MG RESISTOR | 22Ω 1/16W J | 1 | |
| | R922 | RK73HB1J220J | MG RESISTOR | 22Ω 1/16W J | 1 | |
| | R923 | RK73HB1J000J | MG RESISTOR | 0Ω 1/16W J | 1 | E4,M1,R2,M2,Q1,E3,K3 ,K2 |
| | R924 | RK73HB1J000J | MG RESISTOR | 0Ω 1/16W J | 1 | E4,M1,R2,M2,Q1,E3,K3 ,K2 |
| | R925 | RK73HB1J103J | MG RESISTOR | 10kΩ 1/16W J | 1 | |
| | R926 | RK73HB1J000J | MG RESISTOR | 0Ω 1/16W J | 1 | |
| | R927 | RK73HB1J272J | MG RESISTOR | 2.7kΩ 1/16W J | 1 | |
| | R928 | RK73HB1J220J | MG RESISTOR | 22Ω 1/16W J | 1 | |
| | L13 | LR79Z0DY8R2N | CHIP INDUCTOR | | 1 | |
| | L32 | LR79Z0DY8R2N | CHIP INDUCTOR | | 1 | |
| | L52 | LR79Z0DY8R2N | CHIP INDUCTOR | | 1 | |
| | L401 | NQLQ2EN-5R1X | INDUCTOR | 5.1uH N | 1 | |
| | L501 | NQR0199-003X | FERRITE BEADS | | 1 | |
| | L535 | NQR0199-003X | FERRITE BEADS | | 1 | R2,K3,K2 |
| | L871 | NQL77GK-100X | INDUCTOR | 10uH K | 1 | |
| | L901 | NQL77GK-100X | INDUCTOR | 10uH K | 1 | |
| | L921 | NQLP9AJ-27NX | INDUCTOR | 27nH J | 1 | |
| | L922 | NQLP7AG-8N2X | INDUCTOR | 8.2nH G | 1 | |
| | L923 | NQLZ021-9N1X | INDUCTOR | 9.1nH | 1 | |
| | L924 | NQR0593-001X | FERRITE BEADS | | 1 | |
| | L925 | NQR0593-001X | FERRITE BEADS | | 1 | |
| | L926 | NAX1261-001X | SAW FILTER | | 1 | |
| | A171 | W0C-0101-10 | RF MODULE | | 1 | E4,M1,R2,X2,M2,Q1,E3 ,X1,K3 ,K2 |
| | A171 | W0C-0102-10 | RF MODULE | | 1 | |
| | A921 | NAU0020-001X | RF MODULE | | 1 | |
| | CN101 | QGA2001C1-02 | W TO B CONNE | W-B (1-2) | 1 | |
| | CN201 | QGB0811L2-40X | B TO B CONNE | B-B (1-40) | 1 | |
| | CN251 | QGF0534F7-50X | FFC/FPC CONNE | FFC/FPC (1-50) | 1 | |

| MODEL | MARK | MODEL | MARK | MODEL | MARK | MODEL | MARK |
|------------|------|------------|------|------------|------|------------|------|
| DNX4150BT | E4 | DNX4150BT | M1 | DNX4150BT | R2 | DNX4150BT | X2 |
| DNX4150BTM | M2 | DNX4150BTR | Q1 | DNX4150DAB | E3 | DNX4150DAB | X1 |
| DNX572BH | K3 | DNX692 | K2 | | | | |

| Safe | Symbol No. | Parts No. | Parts Name | Description | QTY | Local |
|--------------------------------------|------------|----------------|-----------------|----------------|-----|----------------------------|
| | CN252 | QGA2021F1-04 | W TO B CONNE | W-B (1-4) | 1 | R2,K3,K2 |
| | CN271 | QGA1002F1-08X | W TO B CONNE | W-B (1-8) | 1 | |
| | CN301 | QGB0812M9-70X | B TO B CONNE | B-B (1-70) | 1 | |
| | CN311 | QGA2504F2-04 | W TO B CONNE | W-B (1-4) | 1 | |
| | CN401 | QGF0572F1-60X | FFC/FPC CONNE | FFC/FPC (1-60) | 1 | |
| | CN402 | QGA1002F1-04X | W TO B CONNE | W-B (1-4) | 1 | |
| | CN701 | QGB0812L4-70X | B TO B CONNE | B-B (1-70) | 1 | |
| | CN751 | QGF0534F7-40X | FFC/FPC CONNE | FFC/FPC (1-40) | 1 | |
| | CN802 | QGA2001C1-03 | W TO B CONNE | W-B (1-3) | 1 | |
| | CN901 | QGF0534F7-60X | FFC/FPC CONNE | FFC/FPC (1-60) | 1 | |
| △ | F401 | NMFZ031-2R0X-H | FUSE | 2A | 1 | |
| | J251 | QNS0307-001 | 3.5 JACK | | 1 | E4,M1,R2,X2,M2,E3,X1,K3,K2 |
| | J781 | QNS0291-001 | 3.5 JACK | | 1 | |
| | J801 | QNS0291-001 | 3.5 JACK | | 1 | E4,M1,R2,X2,M2,Q1,E3,X1 |
| | J851 | QNS0307-001 | 3.5 JACK | | 1 | |
| | J921 | QNZ1055-001 | COAXIAL JACK | | 1 | |
| | VA251 | NAF0043-8R0X | VARISTOR(ZNR) | | 1 | E4,M1,R2,X2,M2,E3,X1,K3,K2 |
| | VA252 | NAF0043-8R0X | VARISTOR(ZNR) | | 1 | E4,M1,R2,X2,M2,E3,X1,K3,K2 |
| | VA253 | NAF0043-8R0X | VARISTOR(ZNR) | | 1 | E4,M1,R2,X2,M2,E3,X1,K3,K2 |
| | VA323 | NAF0044-270X | VARISTOR(ZNR) | | 1 | |
| | VA410 | NAF0044-270X | VARISTOR(ZNR) | | 1 | |
| | VA411 | NAF0044-270X | VARISTOR(ZNR) | | 1 | |
| | VA412 | NAF0044-270X | VARISTOR(ZNR) | | 1 | |
| | VA413 | NAF0044-270X | VARISTOR(ZNR) | | 1 | |
| | VA414 | NAF0044-270X | VARISTOR(ZNR) | | 1 | |
| | VA781 | NAF0044-270X | VARISTOR(ZNR) | | 1 | |
| | VA782 | NAF0043-8R0X | VARISTOR(ZNR) | | 1 | |
| | VA783 | NAF0043-8R0X | VARISTOR(ZNR) | | 1 | |
| | VA784 | NAF0044-270X | VARISTOR(ZNR) | | 1 | |
| | VA823 | NAF0044-270X | VARISTOR(ZNR) | | 1 | |
| | VA832 | NAF0044-270X | VARISTOR(ZNR) | | 1 | E4,M1,R2,X2,M2,Q1,E3,X1 |
| | VA835 | NAF0044-270X | VARISTOR(ZNR) | | 1 | |
| | VA836 | NAF0043-8R0X | VARISTOR(ZNR) | | 1 | E4,M1,R2,X2,M2,Q1,E3,X1 |
| | VA837 | NAF0043-8R0X | VARISTOR(ZNR) | | 1 | E4,M1,R2,X2,M2,Q1,E3,X1 |
| | VA838 | NAF0043-8R0X | VARISTOR(ZNR) | | 1 | E4,M1,R2,X2,M2,Q1,E3,X1 |
| | VA852 | NAF0043-8R0X | VARISTOR(ZNR) | | 1 | |
| | VA921 | NAF0029-002X | ESD SUPPRESSOR | | 1 | |
| | X501 | NAX1256-001X | CRYSTAL | | 1 | |
| | X502 | NAX1201-001X | CRYSTAL | | 1 | |
| | X921 | L7H-0017-00 | TCXO | | 1 | |
| | X922 | NAX1248-001X | CRYSTAL | | 1 | |
| DAUGHTER PWB ASSY (XJF-008x-xx) <Q2> | | | | | | |
| | IC1 | ----- | MPU IC | | 1 | |
| | IC2 | NJM2561F1 | BIPOLAR IC | | 1 | |
| | IC3 | TC7SG86FU-X | IC(DIGITAL) | | 1 | |
| | IC4 | THS8136PHP | MOS IC | | 1 | |
| | IC5 | TC7SG04FU-X | IC | | 1 | |
| | IC8 | XC6223B331PG-X | IC | | 1 | |
| | IC101 | MST7901SD-I | IC | | 1 | |
| | IC102 | W3F-0037-00 | IC | | 1 | |
| | IC400 | XC6220B121PG-X | IC | | 1 | |
| | IC500 | W3F-0036-00 | IC | | 1 | |
| | IC501 | ----- | DRAM IC | | 1 | |
| | IC502 | ----- | DRAM IC | | 1 | |
| | IC503 | ----- | DRAM IC | | 1 | |
| | IC504 | ----- | DRAM IC | | 1 | |
| | IC505 | XC6223B331PG-X | IC | | 1 | |
| | IC506 | XC6213B182N-G | MOS IC | | 1 | |
| | IC507 | XC6223B181PG-X | IC | | 1 | |
| | IC508 | XC6602B181PG-X | IC | | 1 | |
| | IC700 | TC7W08FUF | MOS IC | | 1 | |
| | Q2 | LSAR523EBFS8 | TRANSISTOR | | 1 | |
| | Q100 | LTC014YEBFS8 | DIGI TRANSISTOR | | 1 | |
| | Q101 | LTA014YEB-X | DIGI TRANSISTOR | | 1 | |
| | Q700 | LTC014YEBFS8 | DIGI TRANSISTOR | | 1 | |
| | Q701 | LTC014YEBFS8 | DIGI TRANSISTOR | | 1 | |
| | Q703 | LSCR523EBFS8 | TRANSISTOR | | 1 | |
| | C1 | CK73FXR0J226M | C CAPACITOR | 22uF 6.3V M | 1 | |
| | C2 | CK73FXR0J226M | C CAPACITOR | 22uF 6.3V M | 1 | |
| | C4 | CK73FXR0J226M | C CAPACITOR | 22uF 6.3V M | 1 | |
| | C5 | CK73FXR0J226M | C CAPACITOR | 22uF 6.3V M | 1 | |
| | C6 | CK73HXR0J105K | C CAPACITOR | 1uF 6.3V K | 1 | |
| | C7 | CK73HBB1A104K | C CAPACITOR | 0.1uF 10V K | 1 | |
| | C12 | CK73FXR0J106K | C CAPACITOR | 10uF 6.3V K | 1 | |
| | C13 | CK73FXR0J106K | C CAPACITOR | 10uF 6.3V K | 1 | |
| | C14 | CK73HBB1A104K | C CAPACITOR | 0.1uF 10V K | 1 | |
| | C23 | CK73HBB1A104K | C CAPACITOR | 0.1uF 10V K | 1 | |
| | C28 | CK73HBB1A104K | C CAPACITOR | 0.1uF 10V K | 1 | |
| | C33 | CK73HBB1A104K | C CAPACITOR | 0.1uF 10V K | 1 | |
| | C34 | CK73HBB1A104K | C CAPACITOR | 0.1uF 10V K | 1 | |
| | C38 | CK73FXR0J106K | C CAPACITOR | 10uF 6.3V K | 1 | |
| | C39 | CK73HBB1A104K | C CAPACITOR | 0.1uF 10V K | 1 | |

| MODEL | MARK | MODEL | MARK | MODEL | MARK | MODEL | MARK |
|------------|------|------------|------|------------|------|------------|------|
| DNX4150BT | E4 | DNX4150BT | M1 | DNX4150BT | R2 | DNX4150BT | X2 |
| DNX4150BTM | M2 | DNX4150BTR | Q1 | DNX4150DAB | E3 | DNX4150DAB | X1 |
| DNX572BH | K3 | DNX692 | K2 | | | | |

| Safe | Symbol No. | Parts No. | Parts Name | Description | QTY | Local |
|------|------------|---------------|-------------|--------------|-----|-------|
| | C50 | CK73HBB1A104K | C CAPACITOR | 0.1uF 10V K | 1 | |
| | C51 | CK73HBB1A104K | C CAPACITOR | 0.1uF 10V K | 1 | |
| | C55 | CK73FXR0J105K | C CAPACITOR | 1uF 6.3V K | 1 | |
| | C56 | CK73HXR0J105K | C CAPACITOR | 1uF 6.3V K | 1 | |
| | C71 | CK73FXR0J226M | C CAPACITOR | 22uF 6.3V M | 1 | |
| | C101 | CC73HCH1H080D | C CAPACITOR | 8pF 50V D | 1 | |
| | C102 | CC73HCH1H120J | C CAPACITOR | 12pF 50V J | 1 | |
| | C103 | CK73FXR0J106K | C CAPACITOR | 10uF 6.3V K | 1 | |
| | C104 | CK73FXR0J226M | C CAPACITOR | 22uF 6.3V M | 1 | |
| | C105 | CK73HBB1A104K | C CAPACITOR | 0.1uF 10V K | 1 | |
| | C106 | CK73HBB1A104K | C CAPACITOR | 0.1uF 10V K | 1 | |
| | C107 | CK73HBB1H102K | C CAPACITOR | 1000pF 50V K | 1 | |
| | C108 | CK73HBB1A104K | C CAPACITOR | 0.1uF 10V K | 1 | |
| | C109 | CK73HBB1A104K | C CAPACITOR | 0.1uF 10V K | 1 | |
| | C110 | CK73HBB1A104K | C CAPACITOR | 0.1uF 10V K | 1 | |
| | C111 | CK73HBB1A104K | C CAPACITOR | 0.1uF 10V K | 1 | |
| | C112 | CK73HBB1A104K | C CAPACITOR | 0.1uF 10V K | 1 | |
| | C113 | CK73HBB1A104K | C CAPACITOR | 0.1uF 10V K | 1 | |
| | C114 | CK73HBB1H102K | C CAPACITOR | 1000pF 50V K | 1 | |
| | C115 | CK73FXR0J106K | C CAPACITOR | 10uF 6.3V K | 1 | |
| | C116 | CK73HBB1H102K | C CAPACITOR | 1000pF 50V K | 1 | |
| | C117 | CK73HBB1A104K | C CAPACITOR | 0.1uF 10V K | 1 | |
| | C118 | CK73HBB1A104K | C CAPACITOR | 0.1uF 10V K | 1 | |
| | C119 | CK73FXR0J106K | C CAPACITOR | 10uF 6.3V K | 1 | |
| | C120 | CK73HBB1A104K | C CAPACITOR | 0.1uF 10V K | 1 | |
| | C121 | CK73HBB1A104K | C CAPACITOR | 0.1uF 10V K | 1 | |
| | C122 | CK73HBB1A104K | C CAPACITOR | 0.1uF 10V K | 1 | |
| | C130 | CK73HBB1A104K | C CAPACITOR | 0.1uF 10V K | 1 | |
| | C131 | CK73HBB1H102K | C CAPACITOR | 1000pF 50V K | 1 | |
| | C200 | CK73HBB1A104K | C CAPACITOR | 0.1uF 10V K | 1 | |
| | C201 | CK73HBB1A104K | C CAPACITOR | 0.1uF 10V K | 1 | |
| | C202 | CK73HBB1A104K | C CAPACITOR | 0.1uF 10V K | 1 | |
| | C203 | CK73FXR0J106K | C CAPACITOR | 10uF 6.3V K | 1 | |
| | C204 | CK73HBB1A104K | C CAPACITOR | 0.1uF 10V K | 1 | |
| | C205 | CK73HBB1A104K | C CAPACITOR | 0.1uF 10V K | 1 | |
| | C206 | CK73HBB1A104K | C CAPACITOR | 0.1uF 10V K | 1 | |
| | C207 | CK73HBB1E103K | C CAPACITOR | 0.01uF 25V K | 1 | |
| | C208 | CK73FXR0J106K | C CAPACITOR | 10uF 6.3V K | 1 | |
| | C209 | CK73HBB1A104K | C CAPACITOR | 0.1uF 10V K | 1 | |
| | C210 | CK73HBB1A104K | C CAPACITOR | 0.1uF 10V K | 1 | |
| | C211 | CK73HBB1A104K | C CAPACITOR | 0.1uF 10V K | 1 | |
| | C212 | CK73HBB1E103K | C CAPACITOR | 0.01uF 25V K | 1 | |
| | C213 | CK73HBB1A104K | C CAPACITOR | 0.1uF 10V K | 1 | |
| | C215 | CK73HBB1A104K | C CAPACITOR | 0.1uF 10V K | 1 | |
| | C216 | CK73HBB1A104K | C CAPACITOR | 0.1uF 10V K | 1 | |
| | C217 | CK73FXR0J106K | C CAPACITOR | 10uF 6.3V K | 1 | |
| | C218 | CK73HBB1A104K | C CAPACITOR | 0.1uF 10V K | 1 | |
| | C219 | CK73HBB1A104K | C CAPACITOR | 0.1uF 10V K | 1 | |
| | C220 | CK73HBB1A104K | C CAPACITOR | 0.1uF 10V K | 1 | |
| | C221 | CK73HBB1E103K | C CAPACITOR | 0.01uF 25V K | 1 | |
| | C222 | CK73HBB1A104K | C CAPACITOR | 0.1uF 10V K | 1 | |
| | C224 | CK73HBB1A104K | C CAPACITOR | 0.1uF 10V K | 1 | |
| | C225 | CK73FXR0J106K | C CAPACITOR | 10uF 6.3V K | 1 | |
| | C226 | CK73HBB1A104K | C CAPACITOR | 0.1uF 10V K | 1 | |
| | C227 | CK73HBB1A104K | C CAPACITOR | 0.1uF 10V K | 1 | |
| | C228 | CK73HBB1A104K | C CAPACITOR | 0.1uF 10V K | 1 | |
| | C229 | CK73HBB1E103K | C CAPACITOR | 0.01uF 25V K | 1 | |
| | C230 | CK73HBB1A104K | C CAPACITOR | 0.1uF 10V K | 1 | |
| | C232 | CK73HBB1A104K | C CAPACITOR | 0.1uF 10V K | 1 | |
| | C233 | CK73HBB1A104K | C CAPACITOR | 0.1uF 10V K | 1 | |
| | C234 | CK73FXR0J106K | C CAPACITOR | 10uF 6.3V K | 1 | |
| | C235 | CK73HBB1A104K | C CAPACITOR | 0.1uF 10V K | 1 | |
| | C236 | CK73HBB1A104K | C CAPACITOR | 0.1uF 10V K | 1 | |
| | C237 | CK73HBB1A104K | C CAPACITOR | 0.1uF 10V K | 1 | |
| | C238 | CK73HBB1E103K | C CAPACITOR | 0.01uF 25V K | 1 | |
| | C239 | CK73HBB1A104K | C CAPACITOR | 0.1uF 10V K | 1 | |
| | C241 | CK73HBB1A104K | C CAPACITOR | 0.1uF 10V K | 1 | |
| | C242 | CK73HBB1A104K | C CAPACITOR | 0.1uF 10V K | 1 | |
| | C243 | CK73HBB1A104K | C CAPACITOR | 0.1uF 10V K | 1 | |
| | C244 | CK73HBB1A104K | C CAPACITOR | 0.1uF 10V K | 1 | |
| | C245 | CK73FXR0J106K | C CAPACITOR | 10uF 6.3V K | 1 | |
| | C246 | CK73HBB1A104K | C CAPACITOR | 0.1uF 10V K | 1 | |
| | C247 | CK73HBB1A104K | C CAPACITOR | 0.1uF 10V K | 1 | |
| | C248 | CK73HBB1A104K | C CAPACITOR | 0.1uF 10V K | 1 | |
| | C249 | CK73HBB1E103K | C CAPACITOR | 0.01uF 25V K | 1 | |
| | C250 | CK73FXR0J106K | C CAPACITOR | 10uF 6.3V K | 1 | |
| | C251 | CK73HBB1A104K | C CAPACITOR | 0.1uF 10V K | 1 | |
| | C252 | CK73HBB1A104K | C CAPACITOR | 0.1uF 10V K | 1 | |
| | C253 | CK73HBB1A104K | C CAPACITOR | 0.1uF 10V K | 1 | |
| | C254 | CK73HBB1E103K | C CAPACITOR | 0.01uF 25V K | 1 | |
| | C255 | CK73HBB1A104K | C CAPACITOR | 0.1uF 10V K | 1 | |
| | C256 | CK73HBB1A104K | C CAPACITOR | 0.1uF 10V K | 1 | |
| | C257 | CK73HBB1A104K | C CAPACITOR | 0.1uF 10V K | 1 | |
| | C258 | CK73HBB1A104K | C CAPACITOR | 0.1uF 10V K | 1 | |
| | C259 | CK73HBB1A104K | C CAPACITOR | 0.1uF 10V K | 1 | |
| | C260 | CK73HBB1A104K | C CAPACITOR | 0.1uF 10V K | 1 | |
| | C261 | CK73HBB1A104K | C CAPACITOR | 0.1uF 10V K | 1 | |
| | C262 | CK73FXR0J106K | C CAPACITOR | 10uF 6.3V K | 1 | |

| | | | | | | | |
|------------|------|------------|------|------------|------|------------|------|
| MODEL | MARK | MODEL | MARK | MODEL | MARK | MODEL | MARK |
| DNX4150BT | E4 | DNX4150BT | M1 | DNX4150BT | R2 | DNX4150BT | X2 |
| DNX4150BTM | M2 | DNX4150BTR | Q1 | DNX4150DAB | E3 | DNX4150DAB | X1 |
| DNX572BH | K3 | DNX692 | K2 | | | | |

| Safe | Symbol No. | Parts No. | Parts Name | Description | QTY | Local |
|------|------------|---------------|-------------|--------------|-----|-------|
| | C263 | CK73HBB1A104K | C CAPACITOR | 0.1uF 10V K | 1 | |
| | C264 | CK73HBB1A104K | C CAPACITOR | 0.1uF 10V K | 1 | |
| | C265 | CK73HBB1A104K | C CAPACITOR | 0.1uF 10V K | 1 | |
| | C266 | CK73HBB1E103K | C CAPACITOR | 0.01uF 25V K | 1 | |
| | C267 | CK73HBB1A104K | C CAPACITOR | 0.1uF 10V K | 1 | |
| | C268 | CK73HBB1A104K | C CAPACITOR | 0.1uF 10V K | 1 | |
| | C269 | CK73FXR0J106K | C CAPACITOR | 10uF 6.3V K | 1 | |
| | C270 | CK73HBB1A104K | C CAPACITOR | 0.1uF 10V K | 1 | |
| | C271 | CK73HBB1E103K | C CAPACITOR | 0.01uF 25V K | 1 | |
| | C273 | CK73FXR0J106K | C CAPACITOR | 10uF 6.3V K | 1 | |
| | C274 | CK73FXR0J106K | C CAPACITOR | 10uF 6.3V K | 1 | |
| | C275 | CK73HBB1A104K | C CAPACITOR | 0.1uF 10V K | 1 | |
| | C276 | CK73HBB1A104K | C CAPACITOR | 0.1uF 10V K | 1 | |
| | C277 | CK73HBB1E103K | C CAPACITOR | 0.01uF 25V K | 1 | |
| | C278 | CK73HBB1E103K | C CAPACITOR | 0.01uF 25V K | 1 | |
| | C279 | CK73HBB1A104K | C CAPACITOR | 0.1uF 10V K | 1 | |
| | C280 | CK73HBB1A104K | C CAPACITOR | 0.1uF 10V K | 1 | |
| | C281 | CK73HBB1A104K | C CAPACITOR | 0.1uF 10V K | 1 | |
| | C282 | CK73HBB1A104K | C CAPACITOR | 0.1uF 10V K | 1 | |
| | C283 | CK73HBB1A104K | C CAPACITOR | 0.1uF 10V K | 1 | |
| | C284 | CK73HBB1A104K | C CAPACITOR | 0.1uF 10V K | 1 | |
| | C285 | CK73FXR0J106K | C CAPACITOR | 10uF 6.3V K | 1 | |
| | C286 | CK73HBB1A104K | C CAPACITOR | 0.1uF 10V K | 1 | |
| | C287 | CK73HBB1A104K | C CAPACITOR | 0.1uF 10V K | 1 | |
| | C288 | CK73HBB1A104K | C CAPACITOR | 0.1uF 10V K | 1 | |
| | C289 | CK73HBB1E103K | C CAPACITOR | 0.01uF 25V K | 1 | |
| | C290 | CK73HBB1A104K | C CAPACITOR | 0.1uF 10V K | 1 | |
| | C291 | CK73HBB1A104K | C CAPACITOR | 0.1uF 10V K | 1 | |
| | C292 | CK73FXR0J106K | C CAPACITOR | 10uF 6.3V K | 1 | |
| | C293 | CK73HBB1A104K | C CAPACITOR | 0.1uF 10V K | 1 | |
| | C294 | CK73HBB1A104K | C CAPACITOR | 0.1uF 10V K | 1 | |
| | C295 | CK73HBB1A104K | C CAPACITOR | 0.1uF 10V K | 1 | |
| | C296 | CK73HBB1E103K | C CAPACITOR | 0.01uF 25V K | 1 | |
| | C297 | CK73HBB1A104K | C CAPACITOR | 0.1uF 10V K | 1 | |
| | C405 | CK73HBB1A104K | C CAPACITOR | 0.1uF 10V K | 1 | |
| | C422 | CK73HXR0J105K | C CAPACITOR | 1uF 6.3V K | 1 | |
| | C423 | CK73FXR0J226M | C CAPACITOR | 22uF 6.3V M | 1 | |
| | C430 | CK73FXR0J226M | C CAPACITOR | 22uF 6.3V M | 1 | |
| | C431 | CK73FXR0J226M | C CAPACITOR | 22uF 6.3V M | 1 | |
| | C493 | CK73HXR0J105K | C CAPACITOR | 1uF 6.3V K | 1 | |
| | C494 | CK73FXR0J226M | C CAPACITOR | 22uF 6.3V M | 1 | |
| | C496 | CK73FXR0J106K | C CAPACITOR | 10uF 6.3V K | 1 | |
| | C497 | CK73FXR0J106K | C CAPACITOR | 10uF 6.3V K | 1 | |
| | C498 | CK73HXR0J105K | C CAPACITOR | 1uF 6.3V K | 1 | |
| | C500 | CK73FXR0J106K | C CAPACITOR | 10uF 6.3V K | 1 | |
| | C501 | CK73HBB1A104K | C CAPACITOR | 0.1uF 10V K | 1 | |
| | C502 | CK73HBB1A104K | C CAPACITOR | 0.1uF 10V K | 1 | |
| | C503 | CK73HBB1A104K | C CAPACITOR | 0.1uF 10V K | 1 | |
| | C504 | CK73HBB1A104K | C CAPACITOR | 0.1uF 10V K | 1 | |
| | C505 | CK73HBB1A104K | C CAPACITOR | 0.1uF 10V K | 1 | |
| | C508 | CK73HBB1E103K | C CAPACITOR | 0.01uF 25V K | 1 | |
| | C509 | CK73HBB1A104K | C CAPACITOR | 0.1uF 10V K | 1 | |
| | C510 | CK73FXR0J106K | C CAPACITOR | 10uF 6.3V K | 1 | |
| | C511 | CK73HBB1A104K | C CAPACITOR | 0.1uF 10V K | 1 | |
| | C512 | CK73HBB1A104K | C CAPACITOR | 0.1uF 10V K | 1 | |
| | C514 | CK73HBB1A104K | C CAPACITOR | 0.1uF 10V K | 1 | |
| | C515 | CK73HBB1A104K | C CAPACITOR | 0.1uF 10V K | 1 | |
| | C516 | CK73HXR0J105K | C CAPACITOR | 1uF 6.3V K | 1 | |
| | C517 | CK73HXR0J105K | C CAPACITOR | 1uF 6.3V K | 1 | |
| | C518 | CK73HBB1A104K | C CAPACITOR | 0.1uF 10V K | 1 | |
| | C519 | CK73HBB1A104K | C CAPACITOR | 0.1uF 10V K | 1 | |
| | C520 | CK73HXR0J105K | C CAPACITOR | 1uF 6.3V K | 1 | |
| | C521 | CK73HXR0J105K | C CAPACITOR | 1uF 6.3V K | 1 | |
| | C522 | CK73HXR0J105K | C CAPACITOR | 1uF 6.3V K | 1 | |
| | C523 | CK73HXR0J105K | C CAPACITOR | 1uF 6.3V K | 1 | |
| | C524 | CK73HBB1A104K | C CAPACITOR | 0.1uF 10V K | 1 | |
| | C525 | CK73HBB1A104K | C CAPACITOR | 0.1uF 10V K | 1 | |
| | C526 | CK73HXR0J105K | C CAPACITOR | 1uF 6.3V K | 1 | |
| | C527 | CK73HXR0J105K | C CAPACITOR | 1uF 6.3V K | 1 | |
| | C528 | CK73HXR0J105K | C CAPACITOR | 1uF 6.3V K | 1 | |
| | C529 | CK73HXR0J105K | C CAPACITOR | 1uF 6.3V K | 1 | |
| | C530 | CK73HXR0J105K | C CAPACITOR | 1uF 6.3V K | 1 | |
| | C531 | CK73HXR0J105K | C CAPACITOR | 1uF 6.3V K | 1 | |
| | C532 | CK73HBB1A104K | C CAPACITOR | 0.1uF 10V K | 1 | |
| | C533 | CK73HBB1A104K | C CAPACITOR | 0.1uF 10V K | 1 | |
| | C534 | CK73HXR0J105K | C CAPACITOR | 1uF 6.3V K | 1 | |
| | C535 | CK73HXR0J105K | C CAPACITOR | 1uF 6.3V K | 1 | |
| | C536 | CK73HBB1A104K | C CAPACITOR | 0.1uF 10V K | 1 | |
| | C537 | CK73HBB1A104K | C CAPACITOR | 0.1uF 10V K | 1 | |
| | C538 | CK73HXR0J105K | C CAPACITOR | 1uF 6.3V K | 1 | |
| | C539 | CK73HXR0J105K | C CAPACITOR | 1uF 6.3V K | 1 | |
| | C540 | CK73HBB1A104K | C CAPACITOR | 0.1uF 10V K | 1 | |
| | C541 | CK73HBB1A104K | C CAPACITOR | 0.1uF 10V K | 1 | |
| | C542 | CK73HXR0J105K | C CAPACITOR | 1uF 6.3V K | 1 | |
| | C543 | CK73HXR0J105K | C CAPACITOR | 1uF 6.3V K | 1 | |
| | C544 | CK73HBB1A104K | C CAPACITOR | 0.1uF 10V K | 1 | |
| | C545 | CK73HBB1A104K | C CAPACITOR | 0.1uF 10V K | 1 | |
| | C546 | CK73HXR0J105K | C CAPACITOR | 1uF 6.3V K | 1 | |
| | C547 | CK73HXR0J105K | C CAPACITOR | 1uF 6.3V K | 1 | |
| | C548 | CK73HXR0J105K | C CAPACITOR | 1uF 6.3V K | 1 | |

| | | | | | | | |
|------------|------|------------|------|------------|------|------------|------|
| MODEL | MARK | MODEL | MARK | MODEL | MARK | MODEL | MARK |
| DNX4150BT | E4 | DNX4150BT | M1 | DNX4150BT | R2 | DNX4150BT | X2 |
| DNX4150BTM | M2 | DNX4150BTR | Q1 | DNX4150DAB | E3 | DNX4150DAB | X1 |
| DNX572BH | K3 | DNX692 | K2 | | | | |

| Safe | Symbol No. | Parts No. | Parts Name | Description | QTY | Local |
|------|------------|---------------|-------------|---------------|-----|-------|
| | C549 | CK73HXR0J105K | C CAPACITOR | 1uF 6.3V K | 1 | |
| | C550 | CK73FXR0J106K | C CAPACITOR | 10uF 6.3V K | 1 | |
| | C551 | CK73FXR0J106K | C CAPACITOR | 10uF 6.3V K | 1 | |
| | C552 | CK73EXR0J476M | C CAPACITOR | 47uF 6.3V M | 1 | |
| | C553 | CK73EXR0J476M | C CAPACITOR | 47uF 6.3V M | 1 | |
| | C554 | CK73EXR0J476M | C CAPACITOR | 47uF 6.3V M | 1 | |
| | C555 | CK73EXR0J476M | C CAPACITOR | 47uF 6.3V M | 1 | |
| | C556 | CK73HBB1A104K | C CAPACITOR | 0.1uF 10V K | 1 | |
| | C557 | CK73HBB1A104K | C CAPACITOR | 0.1uF 10V K | 1 | |
| | C558 | CK73HBB1A104K | C CAPACITOR | 0.1uF 10V K | 1 | |
| | C559 | CK73HBB1A104K | C CAPACITOR | 0.1uF 10V K | 1 | |
| | C560 | CK73HXR0J105K | C CAPACITOR | 1uF 6.3V K | 1 | |
| | C561 | CK73HXR0J105K | C CAPACITOR | 1uF 6.3V K | 1 | |
| | C562 | CK73HBB1A104K | C CAPACITOR | 0.1uF 10V K | 1 | |
| | C563 | CK73HBB1A104K | C CAPACITOR | 0.1uF 10V K | 1 | |
| | C564 | CK73HXR0J105K | C CAPACITOR | 1uF 6.3V K | 1 | |
| | C565 | CK73HXR0J105K | C CAPACITOR | 1uF 6.3V K | 1 | |
| | C566 | CK73HXR0J105K | C CAPACITOR | 1uF 6.3V K | 1 | |
| | C567 | CK73HXR0J105K | C CAPACITOR | 1uF 6.3V K | 1 | |
| | C568 | CK73HBB1A104K | C CAPACITOR | 0.1uF 10V K | 1 | |
| | C569 | CK73HBB1A104K | C CAPACITOR | 0.1uF 10V K | 1 | |
| | C570 | CK73HXR0J105K | C CAPACITOR | 1uF 6.3V K | 1 | |
| | C571 | CK73HXR0J105K | C CAPACITOR | 1uF 6.3V K | 1 | |
| | C572 | CK73HXR0J105K | C CAPACITOR | 1uF 6.3V K | 1 | |
| | C573 | CK73HXR0J105K | C CAPACITOR | 1uF 6.3V K | 1 | |
| | C574 | CK73HXR0J105K | C CAPACITOR | 1uF 6.3V K | 1 | |
| | C575 | CK73HXR0J105K | C CAPACITOR | 1uF 6.3V K | 1 | |
| | C576 | CK73HBB1A104K | C CAPACITOR | 0.1uF 10V K | 1 | |
| | C577 | CK73HBB1A104K | C CAPACITOR | 0.1uF 10V K | 1 | |
| | C578 | CK73HXR0J105K | C CAPACITOR | 1uF 6.3V K | 1 | |
| | C579 | CK73HXR0J105K | C CAPACITOR | 1uF 6.3V K | 1 | |
| | C580 | CK73HBB1A104K | C CAPACITOR | 0.1uF 10V K | 1 | |
| | C581 | CK73HBB1A104K | C CAPACITOR | 0.1uF 10V K | 1 | |
| | C582 | CK73HXR0J105K | C CAPACITOR | 1uF 6.3V K | 1 | |
| | C583 | CK73HXR0J105K | C CAPACITOR | 1uF 6.3V K | 1 | |
| | C584 | CK73HBB1A104K | C CAPACITOR | 0.1uF 10V K | 1 | |
| | C585 | CK73HBB1A104K | C CAPACITOR | 0.1uF 10V K | 1 | |
| | C586 | CK73HXR0J105K | C CAPACITOR | 1uF 6.3V K | 1 | |
| | C587 | CK73HXR0J105K | C CAPACITOR | 1uF 6.3V K | 1 | |
| | C588 | CK73HBB1A104K | C CAPACITOR | 0.1uF 10V K | 1 | |
| | C589 | CK73HBB1A104K | C CAPACITOR | 0.1uF 10V K | 1 | |
| | C590 | CK73HXR0J105K | C CAPACITOR | 1uF 6.3V K | 1 | |
| | C591 | CK73HXR0J105K | C CAPACITOR | 1uF 6.3V K | 1 | |
| | C600 | CK73HXR0J105K | C CAPACITOR | 1uF 6.3V K | 1 | |
| | C601 | CK73HXR0J105K | C CAPACITOR | 1uF 6.3V K | 1 | |
| | C634 | CK73FXR0J106K | C CAPACITOR | 10uF 6.3V K | 1 | |
| | C635 | CK73HXR0J105K | C CAPACITOR | 1uF 6.3V K | 1 | |
| | C636 | CK73HBB1A104K | C CAPACITOR | 0.1uF 10V K | 1 | |
| | C700 | CC73HCH1H470J | C CAPACITOR | 47pF 50V J | 1 | |
| | C701 | CC73HCH1H820J | C CAPACITOR | 82pF 50V J | 1 | |
| | C702 | CC73HCH1H470J | C CAPACITOR | 47pF 50V J | 1 | |
| | C703 | CC73HCH1H470J | C CAPACITOR | 47pF 50V J | 1 | |
| | C704 | CC73HCH1H470J | C CAPACITOR | 47pF 50V J | 1 | |
| | C705 | CC73HCH1H470J | C CAPACITOR | 47pF 50V J | 1 | |
| | C706 | CK73HBB1A104K | C CAPACITOR | 0.1uF 10V K | 1 | |
| | C709 | CC73HCH1H220J | C CAPACITOR | 22pF 50V J | 1 | |
| | C710 | CC73HCH1H220J | C CAPACITOR | 22pF 50V J | 1 | |
| | C711 | CC73HCH1H150J | C CAPACITOR | 15pF 50V J | 1 | |
| | C712 | CC73HCH1H050C | C CAPACITOR | 5pF 50V C | 1 | |
| | C713 | CK73HBB1E103K | C CAPACITOR | 0.01uF 25V K | 1 | |
| | C714 | CK73HBB1E103K | C CAPACITOR | 0.01uF 25V K | 1 | |
| | C717 | CK73HBB1E103K | C CAPACITOR | 0.01uF 25V K | 1 | |
| | C719 | CK73HBB1E103K | C CAPACITOR | 0.01uF 25V K | 1 | |
| | C918 | CK73HBB1A104K | C CAPACITOR | 0.1uF 10V K | 1 | |
| | C919 | CK73HXR0J105K | C CAPACITOR | 1uF 6.3V K | 1 | |
| | C920 | CK73FXR0J106K | C CAPACITOR | 10uF 6.3V K | 1 | |
| | C925 | CK73HBB1H102K | C CAPACITOR | 1000pF 50V K | 1 | K2 |
| | C933 | CK73HBB1H102K | C CAPACITOR | 1000pF 50V K | 1 | |
| | C950 | CK73EXR0J476M | C CAPACITOR | 47uF 6.3V M | 1 | |
| | C952 | CK73HBB1H102K | C CAPACITOR | 1000pF 50V K | 1 | K2 |
| | C953 | CK73HBB1H102K | C CAPACITOR | 1000pF 50V K | 1 | |
| | R2 | RK73GB2A000J | MG RESISTOR | 0Ω 1/10W J | 1 | |
| | R3 | RK73GB2A000J | MG RESISTOR | 0Ω 1/10W J | 1 | |
| | R7 | RK73HH1J750D | MG RESISTOR | 75Ω 1/16W D | 1 | |
| | R8 | RK73HH1J750D | MG RESISTOR | 75Ω 1/16W D | 1 | |
| | R10 | RK73HB1J471J | MG RESISTOR | 470Ω 1/16W J | 1 | |
| | R15 | RK73HB1J223J | MG RESISTOR | 22kΩ 1/16W J | 1 | |
| | R21 | RK73HB1J223J | MG RESISTOR | 22kΩ 1/16W J | 1 | |
| | R28 | RK73GH2A362D | MG RESISTOR | 3.6kΩ 1/10W D | 1 | |
| | R30 | RK73HB1J223J | MG RESISTOR | 22kΩ 1/16W J | 1 | |
| | R31 | RK73HB1J223J | MG RESISTOR | 22kΩ 1/16W J | 1 | |
| | R32 | RK73GH2A201D | MG RESISTOR | 200Ω 1/10W D | 1 | |
| | R33 | RK73HB1J102J | MG RESISTOR | 1kΩ 1/16W J | 1 | |
| | R36 | RK73HB1J102J | MG RESISTOR | 1kΩ 1/16W J | 1 | |
| | R38 | RK73HH1J101D | MG RESISTOR | 100Ω 1/16W D | 1 | |
| | R39 | RK73HH1J101D | MG RESISTOR | 100Ω 1/16W D | 1 | |
| | R43 | RK73HH1J101D | MG RESISTOR | 100Ω 1/16W D | 1 | |
| | R44 | RK73HB1J000J | MG RESISTOR | 0Ω 1/16W J | 1 | |

| | | | | | | | |
|------------|------|------------|------|------------|------|------------|------|
| MODEL | MARK | MODEL | MARK | MODEL | MARK | MODEL | MARK |
| DNX4150BT | E4 | DNX4150BT | M1 | DNX4150BT | R2 | DNX4150BT | X2 |
| DNX4150BTM | M2 | DNX4150BTR | Q1 | DNX4150DAB | E3 | DNX4150DAB | X1 |
| DNX572BH | K3 | DNX692 | K2 | | | | |

| Safe | Symbol No. | Parts No. | Parts Name | Description | QTY | Local |
|------|------------|--------------|-------------|---------------|-----|--------------------------------|
| | R45 | RK73HB1J000J | MG RESISTOR | 0Ω 1/16W J | 1 | |
| | R46 | RK73HB1J000J | MG RESISTOR | 0Ω 1/16W J | 1 | |
| | R55 | RK73HB1J103J | MG RESISTOR | 10kΩ 1/16W J | 1 | K2 |
| | R58 | RK73HH1J122D | MG RESISTOR | 1.2kΩ 1/16W D | 1 | |
| | R60 | RK73HB1J220J | MG RESISTOR | 22Ω 1/16W J | 1 | |
| | R61 | RK73HB1J220J | MG RESISTOR | 22Ω 1/16W J | 1 | |
| | R62 | RK73HB1J220J | MG RESISTOR | 22Ω 1/16W J | 1 | |
| | R63 | RK73HB1J220J | MG RESISTOR | 22Ω 1/16W J | 1 | |
| | R64 | RK73HB1J272J | MG RESISTOR | 2.7kΩ 1/16W J | 1 | |
| | R65 | RK73HB1J272J | MG RESISTOR | 2.7kΩ 1/16W J | 1 | E4,M1,R2,X2,M2,Q1,E3 ,X1,K3 |
| | R66 | RK73HB1J272J | MG RESISTOR | 2.7kΩ 1/16W J | 1 | |
| | R67 | RK73HB1J220J | MG RESISTOR | 22Ω 1/16W J | 1 | |
| | R68 | RK73HB1J330J | MG RESISTOR | 33Ω 1/16W J | 1 | |
| | R69 | RK73HB1J330J | MG RESISTOR | 33Ω 1/16W J | 1 | |
| | R70 | RK73HB1J330J | MG RESISTOR | 33Ω 1/16W J | 1 | |
| | R72 | RK73HB1J272J | MG RESISTOR | 2.7kΩ 1/16W J | 1 | |
| | R80 | RK73GB2A000J | MG RESISTOR | 0Ω 1/10W J | 1 | |
| | R81 | RK73HB1J000J | MG RESISTOR | 0Ω 1/16W J | 1 | |
| | R83 | RK73HB1J151J | MG RESISTOR | 150Ω 1/16W J | 1 | |
| | R84 | RK73FB2B101J | MG RESISTOR | 100Ω 1/8W J | 1 | |
| | R85 | RK73GB2A000J | MG RESISTOR | 0Ω 1/10W J | 1 | |
| | R86 | RK73GB2A000J | MG RESISTOR | 0Ω 1/10W J | 1 | |
| | R101 | RK73HB1J122J | MG RESISTOR | 1.2kΩ 1/16W J | 1 | |
| | R102 | RK73HB1J105J | MG RESISTOR | 1MΩ 1/16W J | 1 | |
| | R104 | RK73HB1J330J | MG RESISTOR | 33Ω 1/16W J | 1 | |
| | R111 | RK73HB1J000J | MG RESISTOR | 0Ω 1/16W J | 1 | |
| | R113 | RK73HB1J000J | MG RESISTOR | 0Ω 1/16W J | 1 | |
| | R114 | RK73HB1J000J | MG RESISTOR | 0Ω 1/16W J | 1 | |
| | R115 | RK73HB1J330J | MG RESISTOR | 33Ω 1/16W J | 1 | |
| | R116 | RK73HB1J101J | MG RESISTOR | 100Ω 1/16W J | 1 | |
| | R117 | RK73HB1J272J | MG RESISTOR | 2.7kΩ 1/16W J | 1 | |
| | R118 | RK73HB1J101J | MG RESISTOR | 100Ω 1/16W J | 1 | |
| | R119 | RK73HB1J330J | MG RESISTOR | 33Ω 1/16W J | 1 | |
| | R120 | RK73HB1J330J | MG RESISTOR | 33Ω 1/16W J | 1 | |
| | R122 | RK73HB1J330J | MG RESISTOR | 33Ω 1/16W J | 1 | |
| | R123 | RK73HB1J330J | MG RESISTOR | 33Ω 1/16W J | 1 | |
| | R124 | RK73HB1J272J | MG RESISTOR | 2.7kΩ 1/16W J | 1 | |
| | R125 | RK73HB1J680J | MG RESISTOR | 68Ω 1/16W J | 1 | |
| | R126 | RK73HB1J680J | MG RESISTOR | 68Ω 1/16W J | 1 | |
| | R127 | RK73HB1J000J | MG RESISTOR | 0Ω 1/16W J | 1 | |
| | R128 | RK73HB1J471J | MG RESISTOR | 470Ω 1/16W J | 1 | |
| | R129 | RK73HB1J220J | MG RESISTOR | 22Ω 1/16W J | 1 | |
| | R130 | RK73HB1J220J | MG RESISTOR | 22Ω 1/16W J | 1 | |
| | R317 | RK73HB1J000J | MG RESISTOR | 0Ω 1/16W J | 1 | |
| | R318 | RK73HB1J000J | MG RESISTOR | 0Ω 1/16W J | 1 | |
| | R396 | RK73HH1J103D | MG RESISTOR | 10kΩ 1/16W D | 1 | |
| | R397 | RK73HH1J103D | MG RESISTOR | 10kΩ 1/16W D | 1 | |
| | R400 | RK73HB1J223J | MG RESISTOR | 22kΩ 1/16W J | 1 | |
| | R402 | RK73HB1J473J | MG RESISTOR | 47kΩ 1/16W J | 1 | |
| | R403 | RK73HB1J473J | MG RESISTOR | 47kΩ 1/16W J | 1 | |
| | R405 | RK73HB1J473J | MG RESISTOR | 47kΩ 1/16W J | 1 | |
| | R412 | RK73HB1J000J | MG RESISTOR | 0Ω 1/16W J | 1 | |
| | R491 | RK73HB1J151J | MG RESISTOR | 150Ω 1/16W J | 1 | |
| | R492 | RK73GB2A221J | MG RESISTOR | 220Ω 1/10W J | 1 | |
| | R500 | RK73HB1J332J | MG RESISTOR | 3.3kΩ 1/16W J | 1 | |
| | R501 | RK73HB1J220J | MG RESISTOR | 22Ω 1/16W J | 1 | |
| | R502 | RK73HB1J220J | MG RESISTOR | 22Ω 1/16W J | 1 | |
| | R503 | RK73HB1J220J | MG RESISTOR | 22Ω 1/16W J | 1 | |
| | R504 | RK73HB1J220J | MG RESISTOR | 22Ω 1/16W J | 1 | |
| | R505 | RK73HB1J220J | MG RESISTOR | 22Ω 1/16W J | 1 | |
| | R506 | RK73HB1J220J | MG RESISTOR | 22Ω 1/16W J | 1 | |
| | R507 | RK73HB1J220J | MG RESISTOR | 22Ω 1/16W J | 1 | |
| | R508 | RK73HB1J220J | MG RESISTOR | 22Ω 1/16W J | 1 | |
| | R509 | RK73HB1J272J | MG RESISTOR | 2.7kΩ 1/16W J | 1 | |
| | R510 | RK73HB1J220J | MG RESISTOR | 22Ω 1/16W J | 1 | |
| | R511 | RK73HB1J220J | MG RESISTOR | 22Ω 1/16W J | 1 | |
| | R512 | RK73HB1J220J | MG RESISTOR | 22Ω 1/16W J | 1 | |
| | R513 | RK73HB1J220J | MG RESISTOR | 22Ω 1/16W J | 1 | |
| | R514 | RK73HB1J272J | MG RESISTOR | 2.7kΩ 1/16W J | 1 | |
| | R515 | RK73HB1J220J | MG RESISTOR | 22Ω 1/16W J | 1 | |
| | R516 | RK73HB1J220J | MG RESISTOR | 22Ω 1/16W J | 1 | |
| | R517 | RK73HB1J220J | MG RESISTOR | 22Ω 1/16W J | 1 | |
| | R518 | RK73HB1J223J | MG RESISTOR | 22kΩ 1/16W J | 1 | |
| | R519 | RK73HB1J223J | MG RESISTOR | 22kΩ 1/16W J | 1 | |
| | R520 | RK73HB1J223J | MG RESISTOR | 22kΩ 1/16W J | 1 | |
| | R521 | RK73HB1J223J | MG RESISTOR | 22kΩ 1/16W J | 1 | |
| | R522 | RK73HB1J223J | MG RESISTOR | 22kΩ 1/16W J | 1 | |
| | R523 | RK73HB1J220J | MG RESISTOR | 22Ω 1/16W J | 1 | |
| | R526 | RK73HB1J220J | MG RESISTOR | 22Ω 1/16W J | 1 | |
| | R527 | RK73HB1J101J | MG RESISTOR | 100Ω 1/16W J | 1 | |
| | R528 | RK73HB1J220J | MG RESISTOR | 22Ω 1/16W J | 1 | |
| | R529 | RK73HB1J220J | MG RESISTOR | 22Ω 1/16W J | 1 | |
| | R536 | RK73HB1J220J | MG RESISTOR | 22Ω 1/16W J | 1 | |
| | R537 | RK73HB1J220J | MG RESISTOR | 22Ω 1/16W J | 1 | |
| | R538 | RK73HB1J220J | MG RESISTOR | 22Ω 1/16W J | 1 | |
| | R539 | RK73HB1J220J | MG RESISTOR | 22Ω 1/16W J | 1 | |
| | R540 | RK73HB1J220J | MG RESISTOR | 22Ω 1/16W J | 1 | |
| | R541 | RK73HB1J330J | MG RESISTOR | 33Ω 1/16W J | 1 | |
| | R542 | RK73HB1J220J | MG RESISTOR | 22Ω 1/16W J | 1 | |
| | R543 | RK73HB1J000J | MG RESISTOR | 0Ω 1/16W J | 1 | |
| | R544 | RK73HB1J220J | MG RESISTOR | 22Ω 1/16W J | 1 | |

| | | | | | | | |
|------------|------|------------|------|------------|------|------------|------|
| MODEL | MARK | MODEL | MARK | MODEL | MARK | MODEL | MARK |
| DNX4150BT | E4 | DNX4150BT | M1 | DNX4150BT | R2 | DNX4150BT | X2 |
| DNX4150BTM | M2 | DNX4150BTR | Q1 | DNX4150DAB | E3 | DNX4150DAB | X1 |
| DNX572BH | K3 | DNX692 | K2 | | | | |

| Safe | Symbol No. | Parts No. | Parts Name | Description | QTY | Local |
|------|------------|--------------|-------------|---------------|-----|-------|
| | R545 | RK73HB1J220J | MG RESISTOR | 22Ω 1/16W J | 1 | |
| | R546 | RK73HB1J220J | MG RESISTOR | 22Ω 1/16W J | 1 | |
| | R547 | RK73HB1J220J | MG RESISTOR | 22Ω 1/16W J | 1 | |
| | R548 | RK73HB1J220J | MG RESISTOR | 22Ω 1/16W J | 1 | |
| | R549 | RK73HB1J220J | MG RESISTOR | 22Ω 1/16W J | 1 | |
| | R550 | RK73HB1J220J | MG RESISTOR | 22Ω 1/16W J | 1 | |
| | R551 | RK73HB1J220J | MG RESISTOR | 22Ω 1/16W J | 1 | |
| | R552 | RK73HB1J220J | MG RESISTOR | 22Ω 1/16W J | 1 | |
| | R553 | RK73HB1J220J | MG RESISTOR | 22Ω 1/16W J | 1 | |
| | R554 | RK73HB1J220J | MG RESISTOR | 22Ω 1/16W J | 1 | |
| | R555 | RK73HB1J220J | MG RESISTOR | 22Ω 1/16W J | 1 | |
| | R556 | RK73HB1J000J | MG RESISTOR | 0Ω 1/16W J | 1 | |
| | R557 | RK73HB1J000J | MG RESISTOR | 0Ω 1/16W J | 1 | |
| | R558 | RK73HB1J220J | MG RESISTOR | 22Ω 1/16W J | 1 | |
| | R559 | RK73HB1J220J | MG RESISTOR | 22Ω 1/16W J | 1 | |
| | R560 | RK73HB1J220J | MG RESISTOR | 22Ω 1/16W J | 1 | |
| | R561 | RK73HB1J220J | MG RESISTOR | 22Ω 1/16W J | 1 | |
| | R562 | RK73HB1J220J | MG RESISTOR | 22Ω 1/16W J | 1 | |
| | R563 | RK73HB1J220J | MG RESISTOR | 22Ω 1/16W J | 1 | |
| | R564 | RK73HB1J000J | MG RESISTOR | 0Ω 1/16W J | 1 | |
| | R565 | RK73HB1J000J | MG RESISTOR | 0Ω 1/16W J | 1 | |
| | R566 | RK73HB1J220J | MG RESISTOR | 22Ω 1/16W J | 1 | |
| | R567 | RK73HB1J220J | MG RESISTOR | 22Ω 1/16W J | 1 | |
| | R568 | RK73HB1J220J | MG RESISTOR | 22Ω 1/16W J | 1 | |
| | R569 | RK73HH1J241D | MG RESISTOR | 240Ω 1/16W D | 1 | |
| | R570 | RK73HB1J103J | MG RESISTOR | 10kΩ 1/16W J | 1 | |
| | R571 | RK73HH1J103D | MG RESISTOR | 10kΩ 1/16W D | 1 | |
| | R572 | RK73HH1J103D | MG RESISTOR | 10kΩ 1/16W D | 1 | |
| | R575 | RK73HB1J272J | MG RESISTOR | 2.7kΩ 1/16W J | 1 | |
| | R577 | RK73HB1J220J | MG RESISTOR | 22Ω 1/16W J | 1 | |
| | R578 | RK73HB1J220J | MG RESISTOR | 22Ω 1/16W J | 1 | |
| | R579 | RK73HB1J220J | MG RESISTOR | 22Ω 1/16W J | 1 | |
| | R580 | RK73HB1J220J | MG RESISTOR | 22Ω 1/16W J | 1 | |
| | R581 | RK73HB1J220J | MG RESISTOR | 22Ω 1/16W J | 1 | |
| | R582 | RK73HB1J220J | MG RESISTOR | 22Ω 1/16W J | 1 | |
| | R583 | RK73HB1J220J | MG RESISTOR | 22Ω 1/16W J | 1 | |
| | R584 | RK73HB1J220J | MG RESISTOR | 22Ω 1/16W J | 1 | |
| | R585 | RK73HB1J220J | MG RESISTOR | 22Ω 1/16W J | 1 | |
| | R586 | RK73HB1J220J | MG RESISTOR | 22Ω 1/16W J | 1 | |
| | R587 | RK73HB1J220J | MG RESISTOR | 22Ω 1/16W J | 1 | |
| | R588 | RK73HB1J220J | MG RESISTOR | 22Ω 1/16W J | 1 | |
| | R589 | RK73HB1J220J | MG RESISTOR | 22Ω 1/16W J | 1 | |
| | R590 | RK73HB1J220J | MG RESISTOR | 22Ω 1/16W J | 1 | |
| | R591 | RK73HB1J220J | MG RESISTOR | 22Ω 1/16W J | 1 | |
| | R592 | RK73HB1J220J | MG RESISTOR | 22Ω 1/16W J | 1 | |
| | R593 | RK73HB1J101J | MG RESISTOR | 100Ω 1/16W J | 1 | |
| | R594 | RK73HB1J220J | MG RESISTOR | 22Ω 1/16W J | 1 | |
| | R595 | RK73HB1J220J | MG RESISTOR | 22Ω 1/16W J | 1 | |
| | R596 | RK73HB1J220J | MG RESISTOR | 22Ω 1/16W J | 1 | |
| | R597 | RK73HB1J220J | MG RESISTOR | 22Ω 1/16W J | 1 | |
| | R598 | RK73HB1J220J | MG RESISTOR | 22Ω 1/16W J | 1 | |
| | R599 | RK73HB1J220J | MG RESISTOR | 22Ω 1/16W J | 1 | |
| | R600 | RK73HB1J102J | MG RESISTOR | 1kΩ 1/16W J | 1 | |
| | R601 | RK73HB1J272J | MG RESISTOR | 2.7kΩ 1/16W J | 1 | |
| | R602 | RK73HB1J103J | MG RESISTOR | 10kΩ 1/16W J | 1 | |
| | R603 | RK73HB1J472J | MG RESISTOR | 4.7kΩ 1/16W J | 1 | |
| | R650 | RK73HB1J220J | MG RESISTOR | 22Ω 1/16W J | 1 | |
| | R670 | RK73HB1J220J | MG RESISTOR | 22Ω 1/16W J | 1 | |
| | R700 | RK73HB1J220J | MG RESISTOR | 22Ω 1/16W J | 1 | |
| | R701 | RK73HB1J470J | MG RESISTOR | 47Ω 1/16W J | 1 | |
| | R703 | RK73HB1J223J | MG RESISTOR | 22kΩ 1/16W J | 1 | |
| | R704 | RK73HB1J223J | MG RESISTOR | 22kΩ 1/16W J | 1 | |
| | R708 | RK73HB1J220J | MG RESISTOR | 22Ω 1/16W J | 1 | |
| | R709 | RK73HB1J272J | MG RESISTOR | 2.7kΩ 1/16W J | 1 | |
| | R710 | RK73HB1J272J | MG RESISTOR | 2.7kΩ 1/16W J | 1 | |
| | R711 | RK73HB1J272J | MG RESISTOR | 2.7kΩ 1/16W J | 1 | |
| | R712 | RK73HB1J272J | MG RESISTOR | 2.7kΩ 1/16W J | 1 | |
| | R713 | RK73HB1J272J | MG RESISTOR | 2.7kΩ 1/16W J | 1 | |
| | R714 | RK73HB1J223J | MG RESISTOR | 22kΩ 1/16W J | 1 | |
| | R716 | RK73HB1J220J | MG RESISTOR | 22Ω 1/16W J | 1 | |
| | R717 | RK73HB1J220J | MG RESISTOR | 22Ω 1/16W J | 1 | |
| | R718 | RK73HB1J223J | MG RESISTOR | 22kΩ 1/16W J | 1 | |
| | R719 | RK73HB1J223J | MG RESISTOR | 22kΩ 1/16W J | 1 | |
| | R720 | RK73HB1J272J | MG RESISTOR | 2.7kΩ 1/16W J | 1 | |
| | R721 | RK73HB1J220J | MG RESISTOR | 22Ω 1/16W J | 1 | |
| | R722 | RK73HB1J220J | MG RESISTOR | 22Ω 1/16W J | 1 | |
| | R727 | RK73HB1J220J | MG RESISTOR | 22Ω 1/16W J | 1 | |
| | R728 | RK73HB1J220J | MG RESISTOR | 22Ω 1/16W J | 1 | |
| | R729 | RK73HB1J220J | MG RESISTOR | 22Ω 1/16W J | 1 | |
| | R730 | RK73HB1J220J | MG RESISTOR | 22Ω 1/16W J | 1 | |
| | R732 | RK73HB1J220J | MG RESISTOR | 22Ω 1/16W J | 1 | |
| | R733 | RK73HB1J220J | MG RESISTOR | 22Ω 1/16W J | 1 | |
| | R735 | RK73HB1J220J | MG RESISTOR | 22Ω 1/16W J | 1 | |
| | R736 | RK73HB1J220J | MG RESISTOR | 22Ω 1/16W J | 1 | |
| | R737 | RK73HB1J220J | MG RESISTOR | 22Ω 1/16W J | 1 | |
| | R738 | RK73HB1J101J | MG RESISTOR | 100Ω 1/16W J | 1 | |
| | R739 | RK73HB1J101J | MG RESISTOR | 100Ω 1/16W J | 1 | |
| | R740 | RK73HB1J101J | MG RESISTOR | 100Ω 1/16W J | 1 | |
| | R741 | RK73HB1J220J | MG RESISTOR | 22Ω 1/16W J | 1 | |
| | R743 | RK73HB1J220J | MG RESISTOR | 22Ω 1/16W J | 1 | |
| | R746 | RK73HB1J220J | MG RESISTOR | 22Ω 1/16W J | 1 | |

| | | | | | | | |
|------------|------|------------|------|------------|------|------------|------|
| MODEL | MARK | MODEL | MARK | MODEL | MARK | MODEL | MARK |
| DNX4150BT | E4 | DNX4150BT | M1 | DNX4150BT | R2 | DNX4150BT | X2 |
| DNX4150BTM | M2 | DNX4150BTR | Q1 | DNX4150DAB | E3 | DNX4150DAB | X1 |
| DNX572BH | K3 | DNX692 | K2 | | | | |

| Safe | Symbol No. | Parts No. | Parts Name | Description | QTY | Local |
|------|------------|---------------|--------------|---------------|-----|-------|
| | R747 | RK73HB1J220J | MG RESISTOR | 22Ω 1/16W J | 1 | |
| | R750 | RK73HB1J220J | MG RESISTOR | 22Ω 1/16W J | 1 | |
| | R751 | RK73HB1J220J | MG RESISTOR | 22Ω 1/16W J | 1 | |
| | R754 | RK73HB1J220J | MG RESISTOR | 22Ω 1/16W J | 1 | |
| | R758 | RK73HB1J101J | MG RESISTOR | 100Ω 1/16W J | 1 | |
| | R759 | RK73HB1J101J | MG RESISTOR | 100Ω 1/16W J | 1 | |
| | R760 | RK73HB1J101J | MG RESISTOR | 100Ω 1/16W J | 1 | |
| | R761 | RK73HB1J220J | MG RESISTOR | 22Ω 1/16W J | 1 | |
| | R762 | RK73HB1J220J | MG RESISTOR | 22Ω 1/16W J | 1 | |
| | R767 | RK73HB1J220J | MG RESISTOR | 22Ω 1/16W J | 1 | |
| | R768 | RK73HB1J220J | MG RESISTOR | 22Ω 1/16W J | 1 | |
| | R769 | RK73HB1J220J | MG RESISTOR | 22Ω 1/16W J | 1 | |
| | R770 | RK73HB1J220J | MG RESISTOR | 22Ω 1/16W J | 1 | |
| | R771 | RK73HB1J103J | MG RESISTOR | 10kΩ 1/16W J | 1 | |
| | R775 | RK73HH1J44R2D | MG RESISTOR | 44.2Ω 1/16W D | 1 | |
| | R776 | RK73HH1J44R2D | MG RESISTOR | 44.2Ω 1/16W D | 1 | |
| | R777 | RK73HB1J472J | MG RESISTOR | 4.7kΩ 1/16W J | 1 | |
| | R778 | RK73HB1J472J | MG RESISTOR | 4.7kΩ 1/16W J | 1 | |
| | R779 | RK73HB1J472J | MG RESISTOR | 4.7kΩ 1/16W J | 1 | |
| | R781 | RK73HB1J222J | MG RESISTOR | 2.2kΩ 1/16W J | 1 | |
| | R782 | RK73HB1J222J | MG RESISTOR | 2.2kΩ 1/16W J | 1 | |
| | R784 | RK73HB1J220J | MG RESISTOR | 22Ω 1/16W J | 1 | |
| | R789 | RK73HB1J222J | MG RESISTOR | 2.2kΩ 1/16W J | 1 | |
| | R790 | RK73GB2A106J | MG RESISTOR | 10MΩ 1/10W J | 1 | |
| | R791 | RK73HB1J334J | MG RESISTOR | 330kΩ 1/16W J | 1 | |
| | R792 | RK73HB1J182J | MG RESISTOR | 1.8kΩ 1/16W J | 1 | |
| | R793 | RK73HB1J182J | MG RESISTOR | 1.8kΩ 1/16W J | 1 | |
| | R794 | RK73HB1J223J | MG RESISTOR | 22kΩ 1/16W J | 1 | |
| | R795 | RK73HB1J223J | MG RESISTOR | 22kΩ 1/16W J | 1 | |
| | R796 | RK73HB1J223J | MG RESISTOR | 22kΩ 1/16W J | 1 | |
| | R799 | RK73HB1J105J | MG RESISTOR | 1MΩ 1/16W J | 1 | |
| | R800 | RK73HB1J000J | MG RESISTOR | 0Ω 1/16W J | 1 | |
| | R801 | RK73HB1J102J | MG RESISTOR | 1kΩ 1/16W J | 1 | |
| | R804 | RK73HB1J102J | MG RESISTOR | 1kΩ 1/16W J | 1 | |
| | R806 | RK73HB1J102J | MG RESISTOR | 1kΩ 1/16W J | 1 | |
| | R807 | RK73HB1J103J | MG RESISTOR | 10kΩ 1/16W J | 1 | |
| | R808 | RK73HB1J223J | MG RESISTOR | 22kΩ 1/16W J | 1 | |
| | R809 | RK73HB1J220J | MG RESISTOR | 22Ω 1/16W J | 1 | |
| | R810 | RK73HB1J223J | MG RESISTOR | 22kΩ 1/16W J | 1 | |
| | R811 | RK73HB1J220J | MG RESISTOR | 22Ω 1/16W J | 1 | |
| | R812 | RK73HB1J473J | MG RESISTOR | 47kΩ 1/16W J | 1 | |
| | R813 | RK73HB1J220J | MG RESISTOR | 22Ω 1/16W J | 1 | |
| | R814 | RK73HB1J222J | MG RESISTOR | 2.2kΩ 1/16W J | 1 | |
| | R817 | RK73HB1J220J | MG RESISTOR | 22Ω 1/16W J | 1 | |
| | R818 | RK73HB1J220J | MG RESISTOR | 22Ω 1/16W J | 1 | |
| | R819 | RK73HB1J473J | MG RESISTOR | 47kΩ 1/16W J | 1 | |
| | R820 | RK73HB1J220J | MG RESISTOR | 22Ω 1/16W J | 1 | |
| | R821 | RK73HB1J220J | MG RESISTOR | 22Ω 1/16W J | 1 | |
| | R823 | RK73HB1J220J | MG RESISTOR | 22Ω 1/16W J | 1 | |
| | R824 | RK73HB1J222J | MG RESISTOR | 2.2kΩ 1/16W J | 1 | |
| | R828 | RK73HB1J220J | MG RESISTOR | 22Ω 1/16W J | 1 | |
| | R829 | RK73HB1J220J | MG RESISTOR | 22Ω 1/16W J | 1 | |
| | R830 | RK73HB1J220J | MG RESISTOR | 22Ω 1/16W J | 1 | |
| | R831 | RK73HB1J220J | MG RESISTOR | 22Ω 1/16W J | 1 | |
| | R832 | RK73HB1J220J | MG RESISTOR | 22Ω 1/16W J | 1 | |
| | R833 | RK73HB1J473J | MG RESISTOR | 47kΩ 1/16W J | 1 | |
| | R834 | RK73HB1J220J | MG RESISTOR | 22Ω 1/16W J | 1 | |
| | R835 | RK73HB1J220J | MG RESISTOR | 22Ω 1/16W J | 1 | |
| | R836 | RK73HB1J220J | MG RESISTOR | 22Ω 1/16W J | 1 | |
| | R837 | RK73HB1J220J | MG RESISTOR | 22Ω 1/16W J | 1 | |
| | R840 | RK73HB1J272J | MG RESISTOR | 2.7kΩ 1/16W J | 1 | |
| | R841 | RK73HB1J102J | MG RESISTOR | 1kΩ 1/16W J | 1 | |
| | R842 | RK73HB1J102J | MG RESISTOR | 1kΩ 1/16W J | 1 | |
| | R844 | RK73HB1J220J | MG RESISTOR | 22Ω 1/16W J | 1 | |
| | R845 | RK73HB1J220J | MG RESISTOR | 22Ω 1/16W J | 1 | |
| | R846 | RK73HB1J220J | MG RESISTOR | 22Ω 1/16W J | 1 | |
| | R847 | RK73HB1J220J | MG RESISTOR | 22Ω 1/16W J | 1 | |
| | R848 | RK73HB1J223J | MG RESISTOR | 22kΩ 1/16W J | 1 | |
| | R849 | RK73HB1J220J | MG RESISTOR | 22Ω 1/16W J | 1 | |
| | R851 | RK73HB1J223J | MG RESISTOR | 22kΩ 1/16W J | 1 | |
| | R852 | RK73HB1J223J | MG RESISTOR | 22kΩ 1/16W J | 1 | |
| | R853 | RK73HB1J220J | MG RESISTOR | 22Ω 1/16W J | 1 | |
| | R870 | RK73HB1J272J | MG RESISTOR | 2.7kΩ 1/16W J | 1 | |
| | R871 | RK73HB1J223J | MG RESISTOR | 22kΩ 1/16W J | 1 | |
| | R901 | RK73HB1J223J | MG RESISTOR | 22kΩ 1/16W J | 1 | |
| | R910 | RK73HB1J272J | MG RESISTOR | 2.7kΩ 1/16W J | 1 | |
| | R925 | RK73HB1J473J | MG RESISTOR | 47kΩ 1/16W J | 1 | |
| | R936 | RK73HB1J000J | MG RESISTOR | 0Ω 1/16W J | 1 | |
| | R937 | RK73HB1J000J | MG RESISTOR | 0Ω 1/16W J | 1 | |
| | R939 | RK73HB1J000J | MG RESISTOR | 0Ω 1/16W J | 1 | |
| | R940 | RK73HB1J000J | MG RESISTOR | 0Ω 1/16W J | 1 | |
| | R946 | RK73HB1J220J | MG RESISTOR | 22Ω 1/16W J | 1 | K2 |
| | R947 | RK73HB1J220J | MG RESISTOR | 22Ω 1/16W J | 1 | K2 |
| | R948 | RK73GB2A000J | MG RESISTOR | 0Ω 1/10W J | 1 | K2 |
| | R949 | RK73GB2A000J | MG RESISTOR | 0Ω 1/10W J | 1 | |
| | R950 | RK73HB1J223J | MG RESISTOR | 22kΩ 1/16W J | 1 | |
| | RA3 | RK74HB1J220J | NET RESISTOR | 22Ω 1/16W J | 1 | |
| | RA4 | RK74HB1J220J | NET RESISTOR | 22Ω 1/16W J | 1 | |
| | RA5 | RK74HB1J220J | NET RESISTOR | 22Ω 1/16W J | 1 | |
| | RA6 | RK74HB1J220J | NET RESISTOR | 22Ω 1/16W J | 1 | |
| | RA7 | RK74HB1J220J | NET RESISTOR | 22Ω 1/16W J | 1 | |
| | RA8 | RK74HB1J220J | NET RESISTOR | 22Ω 1/16W J | 1 | |

| MODEL | MARK | MODEL | MARK | MODEL | MARK | MODEL | MARK |
|------------|------|------------|------|------------|------|------------|------|
| DNX4150BT | E4 | DNX4150BT | M1 | DNX4150BT | R2 | DNX4150BT | X2 |
| DNX4150BTM | M2 | DNX4150BTR | Q1 | DNX4150DAB | E3 | DNX4150DAB | X1 |
| DNX572BH | K3 | DNX692 | K2 | | | | |

| Safe | Symbol No. | Parts No. | Parts Name | Description | QTY | Local |
|------|------------|-----------|------------|-------------|-----|-------|
|------|------------|-----------|------------|-------------|-----|-------|

| | | | | | |
|-------|---------------|----------------|----------------|---|----|
| RA101 | RK74HB1J330J | NET RESISTOR | 33Ω 1/16W J | 1 | |
| RA102 | RK74HB1J330J | NET RESISTOR | 33Ω 1/16W J | 1 | |
| RA400 | RK74HB1J473J | NET RESISTOR | 47kΩ 1/16W J | 1 | |
| RA501 | RK74HB1J220J | NET RESISTOR | 22Ω 1/16W J | 1 | |
| RA502 | RK74HB1J220J | NET RESISTOR | 22Ω 1/16W J | 1 | |
| RA503 | RK74HB1J220J | NET RESISTOR | 22Ω 1/16W J | 1 | |
| RA504 | RK74HB1J220J | NET RESISTOR | 22Ω 1/16W J | 1 | |
| RA505 | RK74HB1J220J | NET RESISTOR | 22Ω 1/16W J | 1 | |
| RA506 | RK74HB1J220J | NET RESISTOR | 22Ω 1/16W J | 1 | |
| RA507 | RK74HB1J220J | NET RESISTOR | 22Ω 1/16W J | 1 | |
| RA508 | RK74HB1J220J | NET RESISTOR | 22Ω 1/16W J | 1 | |
| RA700 | RK74HB1J220J | NET RESISTOR | 22Ω 1/16W J | 1 | |
| RA900 | RK74HB1J473J | NET RESISTOR | 47kΩ 1/16W J | 1 | |
| L1 | LB73G0BK-002 | CHIP FERRITE | | 1 | |
| L2 | LB73G0BK-002 | CHIP FERRITE | | 1 | |
| L3 | LB73G0BK-002 | CHIP FERRITE | | 1 | |
| L10 | LB73G0BK-002 | CHIP FERRITE | | 1 | |
| L101 | LB73G0BB-001 | CHIP FERRITE | | 1 | |
| L102 | LB73G0BB-001 | CHIP FERRITE | | 1 | |
| L103 | LB73G0BB-001 | CHIP FERRITE | | 1 | |
| L200 | LB73G0BK-002 | CHIP FERRITE | | 1 | |
| L202 | LB73G0BK-002 | CHIP FERRITE | | 1 | |
| L203 | LB73G0BK-002 | CHIP FERRITE | | 1 | |
| L204 | LB73G0BK-002 | CHIP FERRITE | | 1 | |
| L205 | LB73G0BK-002 | CHIP FERRITE | | 1 | |
| L206 | LB73G0BK-002 | CHIP FERRITE | | 1 | |
| L208 | LB73G0BK-002 | CHIP FERRITE | | 1 | |
| L209 | LB73G0BK-002 | CHIP FERRITE | | 1 | |
| L211 | LB73G0BK-002 | CHIP FERRITE | | 1 | |
| L212 | LB73G0BK-002 | CHIP FERRITE | | 1 | |
| L213 | LB73G0BK-002 | CHIP FERRITE | | 1 | |
| L215 | LB73G0BK-002 | CHIP FERRITE | | 1 | |
| L500 | LB73G0BK-002 | CHIP FERRITE | | 1 | |
| L501 | LB73G0BK-002 | CHIP FERRITE | | 1 | |
| L502 | LB73G0BK-002 | CHIP FERRITE | | 1 | |
| L503 | LB73G0BK-002 | CHIP FERRITE | | 1 | |
| L504 | LB73G0BK-002 | CHIP FERRITE | | 1 | |
| L700 | LB73G0BK-002 | CHIP FERRITE | | 1 | |
| L901 | LB73G0BK-002 | CHIP FERRITE | | 1 | |
| L904 | NQR0654-001X | EMI FILTER | | 1 | |
| L905 | NQR0654-001X | EMI FILTER | | 1 | K2 |
| CN101 | QGF0534F7-60X | FFC/FPC CONNE | FFC/FPC (1-60) | 1 | |
| CN102 | QGA1002C1-04X | W TO B CONNE | W-B (1-4) | 1 | |
| CN400 | QGF0534F6-20X | FFC/FPC CONNE | FFC/FPC (1-20) | 1 | |
| CN601 | QGB0812M9-70X | B TO B CONNE | B-B (1-70) | 1 | |
| CN604 | QGF0534F7-14X | FFC/FPC CONNE | FFC/FPC (1-14) | 1 | |
| CN901 | QGA1217F1-10X | W TO B CONNE | W-B (1-10) | 1 | K2 |
| CN903 | QGA2001F6-05X | W TO B CONNE | W-B (1-5) | 1 | |
| CN904 | QGA1002C1-04X | W TO B CONNE | W-B (1-4) | 1 | |
| J900 | NN20303-001X | MICRO SD CONNE | | 1 | |
| X101 | NAX1260-001X | CRYSTAL | | 1 | |
| X700 | NAX1256-001X | CRYSTAL | | 1 | |
| X701 | NAX1240-001X | CRYSTAL | | 1 | |

DIGITAL IO PWB ASSY (XJA-0160-10) <03>

| | | | | | |
|-------|----------------|-----------------|-------------|---|--|
| IC101 | THS8136PHP | MOS IC | | 1 | |
| IC102 | XC6223B331PG-X | IC | | 1 | |
| IC103 | TC7SG04FU-X | IC | | 1 | |
| IC104 | XC6223B181PG-X | IC | | 1 | |
| IC105 | TC7SG86FU-X | IC(DIGITAL) | | 1 | |
| IC106 | XC6223B121PG-X | IC | | 1 | |
| IC111 | XC6223B331PG-X | IC | | 1 | |
| IC120 | TC7WP3125FKF | MOS IC | | 1 | |
| IC121 | TC7WP3125FKF | MOS IC | | 1 | |
| IC701 | IT68013FN/BX | MOS IC | | 1 | |
| Q103 | LTA014YUBFS8 | DIGI TRANSISTOR | | 1 | |
| Q104 | LTC014YUBFS8 | DIGI TRANSISTOR | | 1 | |
| Q105 | 2SB1697-W | TRANSISTOR | | 1 | |
| Q106 | LTC014YUBFS8 | DIGI TRANSISTOR | | 1 | |
| Q107 | LTA043ZUBFS8 | DIGI TRANSISTOR | | 1 | |
| Q702 | 2SK3019-X | MOS FET | | 1 | |
| D701 | DA2J101 | DIODE | | 1 | |
| C100 | CK73HBB1A104K | C CAPACITOR | 0.1uF 10V K | 1 | |
| C101 | CK73HBB1A104K | C CAPACITOR | 0.1uF 10V K | 1 | |
| C102 | CK73FXR0J226M | C CAPACITOR | 22uF 6.3V M | 1 | |
| C103 | CK73HBB1A104K | C CAPACITOR | 0.1uF 10V K | 1 | |
| C104 | CK73HBB1A104K | C CAPACITOR | 0.1uF 10V K | 1 | |
| C105 | CK73HBB1A104K | C CAPACITOR | 0.1uF 10V K | 1 | |
| C106 | CK73HXR0J105K | C CAPACITOR | 1uF 6.3V K | 1 | |
| C107 | CK73HBB1A104K | C CAPACITOR | 0.1uF 10V K | 1 | |
| C108 | CK73HXR0J105K | C CAPACITOR | 1uF 6.3V K | 1 | |
| C109 | CK73HBB1A104K | C CAPACITOR | 0.1uF 10V K | 1 | |
| C110 | CK73GXR0J106M | C CAPACITOR | 10uF 6.3V M | 1 | |
| C111 | CK73HXR0J105K | C CAPACITOR | 1uF 6.3V K | 1 | |
| C112 | CK73HXR0J105K | C CAPACITOR | 1uF 6.3V K | 1 | |
| C117 | CK73FXR0J226M | C CAPACITOR | 22uF 6.3V M | 1 | |
| C118 | CK73FXR0J226M | C CAPACITOR | 22uF 6.3V M | 1 | |
| C119 | CK73GXR0J106M | C CAPACITOR | 10uF 6.3V M | 1 | |
| C120 | CK73GXR0J106M | C CAPACITOR | 10uF 6.3V M | 1 | |
| C121 | CK73GXR0J106M | C CAPACITOR | 10uF 6.3V M | 1 | |
| C122 | CK73HBB1A104K | C CAPACITOR | 0.1uF 10V K | 1 | |
| C123 | CK73HBB1A104K | C CAPACITOR | 0.1uF 10V K | 1 | |

| MODEL | MARK | MODEL | MARK | MODEL | MARK | MODEL | MARK |
|------------|------|------------|------|------------|------|------------|------|
| DNX4150BT | E4 | DNX4150BT | M1 | DNX4150BT | R2 | DNX4150BT | X2 |
| DNX4150BTM | M2 | DNX4150BTR | Q1 | DNX4150DAB | E3 | DNX4150DAB | X1 |
| DNX572BH | K3 | DNX692 | K2 | | | | |

| Safe | Symbol No. | Parts No. | Parts Name | Description | QTY | Local |
|------|------------|---------------|-------------|---------------|-----|-------|
| | C124 | CK73HBB1A104K | C CAPACITOR | 0.1uF 10V K | 1 | |
| | C125 | CK73HBB1A104K | C CAPACITOR | 0.1uF 10V K | 1 | |
| | C139 | CK73HBB1A104K | C CAPACITOR | 0.1uF 10V K | 1 | |
| | C140 | CK73EXR0J476M | C CAPACITOR | 47uF 6.3V M | 1 | |
| | C146 | CK73HBB1C473K | C CAPACITOR | 0.047uF 16V K | 1 | |
| | C156 | CK73HXR0J105K | C CAPACITOR | 1uF 6.3V K | 1 | |
| | C157 | CK73HXR0J105K | C CAPACITOR | 1uF 6.3V K | 1 | |
| | C700 | CK73HBB1A104K | C CAPACITOR | 0.1uF 10V K | 1 | |
| | C701 | CC73HCH1H470J | C CAPACITOR | 47pF 50V J | 1 | |
| | C702 | CK73HBB1A104K | C CAPACITOR | 0.1uF 10V K | 1 | |
| | C703 | CC73HCH1H470J | C CAPACITOR | 47pF 50V J | 1 | |
| | C704 | CK73HBB1A104K | C CAPACITOR | 0.1uF 10V K | 1 | |
| | C705 | CK73HBB1A104K | C CAPACITOR | 0.1uF 10V K | 1 | |
| | C706 | CK73HBB1H102K | C CAPACITOR | 1000pF 50V K | 1 | |
| | C707 | CK73HBB1A104K | C CAPACITOR | 0.1uF 10V K | 1 | |
| | C708 | CK73HBB1A104K | C CAPACITOR | 0.1uF 10V K | 1 | |
| | C709 | CK73HBB1A104K | C CAPACITOR | 0.1uF 10V K | 1 | |
| | C710 | CK73HBB1A104K | C CAPACITOR | 0.1uF 10V K | 1 | |
| | C711 | CK73HBB1A104K | C CAPACITOR | 0.1uF 10V K | 1 | |
| | C712 | CK73HBB1A104K | C CAPACITOR | 0.1uF 10V K | 1 | |
| | C713 | CK73HBB1A104K | C CAPACITOR | 0.1uF 10V K | 1 | |
| | C714 | CK73HBB1A104K | C CAPACITOR | 0.1uF 10V K | 1 | |
| | C715 | CK73HBB1A104K | C CAPACITOR | 0.1uF 10V K | 1 | |
| | C716 | CK73HBB1A104K | C CAPACITOR | 0.1uF 10V K | 1 | |
| | C717 | CK73HBB1A104K | C CAPACITOR | 0.1uF 10V K | 1 | |
| | C718 | CC73HCH1H080D | C CAPACITOR | 8pF 50V D | 1 | |
| | C719 | CC73HCH1H080D | C CAPACITOR | 8pF 50V D | 1 | |
| | C720 | CK73HBB1A104K | C CAPACITOR | 0.1uF 10V K | 1 | |
| | C721 | CK73HBB1A104K | C CAPACITOR | 0.1uF 10V K | 1 | |
| | C722 | CK73HBB1A104K | C CAPACITOR | 0.1uF 10V K | 1 | |
| | C723 | CK73HBB1H102K | C CAPACITOR | 1000pF 50V K | 1 | |
| | C724 | CK73HXR0J105K | C CAPACITOR | 1uF 6.3V K | 1 | |
| | C725 | CK73HXR0J105K | C CAPACITOR | 1uF 6.3V K | 1 | |
| | C726 | CK73HXR0J105K | C CAPACITOR | 1uF 6.3V K | 1 | |
| | C727 | CK73HXR0J105K | C CAPACITOR | 1uF 6.3V K | 1 | |
| | C728 | CK73HXR0J105K | C CAPACITOR | 1uF 6.3V K | 1 | |
| | C729 | CC73HCH1H561J | C CAPACITOR | 560pF 50V J | 1 | |
| | R100 | RK73HB1J000J | MG RESISTOR | 0Ω 1/16W J | 1 | |
| | R101 | RK73HB1J000J | MG RESISTOR | 0Ω 1/16W J | 1 | |
| | R102 | RK73HB1J000J | MG RESISTOR | 0Ω 1/16W J | 1 | |
| | R103 | RK73HH1J750D | MG RESISTOR | 75Ω 1/16W D | 1 | |
| | R104 | RK73HH1J750D | MG RESISTOR | 75Ω 1/16W D | 1 | |
| | R105 | RK73HH1J750D | MG RESISTOR | 75Ω 1/16W D | 1 | |
| | R106 | RK73HH1J201D | MG RESISTOR | 200Ω 1/16W D | 1 | |
| | R107 | RK73HB1J223J | MG RESISTOR | 22kΩ 1/16W J | 1 | |
| | R108 | RK73GB2A000J | MG RESISTOR | 0Ω 1/10W J | 1 | |
| | R109 | RK73HB1J223J | MG RESISTOR | 22kΩ 1/16W J | 1 | |
| | R110 | RK73GH2A362D | MG RESISTOR | 3.6kΩ 1/10W D | 1 | |
| | R111 | RK73HB1J100J | MG RESISTOR | 10Ω 1/16W J | 1 | |
| | R116 | RK73HB1J223J | MG RESISTOR | 22kΩ 1/16W J | 1 | |
| | R117 | RK73HB1J223J | MG RESISTOR | 22kΩ 1/16W J | 1 | |
| | R118 | RK73GB2A000J | MG RESISTOR | 0Ω 1/10W J | 1 | |
| | R119 | RK73GB2A000J | MG RESISTOR | 0Ω 1/10W J | 1 | |
| | R120 | RK73GB2A000J | MG RESISTOR | 0Ω 1/10W J | 1 | |
| | R122 | RK73GB2A000J | MG RESISTOR | 0Ω 1/10W J | 1 | |
| | R123 | RK73HB1J473J | MG RESISTOR | 47kΩ 1/16W J | 1 | |
| | R150 | RK73HB1J225J | MG RESISTOR | 2.2MΩ 1/16W J | 1 | |
| | R154 | RK73FB2B000J | MG RESISTOR | 0Ω 1/8W J | 1 | |
| | R167 | RK73HB1J101J | MG RESISTOR | 100Ω 1/16W J | 1 | |
| | R169 | RK73HB1J304J | MG RESISTOR | 300kΩ 1/16W J | 1 | |
| | R175 | RK73HB1J000J | MG RESISTOR | 0Ω 1/16W J | 1 | |
| | R176 | RK73GB2A391J | MG RESISTOR | 390Ω 1/10W J | 1 | |
| | R177 | RK73HB1J223J | MG RESISTOR | 22kΩ 1/16W J | 1 | |
| | R185 | RK73GB2A000J | MG RESISTOR | 0Ω 1/10W J | 1 | |
| | R186 | RK73GB2A000J | MG RESISTOR | 0Ω 1/10W J | 1 | |
| | R187 | RK73GB2A000J | MG RESISTOR | 0Ω 1/10W J | 1 | |
| | R188 | RK73GB2A000J | MG RESISTOR | 0Ω 1/10W J | 1 | |
| | R189 | RK73GB2A000J | MG RESISTOR | 0Ω 1/10W J | 1 | |
| | R195 | RK73GB2A000J | MG RESISTOR | 0Ω 1/10W J | 1 | |
| | R196 | RK73GB2A000J | MG RESISTOR | 0Ω 1/10W J | 1 | |
| | R198 | RK73GB2A102J | MG RESISTOR | 1kΩ 1/10W J | 1 | |
| | R199 | RK73HB1J000J | MG RESISTOR | 0Ω 1/16W J | 1 | |
| | R700 | RK73HB1J330J | MG RESISTOR | 33Ω 1/16W J | 1 | |
| | R701 | RK73HB1J330J | MG RESISTOR | 33Ω 1/16W J | 1 | |
| | R702 | RK73HB1J330J | MG RESISTOR | 33Ω 1/16W J | 1 | |
| | R703 | RK73HB1J330J | MG RESISTOR | 33Ω 1/16W J | 1 | |
| | R705 | RK73HB1J472J | MG RESISTOR | 4.7kΩ 1/16W J | 1 | |
| | R706 | RK73HB1J302J | MG RESISTOR | 3kΩ 1/16W J | 1 | |
| | R707 | RK73HB1J362J | MG RESISTOR | 3.6kΩ 1/16W J | 1 | |
| | R708 | RK73HB1J330J | MG RESISTOR | 33Ω 1/16W J | 1 | |
| | R710 | RK73HB1J330J | MG RESISTOR | 33Ω 1/16W J | 1 | |
| | R711 | RK73HB1J332J | MG RESISTOR | 3.3kΩ 1/16W J | 1 | |
| | R713 | RK73HB1J330J | MG RESISTOR | 33Ω 1/16W J | 1 | |
| | R715 | RK73HB1J330J | MG RESISTOR | 33Ω 1/16W J | 1 | |
| | R716 | RK73HB1J101J | MG RESISTOR | 100Ω 1/16W J | 1 | |
| | R717 | RK73HB1J101J | MG RESISTOR | 100Ω 1/16W J | 1 | |
| | R718 | RK73HB1J330J | MG RESISTOR | 33Ω 1/16W J | 1 | |
| | R719 | RK73HB1J302J | MG RESISTOR | 3kΩ 1/16W J | 1 | |

| MODEL | MARK | MODEL | MARK | MODEL | MARK | MODEL | MARK |
|------------|------|------------|------|------------|------|------------|------|
| DNX4150BT | E4 | DNX4150BT | M1 | DNX4150BT | R2 | DNX4150BT | X2 |
| DNX4150BTM | M2 | DNX4150BTR | Q1 | DNX4150DAB | E3 | DNX4150DAB | X1 |
| DNX572BH | K3 | DNX692 | K2 | | | | |

| Safe | Symbol No. | Parts No. | Parts Name | Description | QTY | Local |
|-----------------------------------|------------|----------------|-----------------|---------------|-----|-------------------------|
| | R720 | RK73HB1J152J | MG RESISTOR | 1.5kΩ 1/16W J | 1 | |
| | R731 | RK73HB1J330J | MG RESISTOR | 33Ω 1/16W J | 1 | |
| | R732 | RK73HB1J330J | MG RESISTOR | 33Ω 1/16W J | 1 | |
| | R735 | RK73HB1J000J | MG RESISTOR | 0Ω 1/16W J | 1 | |
| | R740 | RK73HB1J000J | MG RESISTOR | 0Ω 1/16W J | 1 | |
| | R741 | RK73HB1J105J | MG RESISTOR | 1MΩ 1/16W J | 1 | |
| | R742 | RK73HB1J000J | MG RESISTOR | 0Ω 1/16W J | 1 | |
| | R750 | RK73HB1J330J | MG RESISTOR | 33Ω 1/16W J | 1 | |
| | R751 | RK73HB1J330J | MG RESISTOR | 33Ω 1/16W J | 1 | |
| | R752 | RK73HB1J330J | MG RESISTOR | 33Ω 1/16W J | 1 | |
| | R753 | RK73HB1J330J | MG RESISTOR | 33Ω 1/16W J | 1 | |
| | R755 | RK73HB1J330J | MG RESISTOR | 33Ω 1/16W J | 1 | |
| | R776 | RK73HB1J473J | MG RESISTOR | 47kΩ 1/16W J | 1 | |
| | R778 | RK73HB1J103J | MG RESISTOR | 10kΩ 1/16W J | 1 | |
| | R779 | RK73HB1J103J | MG RESISTOR | 10kΩ 1/16W J | 1 | |
| | RA700 | RK74HB1J330J | NET RESISTOR | 33Ω 1/16W J | 1 | |
| | RA701 | RK74HB1J330J | NET RESISTOR | 33Ω 1/16W J | 1 | |
| | RA702 | RK74HB1J330J | NET RESISTOR | 33Ω 1/16W J | 1 | |
| | RA703 | RK74HB1J330J | NET RESISTOR | 33Ω 1/16W J | 1 | |
| | RA704 | RK74HB1J330J | NET RESISTOR | 33Ω 1/16W J | 1 | |
| | RA705 | RK74HB1J330J | NET RESISTOR | 33Ω 1/16W J | 1 | |
| | CN100 | QGB0803J2-40X | B TO B CONNE | B-B (1-40) | 1 | |
| | J100 | NNZ0292-001X | HDMI CONNECTOR | | 1 | |
| | VA103 | NAF0042-270X | VARIATOR(ZNR) | | 1 | |
| | VA106 | NAF0042-270X | VARIATOR(ZNR) | | 1 | |
| | VA110 | NAF0031-001X | ESD SUPPRESSOR | | 1 | |
| | VA111 | NAF0031-001X | ESD SUPPRESSOR | | 1 | |
| | X700 | L7J-0052-00 | QUARTZ CRYSTAL | | 1 | |
| AUDIO PWB ASSY (XJ6-014x-xx) <04> | | | | | | |
| | IC1 | LV5680NPVC-H | MOS IC | | 1 | |
| | IC41 | XC6223B331PG-X | IC | | 1 | |
| | IC101 | JCV8031 | IC | | 1 | |
| | IC201 | TDA7715 | ANALOG IC | | 1 | |
| | IC261 | AN15863UA-X | IC | | 1 | |
| | IC301 | XC6223B331PG-X | IC | | 1 | |
| | IC361 | W3F-0031-00 | IC(MCU) | | 1 | E3,X1 |
| | IC401 | SI4706-D50-GMX | IC | | 1 | E4,M1,R2,M2,Q1,E3 |
| | IC511 | TC7SET32FU-X | IC(DIGITAL) | OR | 1 | E4,Q1,E3,K3,K2 |
| | IC512 | TC7SH17FUF | MOS IC | | 1 | E4,Q1,E3,K3,K2 |
| | IC601 | NJW1240V-X | IC | | 1 | M1,X2,M2,X1,K2 |
| | IC701 | AK7601AVQ-W | IC | | 1 | M1,X2,M2,X1,K2 |
| | IC702 | AK7600VF-X | IC | | 1 | E4,R2,Q1,E3,K3 |
| | Q31 | LSCR523UBFS8 | TRANSISTOR | | 1 | |
| | Q32 | LSAR523UBFS8 | TRANSISTOR | | 1 | |
| | Q51 | LTC024EUBFS8 | DIGI TRANSISTOR | | 1 | |
| | Q151 | LTC014YUBFS8 | DIGI TRANSISTOR | | 1 | |
| | Q152 | LTA043ZUBFS8 | DIGI TRANSISTOR | | 1 | |
| | Q155 | LTC014YUBFS8 | DIGI TRANSISTOR | | 1 | |
| | Q156 | LTA043ZUBFS8 | DIGI TRANSISTOR | | 1 | |
| | Q161 | LTC043TUBFS8 | DIGI TRANSISTOR | | 1 | |
| | Q162 | LTC043TUBFS8 | DIGI TRANSISTOR | | 1 | |
| | Q163 | LTC043TUBFS8 | DIGI TRANSISTOR | | 1 | |
| | Q164 | LTC043TUBFS8 | DIGI TRANSISTOR | | 1 | |
| | Q165 | LTC043TUBFS8 | DIGI TRANSISTOR | | 1 | |
| | Q191 | LTA043ZUBFS8 | DIGI TRANSISTOR | | 1 | |
| | Q193 | LTC043TUBFS8 | DIGI TRANSISTOR | | 1 | |
| | Q194 | LTC043TUBFS8 | DIGI TRANSISTOR | | 1 | |
| | Q271 | SSM3K15AMFVF | FET | | 1 | |
| | Q272 | SSM3K15AMFVF | FET | | 1 | |
| | Q391 | 2SB1424/R-W | TRANSISTOR | | 1 | X1 |
| | Q392 | LTC014YUBFS8 | DIGI TRANSISTOR | | 1 | X1 |
| | Q451 | 3SK291F | FET | | 1 | E4,M1,R2,M2,Q1,E3 |
| | Q551 | RE1C002ZP-X | MOS FET | | 1 | E4,M1,R2,X2,M2,Q1,E3,X1 |
| | Q561 | RE1C002ZP-X | MOS FET | | 1 | E4,M1,R2,X2,M2,Q1,E3,X1 |
| | Q571 | LTC014YUBFS8 | DIGI TRANSISTOR | | 1 | E4,M1,R2,X2,M2,Q1,E3,X1 |
| | Q731 | RE1C002ZP-X | MOS FET | | 1 | |
| | Q732 | LTC014YUBFS8 | DIGI TRANSISTOR | | 1 | |
| | D1 | 1N5402-BPC04 | DIODE | | 1 | |
| | D2 | GS1J-LTP | DIODE | | 1 | E4,M1,M2,Q1,E3 |
| | D32 | DZ2J110M | ZENER DIODE | | 1 | |
| | D41 | GS1J-LTP | DIODE | | 1 | |
| | D42 | GS1J-LTP | DIODE | | 1 | M1,R2,X2,M2,X1,K3,K2 |
| | D43 | GS1J-LTP | DIODE | | 1 | |
| | D44 | GS1J-LTP | DIODE | | 1 | M1,R2,X2,M2,X1,K3,K2 |
| | D61 | DZ2J062M | ZENER DIODE | | 1 | |
| | D71 | MC2846-X | SI DIODE | | 1 | |
| | D101 | MC2846-X | SI DIODE | | 1 | |
| | D151 | MC2846-X | SI DIODE | | 1 | |
| | D155 | MC2846-X | SI DIODE | | 1 | |
| | D191 | MC2846-X | SI DIODE | | 1 | |
| | D202 | DA2J101 | DIODE | | 1 | |
| | D203 | MC2846-X | SI DIODE | | 1 | |
| | D204 | MC2846-X | SI DIODE | | 1 | |
| | D205 | MC2846-X | SI DIODE | | 1 | |
| | D302 | GS1J-LTP | DIODE | | 1 | |
| | D381 | DZ2J033M | ZENER DIODE | | 1 | E3,X1 |
| | D552 | MC2848-X | SI DIODE | | 1 | E4,M1,R2,X2,M2,Q1,E3,X1 |

| | | | | | | | |
|------------|------|------------|------|------------|------|------------|------|
| MODEL | MARK | MODEL | MARK | MODEL | MARK | MODEL | MARK |
| DNX4150BT | E4 | DNX4150BT | M1 | DNX4150BT | R2 | DNX4150BT | X2 |
| DNX4150BTM | M2 | DNX4150BTR | Q1 | DNX4150DAB | E3 | DNX4150DAB | X1 |
| DNX572BH | K3 | DNX692 | K2 | | | | |

| Safe | Symbol No. | Parts No. | Parts Name | Description | QTY | Local |
|------|------------|----------------|-------------|---------------|-----|----------------------|
| | C1 | CD04AZ1C332M2 | E CAPACITOR | 3300uF 16V M | 1 | |
| | C11 | CE32CB1V101M | E CAPACITOR | 100uF 35V M | 1 | |
| | C12 | CK73HBB1H103K | C CAPACITOR | 0.01uF 50V K | 1 | |
| | C14 | CE32CB1C470M | E CAPACITOR | 47uF 16V M | 1 | |
| | C15 | CE32CB1A101M | E CAPACITOR | 100uF 10V M | 1 | |
| | C16 | CE32CC1C221M | E CAPACITOR | 220uF 16V M | 1 | |
| | C18 | CK73EXR1E106K | C CAPACITOR | 10uF 25V K | 1 | M1,R2,X2,M2,E3,X1,K3 |
| | C19 | CK73EXR1E106K | C CAPACITOR | 10uF 25V K | 1 | ,K2 |
| | C21 | CK73GBB1H104K | C CAPACITOR | 0.1uF 50V K | 1 | |
| | C24 | CK73GBB1H104K | C CAPACITOR | 0.1uF 50V K | 1 | |
| | C25 | CK73GBB1C224K | C CAPACITOR | 0.22uF 16V K | 1 | |
| | C26 | CK73HBB1A104K | C CAPACITOR | 0.1uF 10V K | 1 | |
| | C31 | CK73GBB1H104K | C CAPACITOR | 0.1uF 50V K | 1 | |
| | C32 | CK73GBB1H333K | C CAPACITOR | 0.033uF 50V K | 1 | |
| | C41 | CK73GBB0J225K | C CAPACITOR | 2.2uF 6.3V K | 1 | |
| | C42 | CK73GBB0J225K | C CAPACITOR | 2.2uF 6.3V K | 1 | |
| | C51 | CK73HBB1H103K | C CAPACITOR | 0.01uF 50V K | 1 | |
| | C52 | CK73HXR0J105K | C CAPACITOR | 1uF 6.3V K | 1 | |
| | C71 | NCJA1EK-104W-G | C CAPACITOR | 0.1uF 25V K | 1 | |
| | C100 | CE32CB1C100M | E CAPACITOR | 10uF 16V M | 1 | |
| | C101 | CK73GBB1C224K | C CAPACITOR | 0.22uF 16V K | 1 | |
| | C102 | CK73GBB1C224K | C CAPACITOR | 0.22uF 16V K | 1 | |
| | C103 | CK73GBB1C224K | C CAPACITOR | 0.22uF 16V K | 1 | |
| | C104 | CK73GBB1C224K | C CAPACITOR | 0.22uF 16V K | 1 | |
| | C109 | CK73GBB1C105K | C CAPACITOR | 1uF 16V K | 1 | |
| | C122 | CK73HBB1H221K | C CAPACITOR | 220pF 50V K | 1 | |
| | C131 | CK73HBB1H221K | C CAPACITOR | 220pF 50V K | 1 | |
| | C133 | CK73HBB1H221K | C CAPACITOR | 220pF 50V K | 1 | |
| | C134 | CK73HBB1H221K | C CAPACITOR | 220pF 50V K | 1 | |
| | C135 | CK73HBB1H221K | C CAPACITOR | 220pF 50V K | 1 | |
| | C136 | CK73HBB1H221K | C CAPACITOR | 220pF 50V K | 1 | |
| | C137 | CK73HBB1H221K | C CAPACITOR | 220pF 50V K | 1 | |
| | C138 | CK73HBB1H221K | C CAPACITOR | 220pF 50V K | 1 | |
| | C145 | CK73HXR0J105K | C CAPACITOR | 1uF 6.3V K | 1 | |
| | C146 | CK73HXR0J105K | C CAPACITOR | 1uF 6.3V K | 1 | |
| | C151 | CE32CA1C100M | E CAPACITOR | 10uF 16V M | 1 | |
| | C152 | CE32CA1C100M | E CAPACITOR | 10uF 16V M | 1 | |
| | C153 | CK73EBB1C106K | C CAPACITOR | 10uF 16V K | 1 | |
| | C154 | CK73EBB1C106K | C CAPACITOR | 10uF 16V K | 1 | |
| | C155 | CK73EBB1C106K | C CAPACITOR | 10uF 16V K | 1 | |
| | C171 | CK73HBB1H102K | C CAPACITOR | 1000pF 50V K | 1 | |
| | C172 | CK73HBB1H102K | C CAPACITOR | 1000pF 50V K | 1 | |
| | C173 | CK73HBB1H102K | C CAPACITOR | 1000pF 50V K | 1 | |
| | C174 | CK73HBB1H102K | C CAPACITOR | 1000pF 50V K | 1 | |
| | C175 | CK73HBB1H102K | C CAPACITOR | 1000pF 50V K | 1 | |
| | C191 | CK73EBB1C106K | C CAPACITOR | 10uF 16V K | 1 | |
| | C192 | CK73EBB1C106K | C CAPACITOR | 10uF 16V K | 1 | |
| | C195 | CK73HBB1H102K | C CAPACITOR | 1000pF 50V K | 1 | |
| | C196 | CK73HBB1H102K | C CAPACITOR | 1000pF 50V K | 1 | |
| | C201 | CE32CB1C470M | E CAPACITOR | 47uF 16V M | 1 | |
| | C202 | CK73HBB1H103K | C CAPACITOR | 0.01uF 50V K | 1 | |
| | C203 | CK73HBB1H103K | C CAPACITOR | 0.01uF 50V K | 1 | |
| | C204 | CE32CB1C470M | E CAPACITOR | 47uF 16V M | 1 | |
| | C205 | CK73HXR0J105K | C CAPACITOR | 1uF 6.3V K | 1 | |
| | C206 | CK73GBB0J105K | C CAPACITOR | 1uF 6.3V K | 1 | |
| | C207 | CK73GBB1A474K | C CAPACITOR | 0.47uF 10V K | 1 | |
| | C208 | CK73GBB0J105K | C CAPACITOR | 1uF 6.3V K | 1 | |
| | C209 | CK73GBB1A474K | C CAPACITOR | 0.47uF 10V K | 1 | |
| | C210 | CK73GXR0J475K | C CAPACITOR | 4.7uF 6.3V K | 1 | |
| | C211 | CK73GBB1C105K | C CAPACITOR | 1uF 16V K | 1 | |
| | C212 | CK73GBB1C105K | C CAPACITOR | 1uF 16V K | 1 | |
| | C213 | CK73GBB1C105K | C CAPACITOR | 1uF 16V K | 1 | |
| | C214 | CK73GBB1C105K | C CAPACITOR | 1uF 16V K | 1 | |
| | C215 | CK73GBB1C105K | C CAPACITOR | 1uF 16V K | 1 | |
| | C216 | CK73GBB1C105K | C CAPACITOR | 1uF 16V K | 1 | |
| | C217 | CK73GBB1C105K | C CAPACITOR | 1uF 16V K | 1 | |
| | C218 | CK73GBB1C105K | C CAPACITOR | 1uF 16V K | 1 | |
| | C221 | CE32CA1C100M | E CAPACITOR | 10uF 16V M | 1 | |
| | C222 | CE32CA1C100M | E CAPACITOR | 10uF 16V M | 1 | |
| | C223 | CK73GBB1C105K | C CAPACITOR | 1uF 16V K | 1 | |
| | C224 | CK73GBB1C105K | C CAPACITOR | 1uF 16V K | 1 | |
| | C225 | CK73FBB0J106K | C CAPACITOR | 10uF 6.3V K | 1 | |
| | C227 | CK73GBB1C105K | C CAPACITOR | 1uF 16V K | 1 | |
| | C228 | CK73GBB1C105K | C CAPACITOR | 1uF 16V K | 1 | |
| | C229 | CK73FBB0J106K | C CAPACITOR | 10uF 6.3V K | 1 | |
| | C261 | CK73FXR1C106K | C CAPACITOR | 10uF 16V K | 1 | |
| | C262 | CK73FXR1C106K | C CAPACITOR | 10uF 16V K | 1 | |
| | C263 | CK73GBB1H104K | C CAPACITOR | 0.1uF 50V K | 1 | |
| | C264 | CK73GBB1H104K | C CAPACITOR | 0.1uF 50V K | 1 | |
| | C265 | CK73FBB0J106K | C CAPACITOR | 10uF 6.3V K | 1 | |
| | C273 | CK73GBB1C105K | C CAPACITOR | 1uF 16V K | 1 | |
| | C277 | CK73GBB1C105K | C CAPACITOR | 1uF 16V K | 1 | |
| | C278 | CK73GBB1C105K | C CAPACITOR | 1uF 16V K | 1 | |
| | C279 | CK73GBB1C105K | C CAPACITOR | 1uF 16V K | 1 | |
| | C284 | CK73GXR0J475K | C CAPACITOR | 4.7uF 6.3V K | 1 | |
| | C285 | CK73GBB1C105K | C CAPACITOR | 1uF 16V K | 1 | |
| | C286 | CK73GXR0J475K | C CAPACITOR | 4.7uF 6.3V K | 1 | |
| | C302 | CK73GXR1C225K | C CAPACITOR | 2.2uF 16V K | 1 | |
| | C303 | CK73GBB1H104K | C CAPACITOR | 0.1uF 50V K | 1 | |
| | C304 | CK73HBB1H102K | C CAPACITOR | 1000pF 50V K | 1 | |

| | | | | | | | |
|------------|------|------------|------|------------|------|------------|------|
| MODEL | MARK | MODEL | MARK | MODEL | MARK | MODEL | MARK |
| DNX4150BT | E4 | DNX4150BT | M1 | DNX4150BT | R2 | DNX4150BT | X2 |
| DNX4150BTM | M2 | DNX4150BTR | Q1 | DNX4150DAB | E3 | DNX4150DAB | X1 |
| DNX572BH | K3 | DNX692 | K2 | | | | |

| Safe | Symbol No. | Parts No. | Parts Name | Description | QTY | Local |
|------|------------|---------------|-------------|---------------|-----|-------------------------|
| | C305 | CK73HBB1A104K | C CAPACITOR | 0.1uF 10V K | 1 | |
| | C306 | CK73FBB0J106K | C CAPACITOR | 10uF 6.3V K | 1 | |
| | C308 | CK73HBB1A104K | C CAPACITOR | 0.1uF 10V K | 1 | |
| | C309 | CK73HBB1H103K | C CAPACITOR | 0.01uF 50V K | 1 | |
| | C321 | CK73HBB1A104K | C CAPACITOR | 0.1uF 10V K | 1 | |
| | C322 | CK73HBB1H103K | C CAPACITOR | 0.01uF 50V K | 1 | |
| | C358 | CK73HBB1A104K | C CAPACITOR | 0.1uF 10V K | 1 | E3,X1 |
| | C359 | CK73HBB1H103K | C CAPACITOR | 0.01uF 50V K | 1 | E3,X1 |
| | C361 | CK73HXR0J105K | C CAPACITOR | 1uF 6.3V K | 1 | E3,X1 |
| | C362 | CK73HBB1A104K | C CAPACITOR | 0.1uF 10V K | 1 | E3,X1 |
| | C363 | CK730AU0J474K | C CAPACITOR | 0.47uF 6.3V K | 1 | E3,X1 |
| | C371 | CK73HBB1H103K | C CAPACITOR | 0.01uF 50V K | 1 | E3,X1 |
| | C402 | CK73HBB1H102K | C CAPACITOR | 1000pF 50V K | 1 | E4,M1,R2,M2,Q1,E3 |
| | C403 | CK73FBB0J106K | C CAPACITOR | 10uF 6.3V K | 1 | E4,M1,R2,M2,Q1,E3 |
| | C404 | CK73HBB1E223K | C CAPACITOR | 0.022uF 25V K | 1 | E4,M1,R2,M2,Q1,E3 |
| | C405 | CK73FBB0J106K | C CAPACITOR | 10uF 6.3V K | 1 | E4,M1,R2,M2,Q1,E3 |
| | C406 | CK73HBB1A104K | C CAPACITOR | 0.1uF 10V K | 1 | E4,M1,R2,M2,Q1,E3 |
| | C407 | CC73HCH1H330J | C CAPACITOR | 33pF 50V J | 1 | E4,M1,R2,M2,Q1,E3 |
| | C411 | CC73GCH1H150J | C CAPACITOR | 15pF 50V J | 1 | E4,M1,R2,M2,Q1,E3 |
| | C421 | CK73GBB1H104K | C CAPACITOR | 0.1uF 50V K | 1 | E4,M1,R2,M2,Q1,E3 |
| | C431 | CC73GCH1H220J | C CAPACITOR | 22pF 50V J | 1 | E4,M1,R2,M2,Q1,E3 |
| | C432 | CC73GCH1H220J | C CAPACITOR | 22pF 50V J | 1 | E4,M1,R2,M2,Q1,E3 |
| | C451 | CC73GCH1H060D | C CAPACITOR | 6pF 50V D | 1 | E4,M1,R2,M2,Q1,E3 |
| | C452 | CC73GCH1H040C | C CAPACITOR | 4pF 50V C | 1 | E4,M1,R2,M2,Q1,E3 |
| | C453 | CK73GBB1H102K | C CAPACITOR | 1000pF 50V K | 1 | E4,M1,R2,M2,Q1,E3 |
| | C454 | CC73GCH1H560J | C CAPACITOR | 56pF 50V J | 1 | E4,M1,R2,M2,Q1,E3 |
| | C455 | CC73GCH1H080D | C CAPACITOR | 8pF 50V D | 1 | E4,M1,R2,M2,Q1,E3 |
| | C462 | CK73HBB1H103K | C CAPACITOR | 0.01uF 50V K | 1 | E4,M1,R2,M2,Q1,E3 |
| | C463 | CK73HBB1H102K | C CAPACITOR | 1000pF 50V K | 1 | E4,M1,R2,M2,Q1,E3 |
| | C464 | CC73GCH1H030C | C CAPACITOR | 3pF 50V C | 1 | E4,M1,R2,M2,Q1,E3 |
| | C501 | CK73GBB1C105K | C CAPACITOR | 1uF 16V K | 1 | K3,K2 |
| | C502 | CK73GBB1C105K | C CAPACITOR | 1uF 16V K | 1 | K3,K2 |
| | C503 | CK73GBB1C105K | C CAPACITOR | 1uF 16V K | 1 | K3,K2 |
| | C511 | CK73GBB1H104K | C CAPACITOR | 0.1uF 50V K | 1 | E4,Q1,E3,K3,K2 |
| | C512 | CK73GBB1H104K | C CAPACITOR | 0.1uF 50V K | 1 | E4,Q1,E3,K3,K2 |
| | C571 | CK73HBB1H102K | C CAPACITOR | 1000pF 50V K | 1 | E4,M1,R2,X2,M2,Q1,E3,X1 |
| | C601 | CE32CA1C100M | E CAPACITOR | 10uF 16V M | 1 | M1,X2,M2,X1,K2 |
| | C602 | CE32CA1C100M | E CAPACITOR | 10uF 16V M | 1 | M1,X2,M2,X1,K2 |
| | C603 | CK73EBB1C106K | C CAPACITOR | 10uF 16V K | 1 | M1,X2,M2,X1,K2 |
| | C604 | CK73EBB1C106K | C CAPACITOR | 10uF 16V K | 1 | M1,X2,M2,X1,K2 |
| | C605 | CK73EBB1C106K | C CAPACITOR | 10uF 16V K | 1 | M1,X2,M2,X1,K2 |
| | C610 | CK73EBB1C106K | C CAPACITOR | 10uF 16V K | 1 | M1,X2,M2,X1,K2 |
| | C611 | CK73HBB1H103K | C CAPACITOR | 0.01uF 50V K | 1 | M1,X2,M2,X1,K2 |
| | C612 | CK73GBB1C105K | C CAPACITOR | 1uF 16V K | 1 | M1,X2,M2,X1,K2 |
| | C613 | CK73GBB1C105K | C CAPACITOR | 1uF 16V K | 1 | M1,X2,M2,X1,K2 |
| | C614 | CK73GBB1C105K | C CAPACITOR | 1uF 16V K | 1 | M1,X2,M2,X1,K2 |
| | C616 | CK73GBB1C105K | C CAPACITOR | 1uF 16V K | 1 | M1,X2,M2,X1,K2 |
| | C618 | CK73GBB1C105K | C CAPACITOR | 1uF 16V K | 1 | M1,X2,M2,X1,K2 |
| | C619 | CK73GBB1H102K | C CAPACITOR | 1000pF 50V K | 1 | M1,X2,M2,X1,K2 |
| | C701 | CK73HBB1H222K | C CAPACITOR | 2200pF 50V K | 1 | |
| | C702 | CK73HBB1H222K | C CAPACITOR | 2200pF 50V K | 1 | |
| | C703 | CK73HBB1H222K | C CAPACITOR | 2200pF 50V K | 1 | |
| | C704 | CK73HBB1H222K | C CAPACITOR | 2200pF 50V K | 1 | |
| | C705 | CK73HBB1H222K | C CAPACITOR | 2200pF 50V K | 1 | |
| | C706 | CK73HBB1H222K | C CAPACITOR | 2200pF 50V K | 1 | |
| | C711 | CK73GXR0J475K | C CAPACITOR | 4.7uF 6.3V K | 1 | |
| | C712 | CK73GXR0J475K | C CAPACITOR | 4.7uF 6.3V K | 1 | |
| | C713 | CK73GXR0J475K | C CAPACITOR | 4.7uF 6.3V K | 1 | |
| | C714 | CK73GXR0J475K | C CAPACITOR | 4.7uF 6.3V K | 1 | |
| | C715 | CK73GXR0J475K | C CAPACITOR | 4.7uF 6.3V K | 1 | |
| | C716 | CK73GXR0J475K | C CAPACITOR | 4.7uF 6.3V K | 1 | |
| | C721 | CK73GXR0J475K | C CAPACITOR | 4.7uF 6.3V K | 1 | |
| | C722 | CK73GXR0J475K | C CAPACITOR | 4.7uF 6.3V K | 1 | |
| | C723 | CK73GXR0J475K | C CAPACITOR | 4.7uF 6.3V K | 1 | M1,X2,M2,X1,K2 |
| | C731 | CK73FBB0J106K | C CAPACITOR | 10uF 6.3V K | 1 | M1,X2,M2,X1,K2 |
| | C732 | CK73GBB1H104K | C CAPACITOR | 0.1uF 50V K | 1 | M1,X2,M2,X1,K2 |
| | C733 | CK73FBB0J106K | C CAPACITOR | 10uF 6.3V K | 1 | M1,X2,M2,X1,K2 |
| | C734 | CK73GBB1H104K | C CAPACITOR | 0.1uF 50V K | 1 | M1,X2,M2,X1,K2 |
| | C735 | CK73GBB0J225K | C CAPACITOR | 2.2uF 6.3V K | 1 | M1,X2,M2,X1,K2 |
| | C736 | CK73GBB1H104K | C CAPACITOR | 0.1uF 50V K | 1 | M1,X2,M2,X1,K2 |
| | C737 | CK73HXR0J105K | C CAPACITOR | 1uF 6.3V K | 1 | |
| | C741 | CK73FBB0J106K | C CAPACITOR | 10uF 6.3V K | 1 | M1,X2,M2,X1,K2 |
| | C742 | CK73HBB1A104K | C CAPACITOR | 0.1uF 10V K | 1 | M1,X2,M2,X1,K2 |
| | C743 | CK73GBB0J225K | C CAPACITOR | 2.2uF 6.3V K | 1 | M1,X2,M2,X1,K2 |
| | C744 | CK73GBB1H104K | C CAPACITOR | 0.1uF 50V K | 1 | M1,X2,M2,X1,K2 |
| | C747 | CK73GBB1C105K | C CAPACITOR | 1uF 16V K | 1 | M1,X2,M2,X1,K2 |
| | C751 | CC73HCH1H100D | C CAPACITOR | 10pF 50V D | 1 | |
| | C752 | CC73HCH1H100D | C CAPACITOR | 10pF 50V D | 1 | |
| | C761 | CK73FBB0J106K | C CAPACITOR | 10uF 6.3V K | 1 | E4,R2,Q1,E3,K3 |
| | C762 | CK73GBB1H104K | C CAPACITOR | 0.1uF 50V K | 1 | E4,R2,Q1,E3,K3 |
| | C763 | CK73FBB0J106K | C CAPACITOR | 10uF 6.3V K | 1 | E4,R2,Q1,E3,K3 |
| | C764 | CK73GBB1H104K | C CAPACITOR | 0.1uF 50V K | 1 | E4,R2,Q1,E3,K3 |
| | C765 | CK73GBB0J225K | C CAPACITOR | 2.2uF 6.3V K | 1 | E4,R2,Q1,E3,K3 |
| | C766 | CK73GBB1H104K | C CAPACITOR | 0.1uF 50V K | 1 | E4,R2,Q1,E3,K3 |
| | C767 | CK73FBB0J106K | C CAPACITOR | 10uF 6.3V K | 1 | E4,R2,Q1,E3,K3 |
| | C768 | CK73GBB1H104K | C CAPACITOR | 0.1uF 50V K | 1 | E4,R2,Q1,E3,K3 |
| | C769 | CK73GBB1C105K | C CAPACITOR | 1uF 16V K | 1 | E4,R2,Q1,E3,K3 |
| | C797 | CC73HCH1H050C | C CAPACITOR | 5pF 50V C | 1 | M1,X2,M2,X1,K2 |
| | C798 | CC73HCH1H050C | C CAPACITOR | 5pF 50V C | 1 | M1,X2,M2,X1,K2 |
| | C799 | CK73HBB1H102K | C CAPACITOR | 1000pF 50V K | 1 | M1,X2,M2,X1,K2 |
| | R15 | RK73GH2A273D | MG RESISTOR | 27kΩ 1/10W D | 1 | |

| | | | | | | | |
|------------|------|------------|------|------------|------|------------|------|
| MODEL | MARK | MODEL | MARK | MODEL | MARK | MODEL | MARK |
| DNX4150BT | E4 | DNX4150BT | M1 | DNX4150BT | R2 | DNX4150BT | X2 |
| DNX4150BTM | M2 | DNX4150BTR | Q1 | DNX4150DAB | E3 | DNX4150DAB | X1 |
| DNX572BH | K3 | DNX692 | K2 | | | | |

| Safe | Symbol No. | Parts No. | Parts Name | Description | QTY | Local |
|------|------------|--------------|-------------|---------------|-----|----------------------|
| | R17 | RK73GH2A472D | MG RESISTOR | 4.7kΩ 1/10W D | 1 | |
| | R18 | RK73HB1J101J | MG RESISTOR | 100Ω 1/16W J | 1 | |
| | R19 | RK73HB1J000J | MG RESISTOR | 0Ω 1/16W J | 1 | |
| | R24 | RK73FB2B000J | MG RESISTOR | 0Ω 1/8W J | 1 | |
| | R25 | RK73FB2B000J | MG RESISTOR | 0Ω 1/8W J | 1 | |
| | R26 | RK73FB2B000J | MG RESISTOR | 0Ω 1/8W J | 1 | |
| | R27 | RK73FB2B000J | MG RESISTOR | 0Ω 1/8W J | 1 | |
| | R31 | RK73EB2E622J | MG RESISTOR | 6.2kΩ 1/4W J | 1 | |
| | R32 | RK73EB2E622J | MG RESISTOR | 6.2kΩ 1/4W J | 1 | |
| | R33 | RK73HH1J753D | MG RESISTOR | 75kΩ 1/16W D | 1 | |
| | R34 | RK73HH1J104D | MG RESISTOR | 100kΩ 1/16W D | 1 | |
| | R35 | RK73HH1J474D | MG RESISTOR | 470kΩ 1/16W D | 1 | |
| | R36 | RK73HB1J224J | MG RESISTOR | 220kΩ 1/16W J | 1 | |
| | R37 | RK73EB2E153J | MG RESISTOR | 15kΩ 1/4W J | 1 | |
| | R38 | RK73GB2A101J | MG RESISTOR | 100Ω 1/10W J | 1 | |
| | R40 | RK73GB2A000J | MG RESISTOR | 0Ω 1/10W J | 1 | E4,Q1,E3 |
| | R41 | RK73FB2B472J | MG RESISTOR | 4.7kΩ 1/8W J | 1 | |
| | R42 | RK73FB2B472J | MG RESISTOR | 4.7kΩ 1/8W J | 1 | M1,R2,X2,M2,X1,K3,K2 |
| | R51 | RK73HB1J102J | MG RESISTOR | 1kΩ 1/16W J | 1 | |
| | R52 | RK73GB2A202J | MG RESISTOR | 2kΩ 1/10W J | 1 | |
| | R61 | RK73GB2A152J | MG RESISTOR | 1.5kΩ 1/10W J | 1 | |
| | R72 | RK73HB1J123J | MG RESISTOR | 12kΩ 1/16W J | 1 | |
| | R73 | RK73HB1J683J | MG RESISTOR | 68kΩ 1/16W J | 1 | |
| | R74 | RK73HB1J103J | MG RESISTOR | 10kΩ 1/16W J | 1 | |
| | R141 | RK73GB2A562J | MG RESISTOR | 5.6kΩ 1/10W J | 1 | |
| | R142 | RK73HB1J331J | MG RESISTOR | 330Ω 1/16W J | 1 | |
| | R143 | RK73HB1J223J | MG RESISTOR | 22kΩ 1/16W J | 1 | |
| | R144 | RK73HB1J182J | MG RESISTOR | 1.8kΩ 1/16W J | 1 | |
| | R145 | RK73HB1J333J | MG RESISTOR | 33kΩ 1/16W J | 1 | |
| | R146 | RK73HB1J6R8J | MG RESISTOR | 6.8Ω 1/16W J | 1 | |
| | R147 | RK73GB2A000J | MG RESISTOR | 0Ω 1/10W J | 1 | |
| | R148 | RK73GB2A000J | MG RESISTOR | 0Ω 1/10W J | 1 | |
| | R151 | RK73HB1J471J | MG RESISTOR | 470Ω 1/16W J | 1 | |
| | R152 | RK73HB1J471J | MG RESISTOR | 470Ω 1/16W J | 1 | |
| | R153 | RK73HB1J471J | MG RESISTOR | 470Ω 1/16W J | 1 | |
| | R154 | RK73HB1J471J | MG RESISTOR | 470Ω 1/16W J | 1 | |
| | R155 | RK73HB1J471J | MG RESISTOR | 470Ω 1/16W J | 1 | |
| | R156 | RK73HB1J473J | MG RESISTOR | 47kΩ 1/16W J | 1 | |
| | R157 | RK73HB1J000J | MG RESISTOR | 0Ω 1/16W J | 1 | |
| | R159 | RK73HB1J473J | MG RESISTOR | 47kΩ 1/16W J | 1 | |
| | R161 | RK73HB1J223J | MG RESISTOR | 22kΩ 1/16W J | 1 | |
| | R162 | RK73HB1J223J | MG RESISTOR | 22kΩ 1/16W J | 1 | |
| | R163 | RK73HB1J223J | MG RESISTOR | 22kΩ 1/16W J | 1 | |
| | R164 | RK73HB1J223J | MG RESISTOR | 22kΩ 1/16W J | 1 | |
| | R165 | RK73HB1J223J | MG RESISTOR | 22kΩ 1/16W J | 1 | |
| | R171 | RK73GB2A101J | MG RESISTOR | 100Ω 1/10W J | 1 | |
| | R172 | RK73GB2A101J | MG RESISTOR | 100Ω 1/10W J | 1 | |
| | R173 | RK73GB2A101J | MG RESISTOR | 100Ω 1/10W J | 1 | |
| | R174 | RK73GB2A101J | MG RESISTOR | 100Ω 1/10W J | 1 | |
| | R175 | RK73GB2A101J | MG RESISTOR | 100Ω 1/10W J | 1 | |
| | R181 | RK73HB1J000J | MG RESISTOR | 0Ω 1/16W J | 1 | E4,R2,Q1,E3,K3 |
| | R182 | RK73HB1J000J | MG RESISTOR | 0Ω 1/16W J | 1 | E4,R2,Q1,E3,K3 |
| | R183 | RK73HB1J000J | MG RESISTOR | 0Ω 1/16W J | 1 | E4,R2,Q1,E3,K3 |
| | R184 | RK73HB1J000J | MG RESISTOR | 0Ω 1/16W J | 1 | E4,R2,Q1,E3,K3 |
| | R185 | RK73HB1J000J | MG RESISTOR | 0Ω 1/16W J | 1 | E4,R2,Q1,E3,K3 |
| | R191 | RK73HB1J471J | MG RESISTOR | 470Ω 1/16W J | 1 | |
| | R192 | RK73HB1J471J | MG RESISTOR | 470Ω 1/16W J | 1 | |
| | R193 | RK73HB1J223J | MG RESISTOR | 22kΩ 1/16W J | 1 | |
| | R194 | RK73HB1J223J | MG RESISTOR | 22kΩ 1/16W J | 1 | |
| | R195 | RK73GB2A101J | MG RESISTOR | 100Ω 1/10W J | 1 | |
| | R196 | RK73GB2A101J | MG RESISTOR | 100Ω 1/10W J | 1 | |
| | R201 | RK73GB2A2R2J | MG RESISTOR | 2.2Ω 1/10W J | 1 | |
| | R202 | RK73HB1J102J | MG RESISTOR | 1kΩ 1/16W J | 1 | |
| | R204 | RK73HB1J103J | MG RESISTOR | 10kΩ 1/16W J | 1 | |
| | R205 | RK73HB1J101J | MG RESISTOR | 100Ω 1/16W J | 1 | |
| | R206 | RK73HB1J101J | MG RESISTOR | 100Ω 1/16W J | 1 | |
| | R207 | RK73GB2A683J | MG RESISTOR | 68kΩ 1/10W J | 1 | |
| | R208 | RK73GB2A362J | MG RESISTOR | 3.6kΩ 1/10W J | 1 | |
| | R209 | RK73HB1J101J | MG RESISTOR | 100Ω 1/16W J | 1 | |
| | R261 | RK73GB2A2R2J | MG RESISTOR | 2.2Ω 1/10W J | 1 | |
| | R262 | RK73HB1J473J | MG RESISTOR | 47kΩ 1/16W J | 1 | |
| | R263 | RK73HB1J223J | MG RESISTOR | 22kΩ 1/16W J | 1 | |
| | R271 | RK73HB1J101J | MG RESISTOR | 100Ω 1/16W J | 1 | |
| | R272 | RK73HB1J472J | MG RESISTOR | 4.7kΩ 1/16W J | 1 | |
| | R273 | RK73HB1J101J | MG RESISTOR | 100Ω 1/16W J | 1 | |
| | R274 | RK73HB1J472J | MG RESISTOR | 4.7kΩ 1/16W J | 1 | |
| | R301 | RK73HB1J473J | MG RESISTOR | 47kΩ 1/16W J | 1 | |
| | R331 | RK73GB2A000J | MG RESISTOR | 0Ω 1/10W J | 1 | K3,K2 |
| | R332 | RK73GB2A000J | MG RESISTOR | 0Ω 1/10W J | 1 | K3,K2 |
| | R333 | RK73GB2A000J | MG RESISTOR | 0Ω 1/10W J | 1 | K3,K2 |
| | R334 | RK73GB2A000J | MG RESISTOR | 0Ω 1/10W J | 1 | K3,K2 |
| | R361 | RK73GB2A2R2J | MG RESISTOR | 2.2Ω 1/10W J | 1 | E3,X1 |
| | R362 | RK73HB1J473J | MG RESISTOR | 47kΩ 1/16W J | 1 | E3,X1 |
| | R363 | RK73HB1J102J | MG RESISTOR | 1kΩ 1/16W J | 1 | E3,X1 |
| | R364 | RK73HB1J473J | MG RESISTOR | 47kΩ 1/16W J | 1 | E3,X1 |
| | R365 | RK73HB1J473J | MG RESISTOR | 47kΩ 1/16W J | 1 | E3,X1 |
| | R366 | RK73HB1J473J | MG RESISTOR | 47kΩ 1/16W J | 1 | E3,X1 |
| | R367 | RK73HB1J473J | MG RESISTOR | 47kΩ 1/16W J | 1 | E3,X1 |
| | R371 | RK73HB1J472J | MG RESISTOR | 4.7kΩ 1/16W J | 1 | E3,X1 |
| | R372 | RK73HB1J472J | MG RESISTOR | 4.7kΩ 1/16W J | 1 | E3,X1 |
| | R373 | RK73HB1J102J | MG RESISTOR | 1kΩ 1/16W J | 1 | E3,X1 |

| | | | | | | | |
|------------|------|------------|------|------------|------|------------|------|
| MODEL | MARK | MODEL | MARK | MODEL | MARK | MODEL | MARK |
| DNX4150BT | E4 | DNX4150BT | M1 | DNX4150BT | R2 | DNX4150BT | X2 |
| DNX4150BTM | M2 | DNX4150BTR | Q1 | DNX4150DAB | E3 | DNX4150DAB | X1 |
| DNX572BH | K3 | DNX692 | K2 | | | | |

| Safe | Symbol No. | Parts No. | Parts Name | Description | QTY | Local |
|------|------------|--------------|-------------|---------------|-----|----------------------------------|
| | R374 | RK73HB1J472J | MG RESISTOR | 4.7kΩ 1/16W J | 1 | E3,X1 |
| | R375 | RK73HB1J472J | MG RESISTOR | 4.7kΩ 1/16W J | 1 | E3,X1 |
| | R377 | RK73HB1J103J | MG RESISTOR | 10kΩ 1/16W J | 1 | E3,X1 |
| | R378 | RK73HB1J000J | MG RESISTOR | 0Ω 1/16W J | 1 | E3,X1 |
| | R379 | RK73HB1J102J | MG RESISTOR | 1kΩ 1/16W J | 1 | E3,X1 |
| | R383 | RK73HB1J472J | MG RESISTOR | 4.7kΩ 1/16W J | 1 | E3,X1 |
| | R385 | RK73HB1J472J | MG RESISTOR | 4.7kΩ 1/16W J | 1 | E3,X1 |
| | R387 | RK73HB1J562J | MG RESISTOR | 5.6kΩ 1/16W J | 1 | E3,X1 |
| | R390 | RK73HB1J472J | MG RESISTOR | 4.7kΩ 1/16W J | 1 | X1 |
| | R391 | RK73GB2A000J | MG RESISTOR | 0Ω 1/10W J | 1 | E3 |
| | R392 | RK73HB1J473J | MG RESISTOR | 47kΩ 1/16W J | 1 | X1 |
| | R393 | RK73GB2A472J | MG RESISTOR | 4.7kΩ 1/10W J | 1 | X1 |
| | R394 | RK73HB1J101J | MG RESISTOR | 100Ω 1/16W J | 1 | X1 |
| | R402 | RK73HB1J103J | MG RESISTOR | 10kΩ 1/16W J | 1 | E4, M1, R2, M2, Q1, E3 |
| | R421 | RK73HB1J202J | MG RESISTOR | 2kΩ 1/16W J | 1 | E4, M1, R2, M2, Q1, E3 |
| | R422 | RK73HB1J272J | MG RESISTOR | 2.7kΩ 1/16W J | 1 | E4, M1, R2, M2, Q1, E3 |
| | R423 | RK73HB1J471J | MG RESISTOR | 470Ω 1/16W J | 1 | E4, M1, R2, M2, Q1, E3 |
| | R424 | RK73HB1J471J | MG RESISTOR | 470Ω 1/16W J | 1 | E4, M1, R2, M2, Q1, E3 |
| | R425 | RK73HB1J221J | MG RESISTOR | 220Ω 1/16W J | 1 | E4, M1, R2, M2, Q1, E3 |
| | R426 | RK73HB1J272J | MG RESISTOR | 2.7kΩ 1/16W J | 1 | E4, M1, R2, M2, Q1, E3 |
| | R432 | RK73GB2A202J | MG RESISTOR | 2kΩ 1/10W J | 1 | E4, M1, R2, M2, Q1, E3 |
| | R452 | RK73GB2A683J | MG RESISTOR | 68kΩ 1/10W J | 1 | E4, M1, R2, M2, Q1, E3 |
| | R453 | RK73GB2A153J | MG RESISTOR | 15kΩ 1/10W J | 1 | E4, M1, R2, M2, Q1, E3 |
| | R454 | RK73GB2A393J | MG RESISTOR | 39kΩ 1/10W J | 1 | E4, M1, R2, M2, Q1, E3 |
| | R455 | RK73GB2A623J | MG RESISTOR | 62kΩ 1/10W J | 1 | E4, M1, R2, M2, Q1, E3 |
| | R456 | RK73GB2A472J | MG RESISTOR | 4.7kΩ 1/10W J | 1 | E4, M1, R2, M2, Q1, E3 |
| | R457 | RK73GB2A200J | MG RESISTOR | 20Ω 1/10W J | 1 | E4, M1, R2, M2, Q1, E3 |
| | R501 | RK73GB2A100J | MG RESISTOR | 10Ω 1/10W J | 1 | K3, K2 |
| | R502 | RK73GB2A100J | MG RESISTOR | 10Ω 1/10W J | 1 | K3, K2 |
| | R503 | RK73GB2A4R7J | MG RESISTOR | 4.7Ω 1/10W J | 1 | K3, K2 |
| | R504 | RK73GB2A102J | MG RESISTOR | 1kΩ 1/10W J | 1 | K3, K2 |
| | R511 | RK73GB2A101J | MG RESISTOR | 100Ω 1/10W J | 1 | E4, Q1, E3, K3, K2 |
| | R512 | RK73GB2A101J | MG RESISTOR | 100Ω 1/10W J | 1 | E4, Q1, E3, K3, K2 |
| | R513 | RK73GB2A101J | MG RESISTOR | 100Ω 1/10W J | 1 | E4, Q1, E3, K3, K2 |
| | R514 | RK73GB2A2R2J | MG RESISTOR | 2.2Ω 1/10W J | 1 | E4, Q1, E3, K3, K2 |
| | R515 | RK73HB1J272J | MG RESISTOR | 2.7kΩ 1/16W J | 1 | E4, Q1, E3, K3, K2 |
| | R516 | RK73HB1J473J | MG RESISTOR | 47kΩ 1/16W J | 1 | E4, Q1, E3, K3, K2 |
| | R517 | RK73HB1J272J | MG RESISTOR | 2.7kΩ 1/16W J | 1 | E4, Q1, E3, K3, K2 |
| | R551 | RK73GB2A470J | MG RESISTOR | 47Ω 1/10W J | 1 | E4, M1, R2, X2, M2, Q1, E3 X1 |
| | R552 | RK73GH2A472D | MG RESISTOR | 4.7kΩ 1/10W D | 1 | E4, M1, R2, X2, M2, Q1, E3 X1 |
| | R553 | RK73EB2E511J | MG RESISTOR | 510Ω 1/4W J | 1 | E4, M1, R2, X2, M2, Q1, E3 X1 |
| | R554 | RK73GB2A152J | MG RESISTOR | 1.5kΩ 1/10W J | 1 | E4, M1, R2, X2, M2, Q1, E3 X1 |
| | R555 | RK73GB2A681J | MG RESISTOR | 680Ω 1/10W J | 1 | E4, M1, R2, X2, M2, Q1, E3 X1 |
| | R556 | RK73GB2A104J | MG RESISTOR | 100kΩ 1/10W J | 1 | E4, M1, R2, X2, M2, Q1, E3 X1 |
| | R557 | RK73GB2A102J | MG RESISTOR | 1kΩ 1/10W J | 1 | E4, M1, R2, X2, M2, Q1, E3 X1 |
| | R561 | RK73GB2A470J | MG RESISTOR | 47Ω 1/10W J | 1 | E4, M1, R2, X2, M2, Q1, E3 X1 |
| | R562 | RK73GH2A472D | MG RESISTOR | 4.7kΩ 1/10W D | 1 | E4, M1, R2, X2, M2, Q1, E3 X1 |
| | R563 | RK73EB2E511J | MG RESISTOR | 510Ω 1/4W J | 1 | E4, M1, R2, X2, M2, Q1, E3 X1 |
| | R564 | RK73GB2A152J | MG RESISTOR | 1.5kΩ 1/10W J | 1 | E4, M1, R2, X2, M2, Q1, E3 X1 |
| | R565 | RK73GB2A681J | MG RESISTOR | 680Ω 1/10W J | 1 | E4, M1, R2, X2, M2, Q1, E3 X1 |
| | R566 | RK73GB2A104J | MG RESISTOR | 100kΩ 1/10W J | 1 | E4, M1, R2, X2, M2, Q1, E3 X1 |
| | R567 | RK73GB2A102J | MG RESISTOR | 1kΩ 1/10W J | 1 | E4, M1, R2, X2, M2, Q1, E3 X1 |
| | R611 | RK73GB2A2R2J | MG RESISTOR | 2.2Ω 1/10W J | 1 | M1, X2, M2, X1, K2 |
| | R612 | RK73HB1J103J | MG RESISTOR | 10kΩ 1/16W J | 1 | M1, X2, M2, X1, K2 |
| | R614 | RK73HB1J102J | MG RESISTOR | 1kΩ 1/16W J | 1 | M1, X2, M2, X1, K2 |
| | R615 | RK73HB1J100J | MG RESISTOR | 10Ω 1/16W J | 1 | M1, X2, M2, X1, K2 |
| | R616 | RK73HB1J684J | MG RESISTOR | 680kΩ 1/16W J | 1 | M1, X2, M2, X1, K2 |
| | R701 | RK73HB1J471J | MG RESISTOR | 470Ω 1/16W J | 1 | |
| | R702 | RK73HB1J471J | MG RESISTOR | 470Ω 1/16W J | 1 | |
| | R703 | RK73HB1J471J | MG RESISTOR | 470Ω 1/16W J | 1 | |
| | R704 | RK73HB1J471J | MG RESISTOR | 470Ω 1/16W J | 1 | |
| | R705 | RK73HB1J471J | MG RESISTOR | 470Ω 1/16W J | 1 | |
| | R706 | RK73HB1J471J | MG RESISTOR | 470Ω 1/16W J | 1 | |
| | R731 | RK73HB1J473J | MG RESISTOR | 47kΩ 1/16W J | 1 | |
| | R732 | RK73HB1J472J | MG RESISTOR | 4.7kΩ 1/16W J | 1 | |
| | R734 | RK73GB2A2R2J | MG RESISTOR | 2.2Ω 1/10W J | 1 | M1, X2, M2, X1, K2 |
| | R735 | RK73GB2A102J | MG RESISTOR | 1kΩ 1/10W J | 1 | |
| | R736 | RK73GB2A2R2J | MG RESISTOR | 2.2Ω 1/10W J | 1 | M1, X2, M2, X1, K2 |
| | R737 | RK73GB2A2R2J | MG RESISTOR | 2.2Ω 1/10W J | 1 | E4, R2, Q1, E3, K3 |
| | R742 | RK73HB1J100J | MG RESISTOR | 10Ω 1/16W J | 1 | M1, X2, M2, X1, K2 |
| | R743 | RK73HB1J100J | MG RESISTOR | 10Ω 1/16W J | 1 | M1, X2, M2, X1, K2 |
| | R751 | RK73HB1J105J | MG RESISTOR | 1MΩ 1/16W J | 1 | |
| | R752 | RK73HB1J102J | MG RESISTOR | 1kΩ 1/16W J | 1 | E4, R2, Q1, E3, K3 |
| | R752 | RK73HB1J101J | MG RESISTOR | 100Ω 1/16W J | 1 | M1, X2, M2, X1, K2 |
| | R761 | RK73HB1J101J | MG RESISTOR | 100Ω 1/16W J | 1 | M1, X2, M2, X1, K2 |
| | R762 | RK73HB1J101J | MG RESISTOR | 100Ω 1/16W J | 1 | M1, X2, M2, X1, K2 |
| | R763 | RK73HB1J101J | MG RESISTOR | 100Ω 1/16W J | 1 | M1, X2, M2, X1, K2 |
| | R764 | RK73HB1J473J | MG RESISTOR | 47kΩ 1/16W J | 1 | M1, X2, M2, X1, K2 |

| MODEL | MARK | MODEL | MARK | MODEL | MARK | MODEL | MARK |
|------------|------|------------|------|------------|------|------------|------|
| DNX4150BT | E4 | DNX4150BT | M1 | DNX4150BT | R2 | DNX4150BT | X2 |
| DNX4150BTM | M2 | DNX4150BTR | Q1 | DNX4150DAB | E3 | DNX4150DAB | X1 |
| DNX572BH | K3 | DNX692 | K2 | | | | |

| Safe | Symbol No. | Parts No. | Parts Name | Description | QTY | Local |
|------|------------|---------------|-----------------|----------------|-----|-------------------------|
| | R765 | RK73HB1J473J | MG RESISTOR | 47kΩ 1/16W J | 1 | M1,X2,M2,X1,K2 |
| | R766 | RK73HB1J473J | MG RESISTOR | 47kΩ 1/16W J | 1 | E4,R2,Q1,E3,K3 |
| | R767 | RK73HB1J101J | MG RESISTOR | 100Ω 1/16W J | 1 | E4,R2,Q1,E3,K3 |
| | R768 | RK73HB1J101J | MG RESISTOR | 100Ω 1/16W J | 1 | E4,R2,Q1,E3,K3 |
| | R769 | RK73HB1J101J | MG RESISTOR | 100Ω 1/16W J | 1 | E4,R2,Q1,E3,K3 |
| | R771 | RK73HB1J000J | MG RESISTOR | 0Ω 1/16W J | 1 | M1,X2,M2,X1,K2 |
| | R772 | RK73HB1J000J | MG RESISTOR | 0Ω 1/16W J | 1 | M1,X2,M2,X1,K2 |
| | R773 | RK73HB1J000J | MG RESISTOR | 0Ω 1/16W J | 1 | M1,X2,M2,X1,K2 |
| | L1 | QQR1909-001 | CHOCO COIL | | 1 | |
| | L301 | LR73Z0AD4R7M | CHIP INDUCTOR | 4.7uH | 1 | |
| | L401 | LB73G0BF-002 | CHIP FERRITE | | 1 | E4,M1,R2,M2,Q1,E3 |
| | L411 | NQLD8DJ-R15X | INDUCTOR | 0.15uH J | 1 | E4,M1,R2,M2,Q1,E3 |
| | L412 | NQLQ3DG-22NX | INDUCTOR | 22nH G | 1 | E4,M1,R2,M2,Q1,E3 |
| | L451 | NQLD8DJ-R56X | INDUCTOR | 0.56uH J | 1 | E4,M1,R2,M2,Q1,E3 |
| | L452 | NQLD8DJ-R15X | INDUCTOR | 0.15uH J | 1 | E4,M1,R2,M2,Q1,E3 |
| | L461 | LB73G0BF-002 | CHIP FERRITE | | 1 | E4,M1,R2,M2,Q1,E3 |
| | L601 | LK73G0AQ1R0K | M.CHIP INDUCTOR | 1uH | 1 | M1,X2,M2,X1,K2 |
| | A301 | QAU0564-001 | TUNER | | 1 | E4,M1,X2,M2,Q1 |
| | A301 | QAU0563-001 | TUNER | | 1 | R2 |
| | A301 | QAU0567-001 | TUNER | | 1 | E3,X1 |
| | A301 | QAU0565-001 | TUNER | | 1 | K3,K2 |
| | CN201 | QGF0534F7-50X | FFC/FPC CONNE | FFC/FPC (1-50) | 1 | |
| | CN301 | QGB0812L4-70X | B TO B CONNE | B-B (1-70) | 1 | |
| | J1 | QNZ0607-001 | CAR CONNECTOR | | 1 | |
| | J151 | QNN0889-001 | PIN JACK | | 1 | |
| | J191 | QNS0307-001 | 3.5 JACK | | 1 | |
| | J351 | QNB0353-001 | ANT TERMINAL | | 1 | E3,X1 |
| | J501 | QNZ0907-001 | CIR CONNECTOR | | 1 | E4,Q1,E3,K3,K2 |
| | J551 | QNS0307-001 | 3.5 JACK | | 1 | E4,M1,R2,X2,M2,Q1,E3,X1 |
| | TH101 | NAF0048-471X | P THERMISTOR | | 1 | |
| | VA171 | NAF0045-180X | VARIATOR(ZNR) | | 1 | |
| | VA172 | NAF0045-180X | VARIATOR(ZNR) | | 1 | |
| | VA173 | NAF0045-180X | VARIATOR(ZNR) | | 1 | |
| | VA174 | NAF0045-180X | VARIATOR(ZNR) | | 1 | |
| | VA175 | NAF0045-180X | VARIATOR(ZNR) | | 1 | |
| | VA177 | NAF0045-180X | VARIATOR(ZNR) | | 1 | |
| | VA195 | NAF0045-180X | VARIATOR(ZNR) | | 1 | |
| | VA196 | NAF0045-180X | VARIATOR(ZNR) | | 1 | |
| | VA197 | NAF0045-180X | VARIATOR(ZNR) | | 1 | |
| | VA301 | NAF0029-002X | ESD SUPPRESSOR | | 1 | |
| | VA351 | NAF0029-002X | ESD SUPPRESSOR | | 1 | E3,X1 |
| | VA501 | NAF0045-180X | VARIATOR(ZNR) | | 1 | K3,K2 |
| | VA502 | NAF0045-180X | VARIATOR(ZNR) | | 1 | K3,K2 |
| | VA503 | NAF0045-180X | VARIATOR(ZNR) | | 1 | K3,K2 |
| | VA511 | NAF0042-270X | VARIATOR(ZNR) | | 1 | E4,Q1,E3,K3,K2 |
| | VA512 | NAF0042-270X | VARIATOR(ZNR) | | 1 | E4,Q1,E3,K3,K2 |
| | VA513 | NAF0042-270X | VARIATOR(ZNR) | | 1 | E4,Q1,E3,K3,K2 |
| | VA551 | NAF0042-270X | VARIATOR(ZNR) | | 1 | E4,M1,R2,X2,M2,Q1,E3,X1 |
| | VA561 | NAF0042-270X | VARIATOR(ZNR) | | 1 | E4,M1,R2,X2,M2,Q1,E3,X1 |
| | VA571 | NAF0042-270X | VARIATOR(ZNR) | | 1 | E4,M1,R2,X2,M2,Q1,E3,X1 |
| | W301 | QAM1484-001 | CAR CABLE | | 1 | |
| | X431 | NAX1256-001X | CRYSTAL | | 1 | E4,M1,R2,M2,Q1,E3 |
| | X701 | NAX1143-001X | CRYSTAL | | 1 | E4,R2,Q1,E3,K3 |
| | X701 | NAX1172-001X | CRYSTAL | | 1 | M1,X2,M2,X1,K2 |

VIDEO PWB ASSY (XJ8-0140-11) <05>

| | | | | | | |
|-------|----------------|-----------------|--|--|---|--|
| IC201 | W3F-0032-00 | IC | | | 1 | |
| IC203 | XC6223B331PG-X | IC | | | 1 | |
| IC204 | MFI337S3959 | MCU IC | | | 1 | |
| IC301 | MST7912MD-I | IC | | | 1 | |
| IC302 | W3F-0034-00 | IC | | | 1 | |
| IC303 | XC6223B331PG-X | IC | | | 1 | |
| IC304 | XC6223B121PG-X | IC | | | 1 | |
| IC305 | XC6223B331PG-X | IC | | | 1 | |
| IC306 | 74AHC1G08GW-X | IC | | | 1 | |
| IC401 | TC7SH00FUJF | MOS IC | | | 1 | |
| IC402 | LM3481MMX-X | IC | | | 1 | |
| IC404 | TC7SH17FUJF | MOS IC | | | 1 | |
| IC405 | XC6213B332N-G | MOS IC | | | 1 | |
| IC701 | NJM2831F92-X | SV-ANALOGUE IC | | | 1 | |
| IC801 | PIC95603-X | IR DETECT UNIT | | | 1 | |
| Q151 | LTA014YEBFS8 | DIGI TRANSISTOR | | | 1 | |
| Q152 | LTC014YEBFS8 | DIGI TRANSISTOR | | | 1 | |
| Q201 | LSCR523UBFS8 | TRANSISTOR | | | 1 | |
| Q202 | LTC014YEBFS8 | DIGI TRANSISTOR | | | 1 | |
| Q203 | LTC014YEBFS8 | DIGI TRANSISTOR | | | 1 | |
| Q204 | LTC014YEBFS8 | DIGI TRANSISTOR | | | 1 | |
| Q205 | LTC014YEBFS8 | DIGI TRANSISTOR | | | 1 | |
| Q206 | LTC014YEBFS8 | DIGI TRANSISTOR | | | 1 | |
| Q304 | LTC014YEBFS8 | DIGI TRANSISTOR | | | 1 | |
| Q305 | LSCR523UBFS8 | TRANSISTOR | | | 1 | |
| Q306 | LSAR523UBFS8 | TRANSISTOR | | | 1 | |
| Q307 | LTC014YEBFS8 | DIGI TRANSISTOR | | | 1 | |
| Q308 | LTC014YEBFS8 | DIGI TRANSISTOR | | | 1 | |
| Q309 | LTC014YEBFS8 | DIGI TRANSISTOR | | | 1 | |
| Q310 | LTC014YEBFS8 | DIGI TRANSISTOR | | | 1 | |
| Q401 | LSCR523UBFS8 | TRANSISTOR | | | 1 | |
| Q402 | LSCR523UBFS8 | TRANSISTOR | | | 1 | |

| | | | | | | | |
|------------|------|------------|------|------------|------|------------|------|
| MODEL | MARK | MODEL | MARK | MODEL | MARK | MODEL | MARK |
| DNX4150BT | E4 | DNX4150BT | M1 | DNX4150BT | R2 | DNX4150BT | X2 |
| DNX4150BTM | M2 | DNX4150BTR | Q1 | DNX4150DAB | E3 | DNX4150DAB | X1 |
| DNX572BH | K3 | DNX692 | K2 | | | | |

| Safe | Symbol No. | Parts No. | Parts Name | Description | QTY | Local |
|------|------------|-----------------|-----------------|--------------|-----|-------|
| | Q403 | LSCR523UBFS8 | TRANSISTOR | | 1 | |
| | Q404 | LSCR523UBFS8 | TRANSISTOR | | 1 | |
| | Q405 | LSAR523UBFS8 | TRANSISTOR | | 1 | |
| | Q406 | RTQ035N03-W | MOS FET | | 1 | |
| | Q407 | LSAR523UBFS8 | TRANSISTOR | | 1 | |
| | Q408 | LSCR523UBFS8 | TRANSISTOR | | 1 | |
| | Q409 | LSCR523UBFS8 | TRANSISTOR | | 1 | |
| | Q410 | LSCR523UBFS8 | TRANSISTOR | | 1 | |
| | Q411 | LSCR523UBFS8 | TRANSISTOR | | 1 | |
| | Q412 | LSCR523UBFS8 | TRANSISTOR | | 1 | |
| | Q413 | LSAR523UBFS8 | TRANSISTOR | | 1 | |
| | Q414 | LTC043ZEBFS8 | DIGI TRANSISTOR | | 1 | |
| | Q415 | LTC043ZEBFS8 | DIGI TRANSISTOR | | 1 | |
| | Q416 | LSAR523UBFS8 | TRANSISTOR | | 1 | |
| | Q417 | LSCR523UBFS8 | TRANSISTOR | | 1 | |
| | Q418 | LTC043ZEBFS8 | DIGI TRANSISTOR | | 1 | |
| | Q419 | LTC043ZEBFS8 | DIGI TRANSISTOR | | 1 | |
| | Q420 | LSAR523UBFS8 | TRANSISTOR | | 1 | |
| | Q501 | 2SA2018/F-X | TRANSISTOR | | 1 | |
| | Q502 | 2SC5585-E-X | TRANSISTOR | | 1 | |
| | Q503 | 2SC5585-E-X | TRANSISTOR | | 1 | |
| | Q504 | 2SA2018/F-X | TRANSISTOR | | 1 | |
| | Q505 | LTA014YEBFS8 | DIGI TRANSISTOR | | 1 | |
| | Q506 | LSCR523UBFS8 | TRANSISTOR | | 1 | |
| | Q507 | LSCR523UBFS8 | TRANSISTOR | | 1 | |
| | Q701 | LSCR523UBFS8 | TRANSISTOR | | 1 | |
| | Q702 | LSCR523UBFS8 | TRANSISTOR | | 1 | |
| | Q704 | LSAR523UBFS8 | TRANSISTOR | | 1 | |
| | Q705 | LTA014YEBFS8 | DIGI TRANSISTOR | | 1 | |
| | Q706 | LTA014YEBFS8 | DIGI TRANSISTOR | | 1 | |
| | Q707 | LTC014YEBFS8 | DIGI TRANSISTOR | | 1 | |
| | Q708 | LTC014YEBFS8 | DIGI TRANSISTOR | | 1 | |
| | Q709 | LSAR523UBFS8 | TRANSISTOR | | 1 | |
| | Q710 | LSCR523UBFS8 | TRANSISTOR | | 1 | |
| | Q711 | LSCR523UBFS8 | TRANSISTOR | | 1 | |
| | Q712 | LTA014YEBFS8 | DIGI TRANSISTOR | | 1 | |
| | Q713 | LTC014YEBFS8 | DIGI TRANSISTOR | | 1 | |
| | Q714 | LSCR523UBFS8 | TRANSISTOR | | 1 | |
| | Q715 | LSCR523UBFS8 | TRANSISTOR | | 1 | |
| | Q801 | LSCR523UBFS8 | TRANSISTOR | | 1 | |
| | Q802 | LSCR523UBFS8 | TRANSISTOR | | 1 | |
| | Q803 | LSCR523UBFS8 | TRANSISTOR | | 1 | |
| | D201 | RB521S-30 | SCHOTTKY DIODE | | 1 | |
| | D401 | SJPE-H4-X | SB DIODE | | 1 | |
| | D402 | RB162M-60 | SCHOTTKY DIODE | | 1 | |
| | D403 | DA2J101 | DIODE | | 1 | |
| | D404 | RB162M-60 | SCHOTTKY DIODE | | 1 | |
| | D405 | DA2J101 | DIODE | | 1 | |
| | D801 | LTRBR8SF/Z1Z1X | LED | | 1 | |
| | D802 | LTRBR8SF/Z1Z1X | LED | | 1 | |
| | D803 | SML-D12V8W/NPQX | LED | | 1 | |
| | D804 | SML-D12V8W/NPQX | LED | | 1 | |
| | C1 | CK73GXR0J106M | C CAPACITOR | 10uF 6.3V M | 1 | |
| | C2 | CK73HBB1A104K | C CAPACITOR | 0.1uF 10V K | 1 | |
| | C151 | CK73GBB1H104K | C CAPACITOR | 0.1uF 50V K | 1 | |
| | C152 | CK73HBB1E103K | C CAPACITOR | 0.01uF 25V K | 1 | |
| | C153 | CK73FXR0J226M | C CAPACITOR | 22uF 6.3V M | 1 | |
| | C154 | CK73HBB1H102K | C CAPACITOR | 1000pF 50V K | 1 | |
| | C201 | CK73HBB1A104K | C CAPACITOR | 0.1uF 10V K | 1 | |
| | C202 | CC73HCH1H070D | C CAPACITOR | 7pF 50V D | 1 | |
| | C203 | CC73HCH1H150J | C CAPACITOR | 15pF 50V J | 1 | |
| | C204 | CK73HBB1A104K | C CAPACITOR | 0.1uF 10V K | 1 | |
| | C205 | CK73HBB1A104K | C CAPACITOR | 0.1uF 10V K | 1 | |
| | C206 | CC73HCH1H221J | C CAPACITOR | 220pF 50V J | 1 | |
| | C207 | CC73HCH1H101J | C CAPACITOR | 100pF 50V J | 1 | |
| | C208 | CK73HBB1A104K | C CAPACITOR | 0.1uF 10V K | 1 | |
| | C209 | CK73HXR0J105K | C CAPACITOR | 1uF 6.3V K | 1 | |
| | C210 | CK73HXR0J105K | C CAPACITOR | 1uF 6.3V K | 1 | |
| | C212 | CC73HCH1H101J | C CAPACITOR | 100pF 50V J | 1 | |
| | C213 | CC73HCH1H101J | C CAPACITOR | 100pF 50V J | 1 | |
| | C214 | CC73HCH1H101J | C CAPACITOR | 100pF 50V J | 1 | |
| | C215 | CC73HCH1H101J | C CAPACITOR | 100pF 50V J | 1 | |
| | C222 | CK73GXR0J106M | C CAPACITOR | 10uF 6.3V M | 1 | |
| | C223 | CK73GXR0J106M | C CAPACITOR | 10uF 6.3V M | 1 | |
| | C225 | CK73HXR0J105K | C CAPACITOR | 1uF 6.3V K | 1 | |
| | C226 | CK73HXR0J105K | C CAPACITOR | 1uF 6.3V K | 1 | |
| | C227 | CK73HBB1A104K | C CAPACITOR | 0.1uF 10V K | 1 | |
| | C230 | CK73HBB1A104K | C CAPACITOR | 0.1uF 10V K | 1 | |
| | C301 | CK73HBB1A104K | C CAPACITOR | 0.1uF 10V K | 1 | |
| | C302 | CK73HBB1A104K | C CAPACITOR | 0.1uF 10V K | 1 | |
| | C303 | CK73HBB1E103K | C CAPACITOR | 0.01uF 25V K | 1 | |
| | C304 | CK73HBB1A104K | C CAPACITOR | 0.1uF 10V K | 1 | |
| | C305 | CK73HBB1A104K | C CAPACITOR | 0.1uF 10V K | 1 | |
| | C306 | CK73HBB1A104K | C CAPACITOR | 0.1uF 10V K | 1 | |
| | C308 | CC73HCH1H470J | C CAPACITOR | 47pF 50V J | 1 | |
| | C314 | CK73HBB1A104K | C CAPACITOR | 0.1uF 10V K | 1 | |
| | C315 | CK73HBB1A104K | C CAPACITOR | 0.1uF 10V K | 1 | |
| | C317 | CC73HCH1H101J | C CAPACITOR | 100pF 50V J | 1 | |

| | | | | | | | |
|------------|------|------------|------|------------|------|------------|------|
| MODEL | MARK | MODEL | MARK | MODEL | MARK | MODEL | MARK |
| DNX4150BT | E4 | DNX4150BT | M1 | DNX4150BT | R2 | DNX4150BT | X2 |
| DNX4150BTM | M2 | DNX4150BTR | Q1 | DNX4150DAB | E3 | DNX4150DAB | X1 |
| DNX572BH | K3 | DNX692 | K2 | | | | |

| Safe | Symbol No. | Parts No. | Parts Name | Description | QTY | Local |
|------|------------|---------------|-------------|--------------|-----|-------|
| | C318 | CK73HBB1H102K | C CAPACITOR | 1000pF 50V K | 1 | |
| | C319 | CC73HCH1H330J | C CAPACITOR | 33pF 50V J | 1 | |
| | C320 | CK73HBB1A104K | C CAPACITOR | 0.1uF 10V K | 1 | |
| | C321 | CK73HBB1A104K | C CAPACITOR | 0.1uF 10V K | 1 | |
| | C322 | CK73HXR0J105K | C CAPACITOR | 1uF 6.3V K | 1 | |
| | C323 | CK73HBB1A104K | C CAPACITOR | 0.1uF 10V K | 1 | |
| | C324 | CC73HCH1H101J | C CAPACITOR | 100pF 50V J | 1 | |
| | C325 | CC73HCH1H101J | C CAPACITOR | 100pF 50V J | 1 | |
| | C326 | CC73HCH1H070D | C CAPACITOR | 7pF 50V D | 1 | |
| | C327 | CC73HCH1H120J | C CAPACITOR | 12pF 50V J | 1 | |
| | C328 | CK73HBB1A104K | C CAPACITOR | 0.1uF 10V K | 1 | |
| | C331 | CK73HXR0J105K | C CAPACITOR | 1uF 6.3V K | 1 | |
| | C332 | CK73HXR0J105K | C CAPACITOR | 1uF 6.3V K | 1 | |
| | C333 | CK73HXR0J105K | C CAPACITOR | 1uF 6.3V K | 1 | |
| | C334 | CK73HXR0J105K | C CAPACITOR | 1uF 6.3V K | 1 | |
| | C335 | CK73HXR0J105K | C CAPACITOR | 1uF 6.3V K | 1 | |
| | C336 | CK73HXR0J105K | C CAPACITOR | 1uF 6.3V K | 1 | |
| | C337 | CK73GXR0J106M | C CAPACITOR | 10uF 6.3V M | 1 | |
| | C338 | CK73GXR0J106M | C CAPACITOR | 10uF 6.3V M | 1 | |
| | C339 | CK73FXR0J226M | C CAPACITOR | 22uF 6.3V M | 1 | |
| | C340 | CK73HBB1A104K | C CAPACITOR | 0.1uF 10V K | 1 | |
| | C341 | CK73HBB1A104K | C CAPACITOR | 0.1uF 10V K | 1 | |
| | C342 | CK73GXR0J106M | C CAPACITOR | 10uF 6.3V M | 1 | |
| | C343 | CK73HBB1A104K | C CAPACITOR | 0.1uF 10V K | 1 | |
| | C350 | CK73HBB1H102K | C CAPACITOR | 1000pF 50V K | 1 | |
| | C351 | CK73HBB1H102K | C CAPACITOR | 1000pF 50V K | 1 | |
| | C352 | CK73HBB1H102K | C CAPACITOR | 1000pF 50V K | 1 | |
| | C353 | CK73HBB1H102K | C CAPACITOR | 1000pF 50V K | 1 | |
| | C354 | CK73HBB1H102K | C CAPACITOR | 1000pF 50V K | 1 | |
| | C355 | CK73HBB1H102K | C CAPACITOR | 1000pF 50V K | 1 | |
| | C356 | CK73HBB1H102K | C CAPACITOR | 1000pF 50V K | 1 | |
| | C357 | CK73HBB1H102K | C CAPACITOR | 1000pF 50V K | 1 | |
| | C358 | CK73HBB1A104K | C CAPACITOR | 0.1uF 10V K | 1 | |
| | C359 | CK73HBB1A104K | C CAPACITOR | 0.1uF 10V K | 1 | |
| | C360 | CK73HBB1A104K | C CAPACITOR | 0.1uF 10V K | 1 | |
| | C361 | CK73HBB1A104K | C CAPACITOR | 0.1uF 10V K | 1 | |
| | C362 | CK73HBB1A104K | C CAPACITOR | 0.1uF 10V K | 1 | |
| | C363 | CK73HBB1A104K | C CAPACITOR | 0.1uF 10V K | 1 | |
| | C364 | CK73HBB1A104K | C CAPACITOR | 0.1uF 10V K | 1 | |
| | C365 | CK73HBB1A104K | C CAPACITOR | 0.1uF 10V K | 1 | |
| | C366 | CK73HBB1A104K | C CAPACITOR | 0.1uF 10V K | 1 | |
| | C367 | CK73HBB1A104K | C CAPACITOR | 0.1uF 10V K | 1 | |
| | C368 | CK73HBB1H102K | C CAPACITOR | 1000pF 50V K | 1 | |
| | C371 | CK73HBB1A104K | C CAPACITOR | 0.1uF 10V K | 1 | |
| | C372 | CK73HBB1A104K | C CAPACITOR | 0.1uF 10V K | 1 | |
| | C373 | CK73FXR0J226M | C CAPACITOR | 22uF 6.3V M | 1 | |
| | C374 | CK73FXR0J226M | C CAPACITOR | 22uF 6.3V M | 1 | |
| | C375 | CK73GBB1H104K | C CAPACITOR | 0.1uF 50V K | 1 | |
| | C404 | CK73GXR1H104K | C CAPACITOR | 0.1uF 50V K | 1 | |
| | C405 | CK73GXR1H104K | C CAPACITOR | 0.1uF 50V K | 1 | |
| | C406 | CK730BG1E106K | C CAPACITOR | 10uF 25V K | 1 | |
| | C407 | CK730BG1E106K | C CAPACITOR | 10uF 25V K | 1 | |
| | C408 | CK730CW1E103K | C CAPACITOR | 0.01uF 25V K | 1 | |
| | C409 | CK73GXR1H104K | C CAPACITOR | 0.1uF 50V K | 1 | |
| | C410 | CK730BG1E106K | C CAPACITOR | 10uF 25V K | 1 | |
| | C411 | CK730BG1E106K | C CAPACITOR | 10uF 25V K | 1 | |
| | C412 | CK730CW1A104K | C CAPACITOR | 0.1uF 10V K | 1 | |
| | C414 | CC73GCH1H391J | C CAPACITOR | 390pF 50V J | 1 | |
| | C415 | CK730AV0J105K | C CAPACITOR | 1uF 6.3V K | 1 | |
| | C416 | CK730BG1E106K | C CAPACITOR | 10uF 25V K | 1 | |
| | C417 | CK730CW1A104K | C CAPACITOR | 0.1uF 10V K | 1 | |
| | C418 | CK73GXR1H104K | C CAPACITOR | 0.1uF 50V K | 1 | |
| | C419 | CK730CW1A104K | C CAPACITOR | 0.1uF 10V K | 1 | |
| | C420 | CK730AV0J105K | C CAPACITOR | 1uF 6.3V K | 1 | |
| | C423 | CK730CW1E103K | C CAPACITOR | 0.01uF 25V K | 1 | |
| | C424 | CK73FXR0J226M | C CAPACITOR | 22uF 6.3V M | 1 | |
| | C425 | CK730AV0J105K | C CAPACITOR | 1uF 6.3V K | 1 | |
| | C426 | CK73HXR0J105K | C CAPACITOR | 1uF 6.3V K | 1 | |
| | C427 | CK73HXR0J105K | C CAPACITOR | 1uF 6.3V K | 1 | |
| | C501 | CK73GXR0J106M | C CAPACITOR | 10uF 6.3V M | 1 | |
| | C502 | CK730BG1E106K | C CAPACITOR | 10uF 25V K | 1 | |
| | C503 | CK730BG1E106K | C CAPACITOR | 10uF 25V K | 1 | |
| | C613 | CK73FXR1C106K | C CAPACITOR | 10uF 16V K | 1 | |
| | C614 | CK73FBB0J106K | C CAPACITOR | 10uF 6.3V K | 1 | |
| | C615 | CK73HBB1A104K | C CAPACITOR | 0.1uF 10V K | 1 | |
| | C616 | CK73HBB1A104K | C CAPACITOR | 0.1uF 10V K | 1 | |
| | C617 | CK73GBB1H104K | C CAPACITOR | 0.1uF 50V K | 1 | |
| | C618 | CK73HXR0J105K | C CAPACITOR | 1uF 6.3V K | 1 | |
| | C619 | CK73GBB1H104K | C CAPACITOR | 0.1uF 50V K | 1 | |
| | C620 | CK73HBB1A104K | C CAPACITOR | 0.1uF 10V K | 1 | |
| | C621 | CK73HXR0J105K | C CAPACITOR | 1uF 6.3V K | 1 | |
| | C622 | CK73HBB1A104K | C CAPACITOR | 0.1uF 10V K | 1 | |
| | C623 | CK73GBB1H104K | C CAPACITOR | 0.1uF 50V K | 1 | |
| | C624 | CK730BF1E475K | C CAPACITOR | 4.7uF 25V K | 1 | |
| | C625 | CK73GBB1H104K | C CAPACITOR | 0.1uF 50V K | 1 | |
| | C628 | CK73HBB1A104K | C CAPACITOR | 0.1uF 10V K | 1 | |
| | C629 | CK73HBB1A104K | C CAPACITOR | 0.1uF 10V K | 1 | |
| | C630 | CK73HBB1A104K | C CAPACITOR | 0.1uF 10V K | 1 | |
| | C701 | CK73GXR1E105K | C CAPACITOR | 1uF 25V K | 1 | |
| | C702 | CK73FXR1C106K | C CAPACITOR | 10uF 16V K | 1 | |

| | | | | | | | |
|------------|------|------------|------|------------|------|------------|------|
| MODEL | MARK | MODEL | MARK | MODEL | MARK | MODEL | MARK |
| DNX4150BT | E4 | DNX4150BT | M1 | DNX4150BT | R2 | DNX4150BT | X2 |
| DNX4150BTM | M2 | DNX4150BTR | Q1 | DNX4150DAB | E3 | DNX4150DAB | X1 |
| DNX572BH | K3 | DNX692 | K2 | | | | |

| Safe | Symbol No. | Parts No. | Parts Name | Description | QTY | Local |
|------|------------|---------------|-------------|---------------|-----|-------|
| | C704 | CK730BF1E475K | C CAPACITOR | 4.7uF 25V K | 1 | |
| | C706 | CK73GGB1H104K | C CAPACITOR | 0.1uF 50V K | 1 | |
| | C707 | CK73GGB1H104K | C CAPACITOR | 0.1uF 50V K | 1 | |
| | C708 | CK73FBB1E105K | C CAPACITOR | 1uF 25V K | 1 | |
| | C709 | CK73FBB1E105K | C CAPACITOR | 1uF 25V K | 1 | |
| | C710 | CK73GGB1A105K | C CAPACITOR | 1uF 10V K | 1 | |
| | C711 | CK73FXR1C106K | C CAPACITOR | 10uF 16V K | 1 | |
| | C801 | CK73HBB1A104K | C CAPACITOR | 0.1uF 10V K | 1 | |
| | C802 | CK73HBB1A104K | C CAPACITOR | 0.1uF 10V K | 1 | |
| | C803 | CK73HBB1A104K | C CAPACITOR | 0.1uF 10V K | 1 | |
| | C812 | CK73HXR0J105K | C CAPACITOR | 1uF 6.3V K | 1 | |
| | C942 | CK73FXR0J226M | C CAPACITOR | 22uF 6.3V M | 1 | |
| | C952 | CK73FXR0J226M | C CAPACITOR | 22uF 6.3V M | 1 | |
| | C971 | CK73HBB1H103K | C CAPACITOR | 0.01uF 50V K | 1 | |
| | C973 | CK73FXR1C106K | C CAPACITOR | 10uF 16V K | 1 | |
| | R1 | RK73HB1J101J | MG RESISTOR | 100Ω 1/16W J | 1 | |
| | R2 | RK73HB1J101J | MG RESISTOR | 100Ω 1/16W J | 1 | |
| | R3 | RK73HB1J101J | MG RESISTOR | 100Ω 1/16W J | 1 | |
| | R4 | RK73HB1J470J | MG RESISTOR | 47Ω 1/16W J | 1 | |
| | R5 | RK73HB1J101J | MG RESISTOR | 100Ω 1/16W J | 1 | |
| | R6 | RK73HB1J101J | MG RESISTOR | 100Ω 1/16W J | 1 | |
| | R101 | RK73HB1J101J | MG RESISTOR | 100Ω 1/16W J | 1 | |
| | R102 | RK73HB1J100J | MG RESISTOR | 10Ω 1/16W J | 1 | |
| | R103 | RK73HB1J101J | MG RESISTOR | 100Ω 1/16W J | 1 | |
| | R107 | RK73HB1J101J | MG RESISTOR | 100Ω 1/16W J | 1 | |
| | R108 | RK73HB1J470J | MG RESISTOR | 47Ω 1/16W J | 1 | |
| | R109 | RK73HB1J470J | MG RESISTOR | 47Ω 1/16W J | 1 | |
| | R110 | RK73HB1J470J | MG RESISTOR | 47Ω 1/16W J | 1 | |
| | R151 | RK73GB2A100J | MG RESISTOR | 10Ω 1/10W J | 1 | |
| | R152 | RK73GB2A100J | MG RESISTOR | 10Ω 1/10W J | 1 | |
| | R153 | RK73GB2A100J | MG RESISTOR | 10Ω 1/10W J | 1 | |
| | R154 | RK73GB2A221J | MG RESISTOR | 220Ω 1/10W J | 1 | |
| | R155 | RK73GB2A100J | MG RESISTOR | 10Ω 1/10W J | 1 | |
| | R156 | RK73GB2A100J | MG RESISTOR | 10Ω 1/10W J | 1 | |
| | R157 | RK73GB2A101J | MG RESISTOR | 100Ω 1/10W J | 1 | |
| | R159 | RK73GB2A103J | MG RESISTOR | 10kΩ 1/10W J | 1 | |
| | R160 | RK73GB2A103J | MG RESISTOR | 10kΩ 1/10W J | 1 | |
| | R162 | RK73GB2A512J | MG RESISTOR | 5.1kΩ 1/10W J | 1 | |
| | R163 | RK73GB2A512J | MG RESISTOR | 5.1kΩ 1/10W J | 1 | |
| | R181 | RK73HB1J473J | MG RESISTOR | 47kΩ 1/16W J | 1 | |
| | R183 | RK73GB2A000J | MG RESISTOR | 0Ω 1/10W J | 1 | |
| | R209 | RK73HB1J101J | MG RESISTOR | 100Ω 1/16W J | 1 | |
| | R210 | RK73HB1J154J | MG RESISTOR | 150kΩ 1/16W J | 1 | |
| | R211 | RK73HB1J101J | MG RESISTOR | 100Ω 1/16W J | 1 | |
| | R213 | RK73HB1J222J | MG RESISTOR | 2.2kΩ 1/16W J | 1 | |
| | R214 | RK73HB1J103J | MG RESISTOR | 10kΩ 1/16W J | 1 | |
| | R215 | RK73HB1J101J | MG RESISTOR | 100Ω 1/16W J | 1 | |
| | R216 | RK73HB1J101J | MG RESISTOR | 100Ω 1/16W J | 1 | |
| | R218 | RK73HB1J101J | MG RESISTOR | 100Ω 1/16W J | 1 | |
| | R220 | RK73HB1J101J | MG RESISTOR | 100Ω 1/16W J | 1 | |
| | R221 | RK73HB1J473J | MG RESISTOR | 47kΩ 1/16W J | 1 | |
| | R222 | RK73HB1J101J | MG RESISTOR | 100Ω 1/16W J | 1 | |
| | R223 | RK73HB1J473J | MG RESISTOR | 47kΩ 1/16W J | 1 | |
| | R224 | RK73HB1J101J | MG RESISTOR | 100Ω 1/16W J | 1 | |
| | R225 | RK73HB1J473J | MG RESISTOR | 47kΩ 1/16W J | 1 | |
| | R226 | RK73HB1J101J | MG RESISTOR | 100Ω 1/16W J | 1 | |
| | R228 | RK73HB1J103J | MG RESISTOR | 10kΩ 1/16W J | 1 | |
| | R229 | RK73HB1J103J | MG RESISTOR | 10kΩ 1/16W J | 1 | |
| | R230 | RK73HB1J100J | MG RESISTOR | 10Ω 1/16W J | 1 | |
| | R231 | RK73HB1J100J | MG RESISTOR | 10Ω 1/16W J | 1 | |
| | R232 | RK73HB1J272J | MG RESISTOR | 2.7kΩ 1/16W J | 1 | |
| | R233 | RK73HB1J100J | MG RESISTOR | 10Ω 1/16W J | 1 | |
| | R234 | RK73HB1J272J | MG RESISTOR | 2.7kΩ 1/16W J | 1 | |
| | R236 | RK73HB1J473J | MG RESISTOR | 47kΩ 1/16W J | 1 | |
| | R237 | RK73HB1J101J | MG RESISTOR | 100Ω 1/16W J | 1 | |
| | R239 | RK73HB1J473J | MG RESISTOR | 47kΩ 1/16W J | 1 | |
| | R241 | RK73HB1J473J | MG RESISTOR | 47kΩ 1/16W J | 1 | |
| | R243 | RK73HB1J473J | MG RESISTOR | 47kΩ 1/16W J | 1 | |
| | R246 | RK73HB1J101J | MG RESISTOR | 100Ω 1/16W J | 1 | |
| | R247 | RK73HB1J101J | MG RESISTOR | 100Ω 1/16W J | 1 | |
| | R248 | RK73HB1J272J | MG RESISTOR | 2.7kΩ 1/16W J | 1 | |
| | R250 | RK73HB1J473J | MG RESISTOR | 47kΩ 1/16W J | 1 | |
| | R252 | RK73HB1J101J | MG RESISTOR | 100Ω 1/16W J | 1 | |
| | R253 | RK73HB1J472J | MG RESISTOR | 4.7kΩ 1/16W J | 1 | |
| | R254 | RK73HB1J101J | MG RESISTOR | 100Ω 1/16W J | 1 | |
| | R255 | RK73HB1J472J | MG RESISTOR | 4.7kΩ 1/16W J | 1 | |
| | R256 | RK73HB1J101J | MG RESISTOR | 100Ω 1/16W J | 1 | |
| | R257 | RK73HB1J101J | MG RESISTOR | 100Ω 1/16W J | 1 | |
| | R258 | RK73HB1J473J | MG RESISTOR | 47kΩ 1/16W J | 1 | |
| | R259 | RK73HB1J101J | MG RESISTOR | 100Ω 1/16W J | 1 | |
| | R262 | RK73HB1J470J | MG RESISTOR | 47Ω 1/16W J | 1 | |
| | R263 | RK73HB1J101J | MG RESISTOR | 100Ω 1/16W J | 1 | |
| | R264 | RK73HB1J101J | MG RESISTOR | 100Ω 1/16W J | 1 | |
| | R265 | RK73HB1J104J | MG RESISTOR | 100kΩ 1/16W J | 1 | |
| | R266 | RK73HB1J473J | MG RESISTOR | 47kΩ 1/16W J | 1 | |
| | R268 | RK73HB1J123J | MG RESISTOR | 12kΩ 1/16W J | 1 | |
| | R281 | RK73HB1J472J | MG RESISTOR | 4.7kΩ 1/16W J | 1 | |
| | R282 | RK73HB1J103J | MG RESISTOR | 10kΩ 1/16W J | 1 | |
| | R283 | RK73HB1J472J | MG RESISTOR | 4.7kΩ 1/16W J | 1 | |
| | R284 | RK73HB1J472J | MG RESISTOR | 4.7kΩ 1/16W J | 1 | |

| | | | | | | | |
|------------|------|------------|------|------------|------|------------|------|
| MODEL | MARK | MODEL | MARK | MODEL | MARK | MODEL | MARK |
| DNX4150BT | E4 | DNX4150BT | M1 | DNX4150BT | R2 | DNX4150BT | X2 |
| DNX4150BTM | M2 | DNX4150BTR | Q1 | DNX4150DAB | E3 | DNX4150DAB | X1 |
| DNX572BH | K3 | DNX692 | K2 | | | | |

| Safe | Symbol No. | Parts No. | Parts Name | Description | QTY | Local |
|------|------------|--------------|-------------|---------------|-----|-------|
| | R285 | RK73HB1J101J | MG RESISTOR | 100Ω 1/16W J | 1 | |
| | R286 | RK73HB1J473J | MG RESISTOR | 47kΩ 1/16W J | 1 | |
| | R288 | RK73HB1J000J | MG RESISTOR | 0Ω 1/16W J | 1 | |
| | R301 | RK73HH1J330D | MG RESISTOR | 33Ω 1/16W D | 1 | |
| | R302 | RK73HB1J220J | MG RESISTOR | 22Ω 1/16W J | 1 | |
| | R303 | RK73HH1J330D | MG RESISTOR | 33Ω 1/16W D | 1 | |
| | R304 | RK73HH1J330D | MG RESISTOR | 33Ω 1/16W D | 1 | |
| | R305 | RK73HH1J390D | MG RESISTOR | 39Ω 1/16W D | 1 | |
| | R306 | RK73HB1J102J | MG RESISTOR | 1kΩ 1/16W J | 1 | |
| | R307 | RK73HH1J390D | MG RESISTOR | 39Ω 1/16W D | 1 | |
| | R308 | RK73HH1J390D | MG RESISTOR | 39Ω 1/16W D | 1 | |
| | R309 | RK73HH1J131D | MG RESISTOR | 130Ω 1/16W D | 1 | |
| | R310 | RK73HB1J102J | MG RESISTOR | 1kΩ 1/16W J | 1 | |
| | R311 | RK73HH1J131D | MG RESISTOR | 130Ω 1/16W D | 1 | |
| | R312 | RK73HH1J131D | MG RESISTOR | 130Ω 1/16W D | 1 | |
| | R313 | RK73HH1J330D | MG RESISTOR | 33Ω 1/16W D | 1 | |
| | R314 | RK73HB1J000J | MG RESISTOR | 0Ω 1/16W J | 1 | |
| | R316 | RK73HB1J101J | MG RESISTOR | 100Ω 1/16W J | 1 | |
| | R317 | RK73HB1J101J | MG RESISTOR | 100Ω 1/16W J | 1 | |
| | R318 | RK73HB1J101J | MG RESISTOR | 100Ω 1/16W J | 1 | |
| | R319 | RK73HB1J101J | MG RESISTOR | 100Ω 1/16W J | 1 | |
| | R320 | RK73HB1J101J | MG RESISTOR | 100Ω 1/16W J | 1 | |
| | R324 | RK73HB1J330J | MG RESISTOR | 33Ω 1/16W J | 1 | |
| | R325 | RK73HB1J330J | MG RESISTOR | 33Ω 1/16W J | 1 | |
| | R326 | RK73HB1J101J | MG RESISTOR | 100Ω 1/16W J | 1 | |
| | R327 | RK73HB1J330J | MG RESISTOR | 33Ω 1/16W J | 1 | |
| | R328 | RK73HB1J101J | MG RESISTOR | 100Ω 1/16W J | 1 | |
| | R329 | RK73HB1J103J | MG RESISTOR | 10kΩ 1/16W J | 1 | |
| | R330 | RK73HB1J472J | MG RESISTOR | 4.7kΩ 1/16W J | 1 | |
| | R331 | RK73HB1J470J | MG RESISTOR | 47Ω 1/16W J | 1 | |
| | R332 | RK73HB1J472J | MG RESISTOR | 4.7kΩ 1/16W J | 1 | |
| | R333 | RK73HB1J000J | MG RESISTOR | 0Ω 1/16W J | 1 | |
| | R334 | RK73HB1J101J | MG RESISTOR | 100Ω 1/16W J | 1 | |
| | R335 | RK73HB1J472J | MG RESISTOR | 4.7kΩ 1/16W J | 1 | |
| | R336 | RK73HB1J101J | MG RESISTOR | 100Ω 1/16W J | 1 | |
| | R337 | RK73HB1J560J | MG RESISTOR | 56Ω 1/16W J | 1 | |
| | R338 | RK73HB1J100J | MG RESISTOR | 10Ω 1/16W J | 1 | |
| | R339 | RK73HB1J101J | MG RESISTOR | 100Ω 1/16W J | 1 | |
| | R355 | RK73HB1J101J | MG RESISTOR | 100Ω 1/16W J | 1 | |
| | R357 | RK73HB1J101J | MG RESISTOR | 100Ω 1/16W J | 1 | |
| | R358 | RK73HB1J101J | MG RESISTOR | 100Ω 1/16W J | 1 | |
| | R359 | RK73HB1J222J | MG RESISTOR | 2.2kΩ 1/16W J | 1 | |
| | R360 | RK73HB1J105J | MG RESISTOR | 1MΩ 1/16W J | 1 | |
| | R361 | RK73HB1J680J | MG RESISTOR | 68Ω 1/16W J | 1 | |
| | R362 | RK73HB1J680J | MG RESISTOR | 68Ω 1/16W J | 1 | |
| | R363 | RK73HB1J101J | MG RESISTOR | 100Ω 1/16W J | 1 | |
| | R364 | RK73HB1J472J | MG RESISTOR | 4.7kΩ 1/16W J | 1 | |
| | R371 | RK73HB1J102J | MG RESISTOR | 1kΩ 1/16W J | 1 | |
| | R372 | RK73HB1J473J | MG RESISTOR | 47kΩ 1/16W J | 1 | |
| | R374 | RK73HB1J102J | MG RESISTOR | 1kΩ 1/16W J | 1 | |
| | R375 | RK73HB1J473J | MG RESISTOR | 47kΩ 1/16W J | 1 | |
| | R376 | RK73HB1J102J | MG RESISTOR | 1kΩ 1/16W J | 1 | |
| | R377 | RK73HB1J472J | MG RESISTOR | 4.7kΩ 1/16W J | 1 | |
| | R378 | RK73HB1J101J | MG RESISTOR | 100Ω 1/16W J | 1 | |
| | R379 | RK73HB1J473J | MG RESISTOR | 47kΩ 1/16W J | 1 | |
| | R380 | RK73HB1J473J | MG RESISTOR | 47kΩ 1/16W J | 1 | |
| | R393 | RK73HB1J101J | MG RESISTOR | 100Ω 1/16W J | 1 | |
| | R394 | RK73HB1J101J | MG RESISTOR | 100Ω 1/16W J | 1 | |
| | R395 | RK73HB1J473J | MG RESISTOR | 47kΩ 1/16W J | 1 | |
| | R398 | RK73HB1J470J | MG RESISTOR | 47Ω 1/16W J | 1 | |
| | R399 | RK73GB2A472J | MG RESISTOR | 4.7kΩ 1/10W J | 1 | |
| | R400 | RK73GH2A361D | MG RESISTOR | 360Ω 1/10W D | 1 | |
| | R401 | RK73GH2A361D | MG RESISTOR | 360Ω 1/10W D | 1 | |
| | R402 | RK73GH2A361D | MG RESISTOR | 360Ω 1/10W D | 1 | |
| | R403 | RK73GH2A361D | MG RESISTOR | 360Ω 1/10W D | 1 | |
| | R404 | RK73GH2A361D | MG RESISTOR | 360Ω 1/10W D | 1 | |
| | R405 | RK73GH2A361D | MG RESISTOR | 360Ω 1/10W D | 1 | |
| | R406 | RK73GH2A361D | MG RESISTOR | 360Ω 1/10W D | 1 | |
| | R407 | RK73GH2A361D | MG RESISTOR | 360Ω 1/10W D | 1 | |
| | R408 | RK73GH2A361D | MG RESISTOR | 360Ω 1/10W D | 1 | |
| | R409 | RK73GH2A361D | MG RESISTOR | 360Ω 1/10W D | 1 | |
| | R410 | RK73HB1J000J | MG RESISTOR | 0Ω 1/16W J | 1 | |
| | R411 | RK73HB1J101J | MG RESISTOR | 100Ω 1/16W J | 1 | |
| | R412 | RK73HB1J101J | MG RESISTOR | 100Ω 1/16W J | 1 | |
| | R413 | RK73HB1J101J | MG RESISTOR | 100Ω 1/16W J | 1 | |
| | R414 | RK73HB1J101J | MG RESISTOR | 100Ω 1/16W J | 1 | |
| | R415 | RK73HB1J101J | MG RESISTOR | 100Ω 1/16W J | 1 | |
| | R416 | RK73HB1J101J | MG RESISTOR | 100Ω 1/16W J | 1 | |
| | R417 | RK73GH2A361D | MG RESISTOR | 360Ω 1/10W D | 1 | |
| | R418 | RK73GH2A361D | MG RESISTOR | 360Ω 1/10W D | 1 | |
| | R419 | RK73GH2A361D | MG RESISTOR | 360Ω 1/10W D | 1 | |
| | R420 | RK73GH2A361D | MG RESISTOR | 360Ω 1/10W D | 1 | |
| | R421 | RK73GH2A361D | MG RESISTOR | 360Ω 1/10W D | 1 | |
| | R422 | RK73GH2A361D | MG RESISTOR | 360Ω 1/10W D | 1 | |
| | R423 | RK73GH2A361D | MG RESISTOR | 360Ω 1/10W D | 1 | |
| | R424 | RK73GH2A361D | MG RESISTOR | 360Ω 1/10W D | 1 | |
| | R425 | RK73HH1J102D | MG RESISTOR | 1kΩ 1/16W D | 1 | |
| | R426 | RK73HH1J202D | MG RESISTOR | 2kΩ 1/16W D | 1 | |

| | | | | | | | |
|------------|------|------------|------|------------|------|------------|------|
| MODEL | MARK | MODEL | MARK | MODEL | MARK | MODEL | MARK |
| DNX4150BT | E4 | DNX4150BT | M1 | DNX4150BT | R2 | DNX4150BT | X2 |
| DNX4150BTM | M2 | DNX4150BTR | Q1 | DNX4150DAB | E3 | DNX4150DAB | X1 |
| DNX572BH | K3 | DNX692 | K2 | | | | |

| Safe | Symbol No. | Parts No. | Parts Name | Description | QTY | Local |
|------|------------|---------------|-------------|---------------|-----|-------|
| | R427 | RK73GB2A511J | MG RESISTOR | 510Ω 1/10W J | 1 | |
| | R428 | RK73GB2A511J | MG RESISTOR | 510Ω 1/10W J | 1 | |
| | R431 | RK73HH1J104D | MG RESISTOR | 100kΩ 1/16W D | 1 | |
| | R432 | RK73HH1J563D | MG RESISTOR | 56kΩ 1/16W D | 1 | |
| | R433 | RK73HB1J000J | MG RESISTOR | 0Ω 1/16W J | 1 | |
| | R434 | RK73HH1J152D | MG RESISTOR | 1.5kΩ 1/16W D | 1 | |
| | R435 | RK73HH1J134D | MG RESISTOR | 130kΩ 1/16W D | 1 | |
| | R436 | RK73HH1J103D | MG RESISTOR | 10kΩ 1/16W D | 1 | |
| | R437 | RK73HH1J751D | MG RESISTOR | 750Ω 1/16W D | 1 | |
| | R438 | RK73HB1J101J | MG RESISTOR | 100Ω 1/16W J | 1 | |
| | R439 | RK73HH1J563D | MG RESISTOR | 56kΩ 1/16W D | 1 | |
| | R440 | RK73HB1J4R7J | MG RESISTOR | 4.7Ω 1/16W J | 1 | |
| | R441 | RK73HB1J000J | MG RESISTOR | 0Ω 1/16W J | 1 | |
| | R442 | NRZ0126-R033X | MG RESISTOR | 0.033Ω 1/3W J | 1 | |
| | R443 | RK73HB1J103J | MG RESISTOR | 10kΩ 1/16W J | 1 | |
| | R444 | RK73HB1J101J | MG RESISTOR | 100Ω 1/16W J | 1 | |
| | R445 | RK73HB1J101J | MG RESISTOR | 100Ω 1/16W J | 1 | |
| | R446 | RK73HB1J101J | MG RESISTOR | 100Ω 1/16W J | 1 | |
| | R447 | RK73GB2A472J | MG RESISTOR | 4.7kΩ 1/10W J | 1 | |
| | R448 | RK73HB1J102J | MG RESISTOR | 1kΩ 1/16W J | 1 | |
| | R449 | RK73HH1J153D | MG RESISTOR | 15kΩ 1/16W D | 1 | |
| | R450 | RK73HH1J153D | MG RESISTOR | 15kΩ 1/16W D | 1 | |
| | R451 | RK73HH1J433D | MG RESISTOR | 43kΩ 1/16W D | 1 | |
| | R452 | RK73HH1J913D | MG RESISTOR | 91kΩ 1/16W D | 1 | |
| | R453 | RK73HH1J184D | MG RESISTOR | 180kΩ 1/16W D | 1 | |
| | R454 | RK73HH1J434D | MG RESISTOR | 430kΩ 1/16W D | 1 | |
| | R455 | RK73HB1J473J | MG RESISTOR | 47kΩ 1/16W J | 1 | |
| | R457 | RK73HB1J473J | MG RESISTOR | 47kΩ 1/16W J | 1 | |
| | R458 | RK73HB1J473J | MG RESISTOR | 47kΩ 1/16W J | 1 | |
| | R459 | RK73HB1J473J | MG RESISTOR | 47kΩ 1/16W J | 1 | |
| | R460 | RK73HB1J473J | MG RESISTOR | 47kΩ 1/16W J | 1 | |
| | R461 | RK73HB1J473J | MG RESISTOR | 47kΩ 1/16W J | 1 | |
| | R462 | RK73HB1J473J | MG RESISTOR | 47kΩ 1/16W J | 1 | |
| | R463 | RK73GB2A511J | MG RESISTOR | 510Ω 1/10W J | 1 | |
| | R464 | NRZ0134-560X | MG RESISTOR | 56Ω | 1 | |
| | R465 | NRZ0134-560X | MG RESISTOR | 56Ω | 1 | |
| | R466 | RK73HB1J102J | MG RESISTOR | 1kΩ 1/16W J | 1 | |
| | R467 | RK73HB1J472J | MG RESISTOR | 4.7kΩ 1/16W J | 1 | |
| | R469 | RK73HB1J103J | MG RESISTOR | 10kΩ 1/16W J | 1 | |
| | R470 | RK73HB1J473J | MG RESISTOR | 47kΩ 1/16W J | 1 | |
| | R471 | RK73HB1J472J | MG RESISTOR | 4.7kΩ 1/16W J | 1 | |
| | R472 | RK73GB2A511J | MG RESISTOR | 510Ω 1/10W J | 1 | |
| | R473 | RK73GB2A511J | MG RESISTOR | 510Ω 1/10W J | 1 | |
| | R474 | RK73GB2A511J | MG RESISTOR | 510Ω 1/10W J | 1 | |
| | R475 | RK73HB1J101J | MG RESISTOR | 100Ω 1/16W J | 1 | |
| | R476 | RK73GH2A361D | MG RESISTOR | 360Ω 1/10W D | 1 | |
| | R477 | RK73GH2A361D | MG RESISTOR | 360Ω 1/10W D | 1 | |
| | R478 | RK73HH1J102D | MG RESISTOR | 1kΩ 1/16W D | 1 | |
| | R479 | RK73HH1J202D | MG RESISTOR | 2kΩ 1/16W D | 1 | |
| | R480 | RK73HB1J473J | MG RESISTOR | 47kΩ 1/16W J | 1 | |
| | R501 | RK73GB2A100J | MG RESISTOR | 10Ω 1/10W J | 1 | |
| | R502 | RK73GB2A100J | MG RESISTOR | 10Ω 1/10W J | 1 | |
| | R503 | RK73GB2A100J | MG RESISTOR | 10Ω 1/10W J | 1 | |
| | R504 | RK73GB2A100J | MG RESISTOR | 10Ω 1/10W J | 1 | |
| | R505 | RK73GH2A220D | MG RESISTOR | 22Ω 1/10W D | 1 | |
| | R506 | RK73GH2A100D | MG RESISTOR | 10Ω 1/10W D | 1 | |
| | R507 | RK73GH2A220D | MG RESISTOR | 22Ω 1/10W D | 1 | |
| | R508 | RK73GH2A100D | MG RESISTOR | 10Ω 1/10W D | 1 | |
| | R509 | RK73GB2A224J | MG RESISTOR | 220kΩ 1/10W J | 1 | |
| | R510 | RK73HB1J473J | MG RESISTOR | 47kΩ 1/16W J | 1 | |
| | R511 | RK73HB1J222J | MG RESISTOR | 2.2kΩ 1/16W J | 1 | |
| | R512 | RK73HB1J473J | MG RESISTOR | 47kΩ 1/16W J | 1 | |
| | R513 | RK73HB1J222J | MG RESISTOR | 2.2kΩ 1/16W J | 1 | |
| | R516 | RK73HB1J473J | MG RESISTOR | 47kΩ 1/16W J | 1 | |
| | R517 | RK73HB1J222J | MG RESISTOR | 2.2kΩ 1/16W J | 1 | |
| | R518 | RK73HB1J473J | MG RESISTOR | 47kΩ 1/16W J | 1 | |
| | R519 | RK73HB1J222J | MG RESISTOR | 2.2kΩ 1/16W J | 1 | |
| | R522 | RK73HB1J103J | MG RESISTOR | 10kΩ 1/16W J | 1 | |
| | R524 | RK73HB1J102J | MG RESISTOR | 1kΩ 1/16W J | 1 | |
| | R525 | RK73HH1J621D | MG RESISTOR | 620Ω 1/16W D | 1 | |
| | R601 | RK73GB2A331J | MG RESISTOR | 330Ω 1/10W J | 1 | |
| | R602 | RK73HH1J820D | MG RESISTOR | 82Ω 1/16W D | 1 | |
| | R603 | RK73HH1J161D | MG RESISTOR | 160Ω 1/16W D | 1 | |
| | R604 | RK73HH1J430D | MG RESISTOR | 43Ω 1/16W D | 1 | |
| | R605 | RK73HH1J390D | MG RESISTOR | 39Ω 1/16W D | 1 | |
| | R606 | RK73HH1J101D | MG RESISTOR | 100Ω 1/16W D | 1 | |
| | R607 | RK73HH1J161D | MG RESISTOR | 160Ω 1/16W D | 1 | |
| | R608 | RK73HH1J101D | MG RESISTOR | 100Ω 1/16W D | 1 | |
| | R609 | RK73HH1J390D | MG RESISTOR | 39Ω 1/16W D | 1 | |
| | R610 | RK73HH1J430D | MG RESISTOR | 43Ω 1/16W D | 1 | |
| | R611 | RK73HH1J161D | MG RESISTOR | 160Ω 1/16W D | 1 | |
| | R612 | RK73HH1J620D | MG RESISTOR | 62Ω 1/16W D | 1 | |
| | R613 | RK73HB1J101J | MG RESISTOR | 100Ω 1/16W J | 1 | |
| | R614 | RK73HB1J103J | MG RESISTOR | 10kΩ 1/16W J | 1 | |
| | R616 | RK73EB2E392J | MG RESISTOR | 3.9kΩ 1/4W J | 1 | |
| | R617 | RK73HB1J472J | MG RESISTOR | 4.7kΩ 1/16W J | 1 | |
| | R618 | RK73EB2E102J | MG RESISTOR | 1kΩ 1/4W J | 1 | |
| | R620 | RK73HB1J000J | MG RESISTOR | 0Ω 1/16W J | 1 | |
| | R621 | RK73HB1J000J | MG RESISTOR | 0Ω 1/16W J | 1 | |
| | R622 | RK73HB1J000J | MG RESISTOR | 0Ω 1/16W J | 1 | |

| MODEL | MARK | MODEL | MARK | MODEL | MARK | MODEL | MARK |
|------------|------|------------|------|------------|------|------------|------|
| DNX4150BT | E4 | DNX4150BT | M1 | DNX4150BT | R2 | DNX4150BT | X2 |
| DNX4150BTM | M2 | DNX4150BTR | Q1 | DNX4150DAB | E3 | DNX4150DAB | X1 |
| DNX572BH | K3 | DNX692 | K2 | | | | |

| Safe | Symbol No. | Parts No. | Parts Name | Description | QTY | Local |
|--|------------|----------------|-----------------|----------------|-----|-------|
| | R623 | RK73HB1J473J | MG RESISTOR | 47kΩ 1/16W J | 1 | |
| | R716 | RK73HB1J000J | MG RESISTOR | 0Ω 1/16W J | 1 | |
| | R718 | RK73HB1J392J | MG RESISTOR | 3.9kΩ 1/16W J | 1 | |
| | R719 | RK73HB1J681J | MG RESISTOR | 680Ω 1/16W J | 1 | |
| | R720 | RK73HB1J393J | MG RESISTOR | 39kΩ 1/16W J | 1 | |
| | R721 | RK73HH1J104D | MG RESISTOR | 100kΩ 1/16W D | 1 | |
| | R723 | RK73HH1J332D | MG RESISTOR | 3.3kΩ 1/16W D | 1 | |
| | R725 | RK73HH1J393D | MG RESISTOR | 39kΩ 1/16W D | 1 | |
| | R726 | RK73HH1J103D | MG RESISTOR | 10kΩ 1/16W D | 1 | |
| | R727 | RK73HH1J183D | MG RESISTOR | 18kΩ 1/16W D | 1 | |
| | R728 | RK73HB1J472J | MG RESISTOR | 4.7kΩ 1/16W J | 1 | |
| | R729 | RK73HB1J104J | MG RESISTOR | 100kΩ 1/16W J | 1 | |
| | R731 | RK73HH1J621D | MG RESISTOR | 620Ω 1/16W D | 1 | |
| | R732 | RK73HB1J000J | MG RESISTOR | 0Ω 1/16W J | 1 | |
| | R735 | RK73HB1J000J | MG RESISTOR | 0Ω 1/16W J | 1 | |
| | R736 | RK73HB1J821J | MG RESISTOR | 820Ω 1/16W J | 1 | |
| | R737 | RK73HB1J103J | MG RESISTOR | 10kΩ 1/16W J | 1 | |
| | R738 | RK73HB1J102J | MG RESISTOR | 1kΩ 1/16W J | 1 | |
| | R739 | RK73HB1J103J | MG RESISTOR | 10kΩ 1/16W J | 1 | |
| | R740 | RK73HB1J103J | MG RESISTOR | 10kΩ 1/16W J | 1 | |
| | R741 | RK73HB1J473J | MG RESISTOR | 47kΩ 1/16W J | 1 | |
| | R742 | RK73HB1J104J | MG RESISTOR | 100kΩ 1/16W J | 1 | |
| | R801 | RK73HB1J101J | MG RESISTOR | 100Ω 1/16W J | 1 | |
| | R802 | RK73HB1J101J | MG RESISTOR | 100Ω 1/16W J | 1 | |
| | R803 | RK73HB1J101J | MG RESISTOR | 100Ω 1/16W J | 1 | |
| | R804 | RK73HB1J473J | MG RESISTOR | 47kΩ 1/16W J | 1 | |
| | R805 | RK73GH2A181D | MG RESISTOR | 180Ω 1/10W D | 1 | |
| | R806 | RK73HB1J473J | MG RESISTOR | 47kΩ 1/16W J | 1 | |
| | R807 | RK73GH2A181D | MG RESISTOR | 180Ω 1/10W D | 1 | |
| | R808 | RK73HB1J473J | MG RESISTOR | 47kΩ 1/16W J | 1 | |
| | R809 | RK73GH2A181D | MG RESISTOR | 180Ω 1/10W D | 1 | |
| | R816 | RK73HB1J822J | MG RESISTOR | 8.2kΩ 1/16W J | 1 | |
| | R817 | RK73HB1J392J | MG RESISTOR | 3.9kΩ 1/16W J | 1 | |
| | R818 | RK73GB2A000J | MG RESISTOR | 0Ω 1/10W J | 1 | |
| | R819 | RK73HB1J101J | MG RESISTOR | 100Ω 1/16W J | 1 | |
| | R820 | RK73HB1J361J | MG RESISTOR | 360Ω 1/16W J | 1 | |
| | R821 | RK73GB2A111J | MG RESISTOR | 110Ω 1/10W J | 1 | |
| | R822 | RK73GB2A201J | MG RESISTOR | 200Ω 1/10W J | 1 | |
| | R823 | RK73GB2A111J | MG RESISTOR | 110Ω 1/10W J | 1 | |
| | R824 | RK73GB2A111J | MG RESISTOR | 110Ω 1/10W J | 1 | |
| | R825 | RK73GB2A201J | MG RESISTOR | 200Ω 1/10W J | 1 | |
| | R826 | RK73GB2A111J | MG RESISTOR | 110Ω 1/10W J | 1 | |
| | R943 | RK73GB2A2R2J | MG RESISTOR | 2.2Ω 1/10W J | 1 | |
| | R952 | RK73GB2A2R2J | MG RESISTOR | 2.2Ω 1/10W J | 1 | |
| | R953 | RK73GB2A000J | MG RESISTOR | 0Ω 1/10W J | 1 | |
| | R954 | RK73GB2A000J | MG RESISTOR | 0Ω 1/10W J | 1 | |
| | R973 | RK73GB2A2R2J | MG RESISTOR | 2.2Ω 1/10W J | 1 | |
| | RA301 | RK74HB1J101J | NET RESISTOR | 100Ω 1/16W J | 1 | |
| | RA302 | RK74HB1J101J | NET RESISTOR | 100Ω 1/16W J | 1 | |
| | RA303 | RK74HB1J101J | NET RESISTOR | 100Ω 1/16W J | 1 | |
| | RA304 | RK74HB1J101J | NET RESISTOR | 100Ω 1/16W J | 1 | |
| | RA305 | RK74HB1J101J | NET RESISTOR | 100Ω 1/16W J | 1 | |
| | RA306 | RK74HB1J101J | NET RESISTOR | 100Ω 1/16W J | 1 | |
| | L151 | LB73G0BF-003 | CHIP FERRITE | | 1 | |
| | L201 | LB73G0BF-002 | CHIP FERRITE | | 1 | |
| | L301 | LB73G0BF-003 | CHIP FERRITE | | 1 | |
| | L303 | LB73G0BF-003 | CHIP FERRITE | | 1 | |
| | L305 | LB73G0BF-003 | CHIP FERRITE | | 1 | |
| | L306 | LB73G0BF-003 | CHIP FERRITE | | 1 | |
| | L307 | LB73G0BF-003 | CHIP FERRITE | | 1 | |
| | L308 | LK73G0BER15K | M.CHIP INDUCTOR | | 1 | |
| | L309 | LR73Z0AC100K | CHIP INDUCTOR | 10uH | 1 | |
| | L401 | LR79Z0FB220M | CHIP INDUCTOR | | 1 | |
| | L402 | NQR0716-001X | FERRITE CORE | | 1 | |
| | L501 | LR73Z0AC100K | CHIP INDUCTOR | 10uH | 1 | |
| | CN1 | QGF0534F6-14X | FFC/FPC CONNE | FFC/FPC (1-14) | 1 | |
| | CN101 | QGF0534F7-60X | FFC/FPC CONNE | FFC/FPC (1-60) | 1 | |
| | CN201 | QGF0545F2-10X | FFC/FPC CONNE | FFC/FPC (1-10) | 1 | |
| | CN401 | QGA3501F1-02X | CONNECTOR | W-B (1-2) | 1 | |
| | CN501 | QGF1041C4-04W | FFC/FPC CONNE | FFC/FPC (1-4) | 1 | |
| | CN601 | QGF0534F7-60X | FFC/FPC CONNE | FFC/FPC (1-60) | 1 | |
| | J1 | NNZ0268-001X | SD CARD CONNE | | 1 | |
| | JS801 | QSW1279-001 | ROTARY ENCODER | | 1 | |
| | S801 | NSW0246-001X | TACT SWITCH | | 1 | |
| | S802 | NSW0246-001X | TACT SWITCH | | 1 | |
| | S803 | NSW0246-001X | TACT SWITCH | | 1 | |
| | S804 | NSW0246-001X | TACT SWITCH | | 1 | |
| | S805 | NSW0246-001X | TACT SWITCH | | 1 | |
| | VA501 | NAF0042-270X | VARIATOR(ZNR) | | 1 | |
| | VA502 | NAF0042-270X | VARIATOR(ZNR) | | 1 | |
| | VA503 | NAF0042-270X | VARIATOR(ZNR) | | 1 | |
| | VA504 | NAF0042-270X | VARIATOR(ZNR) | | 1 | |
| | VA801 | NAF0042-270X | VARIATOR(ZNR) | | 1 | |
| | X201 | NAX1201-001X | CRYSTAL | | 1 | |
| | X301 | NAX1260-001X | CRYSTAL | | 1 | |
| DVD MECHA PWB ASSY (LVA11172-07A) <06> | | | | | | |
| | IC1 | AN41250A-X | IC | | 1 | |
| | IC2 | M12L128168A6TG | SV-DRAM IC | | 1 | |

| | | | | | | | |
|------------|------|------------|------|------------|------|------------|------|
| MODEL | MARK | MODEL | MARK | MODEL | MARK | MODEL | MARK |
| DNX4150BT | E4 | DNX4150BT | M1 | DNX4150BT | R2 | DNX4150BT | X2 |
| DNX4150BTM | M2 | DNX4150BTR | Q1 | DNX4150DAB | E3 | DNX4150DAB | X1 |
| DNX572BH | K3 | DNX692 | K2 | | | | |

| Safe | Symbol No. | Parts No. | Parts Name | Description | QTY | Local |
|------|------------|----------------|-----------------|---------------|-----|-------|
| | IC3 | WZZ-0024-00 | PROGRAMMED IC | | 1 | |
| | IC4 | MN2DS0041MD | IC | | 1 | |
| | IC5 | BD12KA5FP-X | IC | | 1 | |
| | Q1 | 2SK3019-X | MOS FET | | 1 | |
| | Q2 | 2SK3019-X | MOS FET | | 1 | |
| | Q3 | LSCR523EBFS8 | TRANSISTOR | | 1 | |
| | Q4 | 2SB1709MG | TRANSISTOR | | 1 | |
| | Q5 | LSCR523EBFS8 | TRANSISTOR | | 1 | |
| | Q6 | 2SB1709MG | TRANSISTOR | | 1 | |
| | Q11 | LTA014TEB-X | DIGI TRANSISTOR | | 1 | |
| | Q12 | LTA014TEB-X | DIGI TRANSISTOR | | 1 | |
| | D1 | TAN1102W-22-X | IR LED | | 1 | |
| | D4 | TAN1102W-22-X | IR LED | | 1 | |
| | C1 | CK73HBB1E103K | C CAPACITOR | 0.01uF 25V K | 1 | |
| | C2 | NCB20JK-106X | C CAPACITOR | 10uF 6.3V K | 1 | |
| | C6 | NCJ20JM-226X-A | C CAPACITOR | 22uF 6.3V M | 1 | |
| | C7 | CK73HBB1E103K | C CAPACITOR | 0.01uF 25V K | 1 | |
| | C8 | CK73HBB1E103K | C CAPACITOR | 0.01uF 25V K | 1 | |
| | C10 | NCJ30JK-475X-A | C CAPACITOR | 4.7uF 6.3V K | 1 | |
| | C12 | NCB20JK-106X | C CAPACITOR | 10uF 6.3V K | 1 | |
| | C13 | NCB20JK-106X | C CAPACITOR | 10uF 6.3V K | 1 | |
| | C14 | CK73HBB1A104K | C CAPACITOR | 0.1uF 10V K | 1 | |
| | C16 | CK73HBB1C333K | C CAPACITOR | 0.033uF 16V K | 1 | |
| | C17 | CK73HBB1A104K | C CAPACITOR | 0.1uF 10V K | 1 | |
| | C18 | CC73HCH1H120J | C CAPACITOR | 12pF 50V J | 1 | |
| | C19 | CK73HBB1A104K | C CAPACITOR | 0.1uF 10V K | 1 | |
| | C20 | CK73HBB1A104K | C CAPACITOR | 0.1uF 10V K | 1 | |
| | C21 | CK73HBB1A104K | C CAPACITOR | 0.1uF 10V K | 1 | |
| | C22 | CK73HBB1A104K | C CAPACITOR | 0.1uF 10V K | 1 | |
| | C23 | CC73HCH1H120J | C CAPACITOR | 12pF 50V J | 1 | |
| | C24 | NCJA0JK-105W-A | C CAPACITOR | 1uF 6.3V K | 1 | |
| | C25 | NCJA0JK-105W-A | C CAPACITOR | 1uF 6.3V K | 1 | |
| | C26 | CC73HCH1H102J | C CAPACITOR | 1000pF 50V J | 1 | |
| | C28 | NCB20JK-106X | C CAPACITOR | 10uF 6.3V K | 1 | |
| | C29 | NCB20JK-106X | C CAPACITOR | 10uF 6.3V K | 1 | |
| | C31 | NCJ30JK-475X-A | C CAPACITOR | 4.7uF 6.3V K | 1 | |
| | C33 | NCBA1HK-682W | C CAPACITOR | 6800pF 50V K | 1 | |
| | C34 | NCBA1HK-682W | C CAPACITOR | 6800pF 50V K | 1 | |
| | C35 | CC73HCH1H681J | C CAPACITOR | 680pF 50V J | 1 | |
| | C36 | CC73HCH1H471J | C CAPACITOR | 470pF 50V J | 1 | |
| | C37 | NCB20JK-106X | C CAPACITOR | 10uF 6.3V K | 1 | |
| | C38 | NCB20JK-106X | C CAPACITOR | 10uF 6.3V K | 1 | |
| | C45 | CK73HBB1A104K | C CAPACITOR | 0.1uF 10V K | 1 | |
| | C47 | CK73HBB1A104K | C CAPACITOR | 0.1uF 10V K | 1 | |
| | C48 | CK73HBB1H222K | C CAPACITOR | 2200pF 50V K | 1 | |
| | C49 | CK73HBB1A104K | C CAPACITOR | 0.1uF 10V K | 1 | |
| | C50 | CK73HBB1H222K | C CAPACITOR | 2200pF 50V K | 1 | |
| | C51 | CK73HBB1H472K | C CAPACITOR | 4700pF 50V K | 1 | |
| | C52 | CK73HBB1E103K | C CAPACITOR | 0.01uF 25V K | 1 | |
| | C53 | CK73HBB1H222K | C CAPACITOR | 2200pF 50V K | 1 | |
| | C55 | CK73HBB1A104K | C CAPACITOR | 0.1uF 10V K | 1 | |
| | C56 | CK73HBB1H222K | C CAPACITOR | 2200pF 50V K | 1 | |
| | C57 | CK73HBB1E103K | C CAPACITOR | 0.01uF 25V K | 1 | |
| | C58 | CK73HBB1E103K | C CAPACITOR | 0.01uF 25V K | 1 | |
| | C59 | CK73HBB1A104K | C CAPACITOR | 0.1uF 10V K | 1 | |
| | C60 | CK73HBB1A104K | C CAPACITOR | 0.1uF 10V K | 1 | |
| | C61 | CK73HBB1A104K | C CAPACITOR | 0.1uF 10V K | 1 | |
| | C62 | CK73HBB1A104K | C CAPACITOR | 0.1uF 10V K | 1 | |
| | C63 | CK73HBB1A104K | C CAPACITOR | 0.1uF 10V K | 1 | |
| | C64 | CK73HBB1A104K | C CAPACITOR | 0.1uF 10V K | 1 | |
| | C65 | CK73HBB1A104K | C CAPACITOR | 0.1uF 10V K | 1 | |
| | C66 | CK73HBB1A104K | C CAPACITOR | 0.1uF 10V K | 1 | |
| | C67 | CK73HBB1A104K | C CAPACITOR | 0.1uF 10V K | 1 | |
| | C68 | CK73HBB1E103K | C CAPACITOR | 0.01uF 25V K | 1 | |
| | C70 | NCJA0JK-105W-A | C CAPACITOR | 1uF 6.3V K | 1 | |
| | C71 | CK73HBB1A104K | C CAPACITOR | 0.1uF 10V K | 1 | |
| | C74 | CK73HBB1A104K | C CAPACITOR | 0.1uF 10V K | 1 | |
| | C75 | CC73HCH1H101J | C CAPACITOR | 100pF 50V J | 1 | |
| | C76 | NCJ20JM-226X-A | C CAPACITOR | 22uF 6.3V M | 1 | |
| | C77 | CK73HBB1A104K | C CAPACITOR | 0.1uF 10V K | 1 | |
| | C78 | NCJ30JK-475X-A | C CAPACITOR | 4.7uF 6.3V K | 1 | |
| | C79 | CK73HBB1H222K | C CAPACITOR | 2200pF 50V K | 1 | |
| | C80 | CK73HBB1H222K | C CAPACITOR | 2200pF 50V K | 1 | |
| | C81 | NCJA0JK-105W-A | C CAPACITOR | 1uF 6.3V K | 1 | |
| | C82 | NCJA0JK-105W-A | C CAPACITOR | 1uF 6.3V K | 1 | |
| | C84 | NCB20JK-106X | C CAPACITOR | 10uF 6.3V K | 1 | |
| | C85 | CK73HBB1A104K | C CAPACITOR | 0.1uF 10V K | 1 | |
| | C86 | CK73HBB1A104K | C CAPACITOR | 0.1uF 10V K | 1 | |
| | C87 | CK73HBB1A104K | C CAPACITOR | 0.1uF 10V K | 1 | |
| | C88 | CK73HBB1A104K | C CAPACITOR | 0.1uF 10V K | 1 | |
| | C89 | CK73HBB1A104K | C CAPACITOR | 0.1uF 10V K | 1 | |
| | C90 | CK73HBB1A104K | C CAPACITOR | 0.1uF 10V K | 1 | |
| | C91 | CK73HBB1A104K | C CAPACITOR | 0.1uF 10V K | 1 | |
| | C92 | CK73HBB1A104K | C CAPACITOR | 0.1uF 10V K | 1 | |
| | C93 | CK73HBB1A104K | C CAPACITOR | 0.1uF 10V K | 1 | |
| | C94 | NCJ20JM-226X-A | C CAPACITOR | 22uF 6.3V M | 1 | |
| | C95 | NCJ20JM-226X-A | C CAPACITOR | 22uF 6.3V M | 1 | |
| | C96 | NCJ20JM-226X-A | C CAPACITOR | 22uF 6.3V M | 1 | |
| | C101 | NCJ20JM-226X-A | C CAPACITOR | 22uF 6.3V M | 1 | |
| | C102 | NCJ20JM-226X-A | C CAPACITOR | 22uF 6.3V M | 1 | |

| | | | | | | | |
|------------|------|------------|------|------------|------|------------|------|
| MODEL | MARK | MODEL | MARK | MODEL | MARK | MODEL | MARK |
| DNX4150BT | E4 | DNX4150BT | M1 | DNX4150BT | R2 | DNX4150BT | X2 |
| DNX4150BTM | M2 | DNX4150BTR | Q1 | DNX4150DAB | E3 | DNX4150DAB | X1 |
| DNX572BH | K3 | DNX692 | K2 | | | | |

| Safe | Symbol No. | Parts No. | Parts Name | Description | QTY | Local |
|------|------------|---------------|-----------------|----------------|-----|-------|
| | C103 | CK73HBB1H222K | C CAPACITOR | 2200pF 50V K | 1 | |
| | C104 | CK73HBB1H222K | C CAPACITOR | 2200pF 50V K | 1 | |
| | C105 | CC73HCH1H150J | C CAPACITOR | 15pF 50V J | 1 | |
| | R1 | RK73GB2A561J | MG RESISTOR | 560Ω 1/10W J | 1 | |
| | R2 | RK73HB1J271J | MG RESISTOR | 270Ω 1/16W J | 1 | |
| | R3 | RK73HB1J301J | MG RESISTOR | 300Ω 1/16W J | 1 | |
| | R4 | RK73GB2A561J | MG RESISTOR | 560Ω 1/10W J | 1 | |
| | R5 | RK73HB1J163J | MG RESISTOR | 16kΩ 1/16W J | 1 | |
| | R6 | RK73HB1J103J | MG RESISTOR | 10kΩ 1/16W J | 1 | |
| | R7 | RK73HB1J103J | MG RESISTOR | 10kΩ 1/16W J | 1 | |
| | R8 | RK73HB1J103J | MG RESISTOR | 10kΩ 1/16W J | 1 | |
| | R9 | RK73HB1J333J | MG RESISTOR | 33kΩ 1/16W J | 1 | |
| | R10 | RK73HB1J103J | MG RESISTOR | 10kΩ 1/16W J | 1 | |
| | R11 | RK73HB1J103J | MG RESISTOR | 10kΩ 1/16W J | 1 | |
| | R12 | RK73HB1J103J | MG RESISTOR | 10kΩ 1/16W J | 1 | |
| | R13 | RK73HB1J101J | MG RESISTOR | 100Ω 1/16W J | 1 | |
| | R14 | RK73HB1J101J | MG RESISTOR | 100Ω 1/16W J | 1 | |
| | R15 | RK73HB1J102J | MG RESISTOR | 1kΩ 1/16W J | 1 | |
| | R16 | RK73HB1J102J | MG RESISTOR | 1kΩ 1/16W J | 1 | |
| | R17 | RK73HB1J105J | MG RESISTOR | 1MΩ 1/16W J | 1 | |
| | R18 | RK73HH1J303D | MG RESISTOR | 30kΩ 1/16W D | 1 | |
| | R19 | RK73HB1J223J | MG RESISTOR | 22kΩ 1/16W J | 1 | |
| | R20 | RK73HB1J471J | MG RESISTOR | 470Ω 1/16W J | 1 | |
| | R21 | RK73HB1J100J | MG RESISTOR | 10Ω 1/16W J | 1 | |
| | R22 | RK73HB1J560J | MG RESISTOR | 56Ω 1/16W J | 1 | |
| | R23 | RK73HB1J2R2J | MG RESISTOR | 2.2Ω 1/16W J | 1 | |
| | R25 | RK73HB1J471J | MG RESISTOR | 470Ω 1/16W J | 1 | |
| | R27 | RK73HB1J471J | MG RESISTOR | 470Ω 1/16W J | 1 | |
| | R28 | RK73HB1J100J | MG RESISTOR | 10Ω 1/16W J | 1 | |
| | R29 | RK73HB1J560J | MG RESISTOR | 56Ω 1/16W J | 1 | |
| | R30 | RK73HB1J2R2J | MG RESISTOR | 2.2Ω 1/16W J | 1 | |
| | R31 | RK73PB2H270J | MG RESISTOR | 27Ω 1/2W J | 1 | |
| | R32 | RK73HB1J203J | MG RESISTOR | 20kΩ 1/16W J | 1 | |
| | R33 | RK73HB1J333J | MG RESISTOR | 33kΩ 1/16W J | 1 | |
| | R34 | RK73HB1J471J | MG RESISTOR | 470Ω 1/16W J | 1 | |
| | R35 | RK73PB2H270J | MG RESISTOR | 27Ω 1/2W J | 1 | |
| | R51 | RK73HB1J223J | MG RESISTOR | 22kΩ 1/16W J | 1 | |
| | R52 | RK73HB1J223J | MG RESISTOR | 22kΩ 1/16W J | 1 | |
| | R53 | NR20098-R27X | MG RESISTOR | 0.27Ω | 1 | |
| | R54 | RK73HB1J103J | MG RESISTOR | 10kΩ 1/16W J | 1 | |
| | R55 | RK73HB1J101J | MG RESISTOR | 100Ω 1/16W J | 1 | |
| | R56 | RK73HB1J103J | MG RESISTOR | 10kΩ 1/16W J | 1 | |
| | R57 | RK73HB1J103J | MG RESISTOR | 10kΩ 1/16W J | 1 | |
| | R58 | RK73HB1J103J | MG RESISTOR | 10kΩ 1/16W J | 1 | |
| | R59 | RK73HB1J103J | MG RESISTOR | 10kΩ 1/16W J | 1 | |
| | R60 | RK73HB1J821J | MG RESISTOR | 820Ω 1/16W J | 1 | |
| | R61 | RK73HB1J242J | MG RESISTOR | 2.4kΩ 1/16W J | 1 | |
| | R62 | RK73HB1J103J | MG RESISTOR | 10kΩ 1/16W J | 1 | |
| | R63 | RK73HB1J332J | MG RESISTOR | 3.3kΩ 1/16W J | 1 | |
| | R64 | RK73HB1J202J | MG RESISTOR | 2kΩ 1/16W J | 1 | |
| | R65 | RK73HB1J102J | MG RESISTOR | 1kΩ 1/16W J | 1 | |
| | R66 | RK73HB1J102J | MG RESISTOR | 1kΩ 1/16W J | 1 | |
| | R69 | RK73HB1J101J | MG RESISTOR | 100Ω 1/16W J | 1 | |
| | R70 | RK73HB1J102J | MG RESISTOR | 1kΩ 1/16W J | 1 | |
| | R71 | RK73HB1J330J | MG RESISTOR | 33Ω 1/16W J | 1 | |
| | R73 | RK73HB1J472J | MG RESISTOR | 4.7kΩ 1/16W J | 1 | |
| | R74 | RK73HB1J4R7J | MG RESISTOR | 4.7Ω 1/16W J | 1 | |
| | R76 | RK73HB1J472J | MG RESISTOR | 4.7kΩ 1/16W J | 1 | |
| | R77 | RK73HB1J4R7J | MG RESISTOR | 4.7Ω 1/16W J | 1 | |
| | R78 | RK73HB1J221J | MG RESISTOR | 220Ω 1/16W J | 1 | |
| | R79 | RK73HB1J221J | MG RESISTOR | 220Ω 1/16W J | 1 | |
| | R80 | RK73HB1J103J | MG RESISTOR | 10kΩ 1/16W J | 1 | |
| | R85 | RK73HB1J820J | MG RESISTOR | 82Ω 1/16W J | 1 | |
| | R86 | RK73HB1J102J | MG RESISTOR | 1kΩ 1/16W J | 1 | |
| | R92 | RK73HB1J103J | MG RESISTOR | 10kΩ 1/16W J | 1 | |
| | R95 | RK73HB1J470J | MG RESISTOR | 47Ω 1/16W J | 1 | |
| | R96 | RK73HB1J103J | MG RESISTOR | 10kΩ 1/16W J | 1 | |
| | R105 | RK73HB1J101J | MG RESISTOR | 100Ω 1/16W J | 1 | |
| | R106 | RK73HB1J103J | MG RESISTOR | 10kΩ 1/16W J | 1 | |
| | R107 | RK73HB1J221J | MG RESISTOR | 220Ω 1/16W J | 1 | |
| | R108 | RK73HB1J221J | MG RESISTOR | 220Ω 1/16W J | 1 | |
| | R113 | RK73HB1J470J | MG RESISTOR | 47Ω 1/16W J | 1 | |
| | CN1 | QGF0534F7-26X | FFC/FPC CONNE | FFC/FPC (1-26) | 1 | |
| | CN4 | QGF0534F7-40X | FFC/FPC CONNE | FFC/FPC (1-40) | 1 | |
| | CN5 | QGF0534F7-18X | FFC/FPC CONNE | FFC/FPC (1-18) | 1 | |
| | PH1 | PS1192HB-22-X | OPT TRANSMITTER | | 1 | |
| | PH2 | PS1192HB-22-X | OPT TRANSMITTER | | 1 | |
| | S1 | NSW0351-001X | LEVER SWITCH | | 1 | |
| | TH1 | NAD0055-103X | N THERMISTOR | 10kΩ | 1 | |
| | X1 | NAX1135-001X | CRYSTAL | | 1 | |