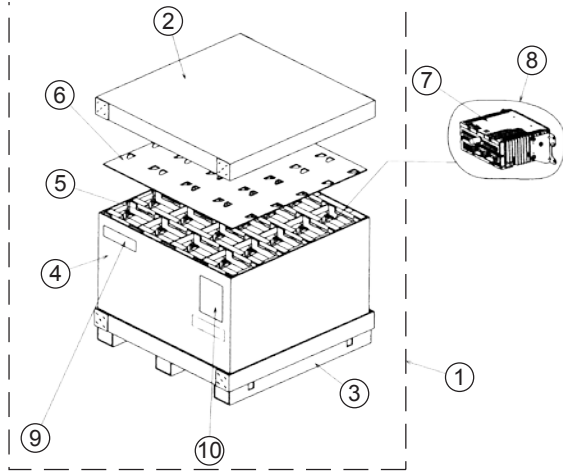


COMPONENTS

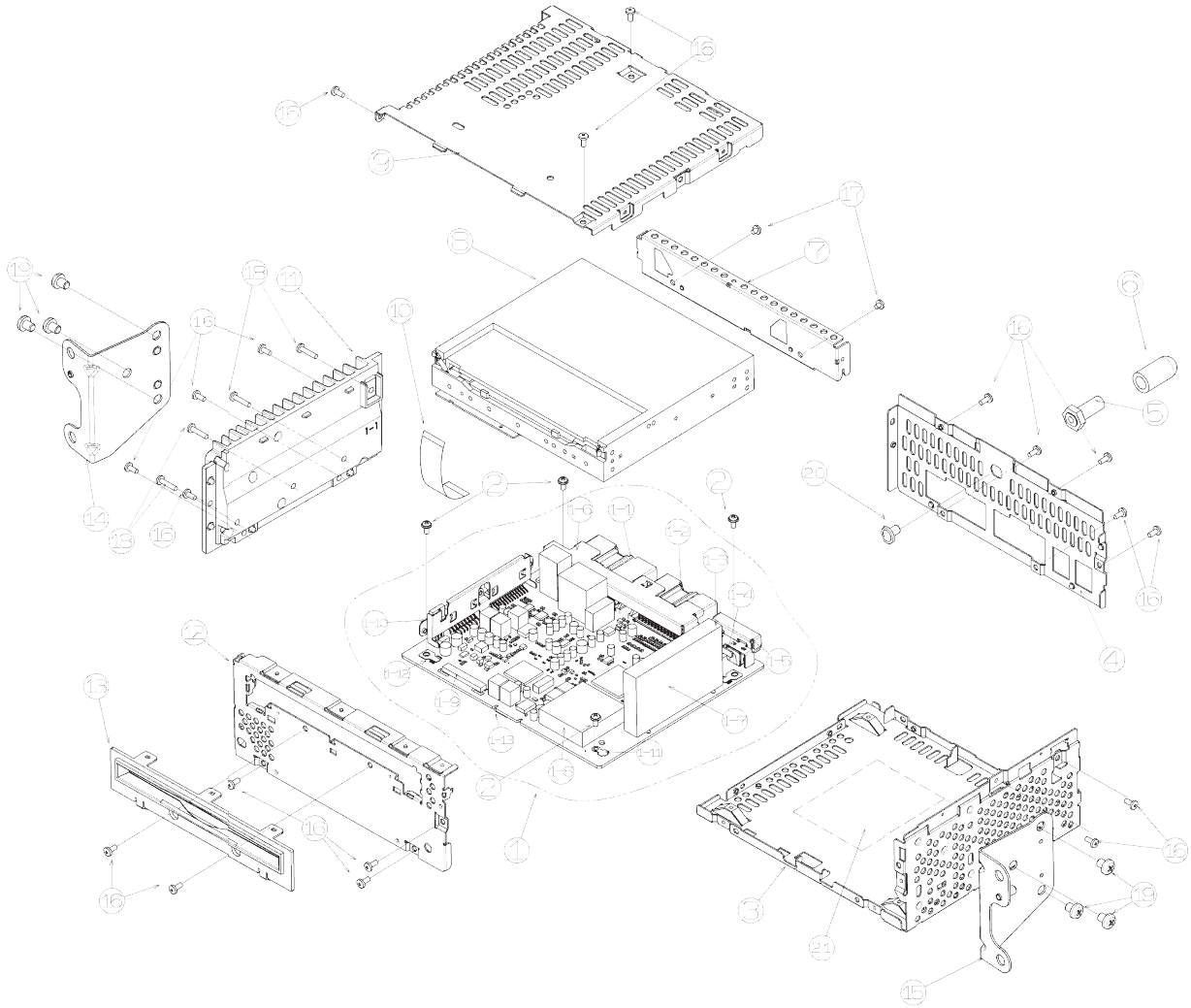
PU-3527L-A

1.	Carton assembly	-----	1/140
2.	Upper carton	-----	1/140
3.	Base carton	-----	1/140
4.	Side carton	-----	1/140
5.	Inner carton	-----	7/140
6.	Cover carton	-----	1/140
7.	Main unit	-----	1
8.	Plastic bag	-----	1
9.	Setplate	-----	1
10.	Carton label	-----	1/140



EXPLODED VIEW / PARTS LIST

NO.	PART NO.	DESCRIPTION	Q'TY	NO.	PART NO.	DESCRIPTION	Q'TY
1	-----	MAIN-PWB-ASSY(3527A7-75)	1	5	716-3607-00	REAR BOLT	1
1-1	074-4047-00	OUTLET SOCKET	1	6	345-6054-00	RUBBER PART	1
1-2	074-4048-00	OUTLET SOCKET	1	7	331-4824-00	MECH-BRKT	1
1-3	092-2255-01	ANT-RECEPT(AM/FM)	1	8	929-5140-80	CD-MECH-MODULE	1
1-4	-	(SIRI-FAKRA) *N/A	-	9	303-0497-00	UPPER-CVR	1
1-5	331-4827-01	ANT-HOLDER	1	10	816-4062-50	FLAT WIRE	1
1-6	331-4826-00	CON-HOLDER	1	11	313-2093-00	HEAT SINK	1
1-7	-	(SIRI-MODULE) *N/A	-	12	309-1905-01	FRONT PLATE	1
1-8	-	(HD-TUNER) *N/A	-	13	335-8684-01	DISC GUIDE	1
1-9	074-2506-27	OUTLET SOCKET	1	14	300-8241-01	MTG-BRKT-ASSY L	1
1-10	331-4825-00	IC-HOLDER	1	15	300-8242-01	MTG-BRKT-ASSY R	1
1-11	073-0768-90	TERMINAL	2	16	714-2606-8B	MACHINE SCREW	19
1-12	073-0762-90	TERMINAL	2	17	714-2603-89	MACHINE SCREW	2
1-13	076-6000-58	PLUG	1	18	714-2612-8H	MACHINE SCREW	4
2	716-0878-50	SPECIAL SCREW	4	19	714-5006-8B	MACHINE SCREW	6
3	304-0492-01	LOWER CASE	1	20	716-0678-50	SPECIAL SCREW	1
4	307-0743-10	REAR-CVR	1	21	276-0919-48	SETPLATE	1



ELECTRICAL PARTS LIST

MAIN PWB(B1) section

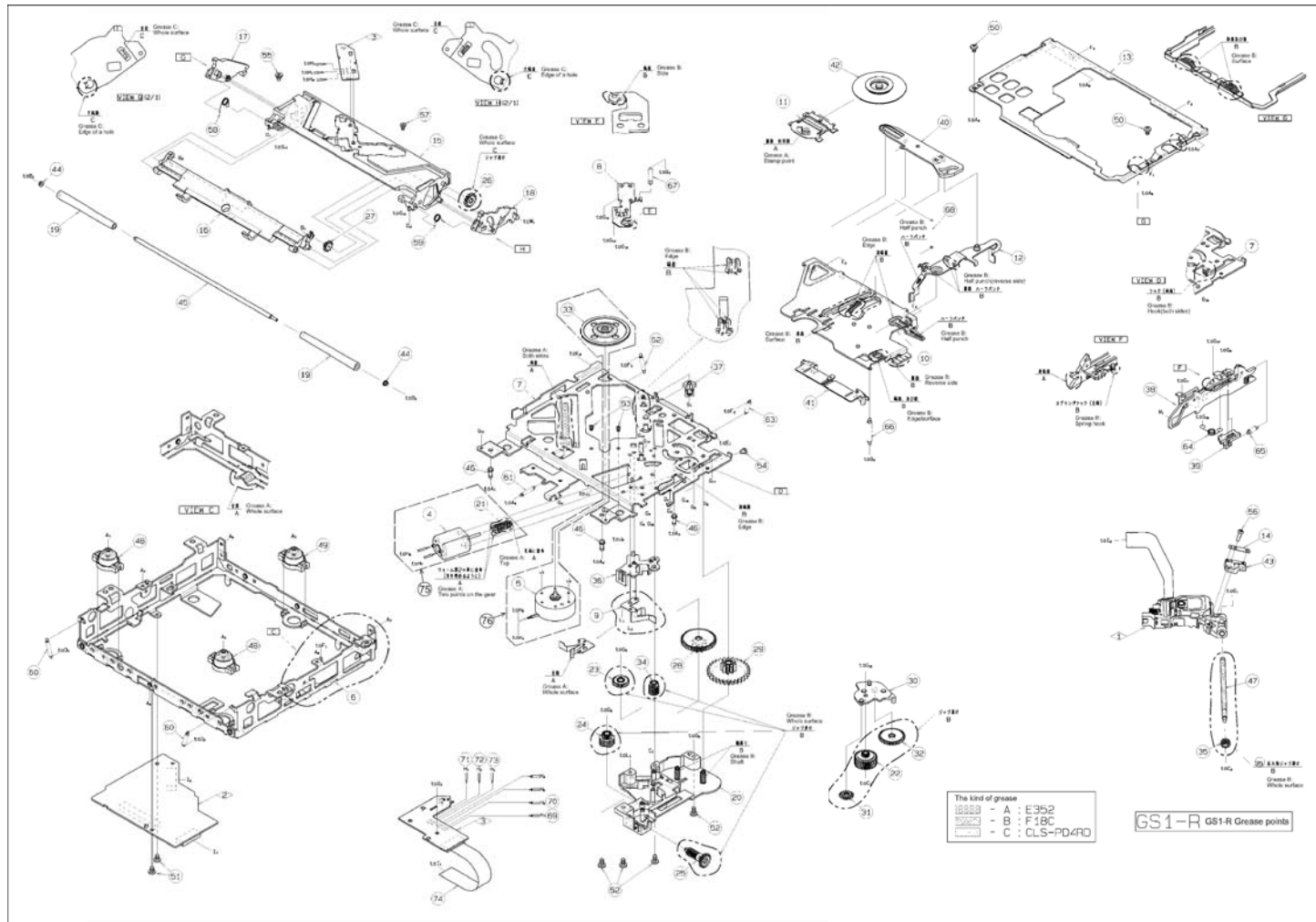
REF No.	PART No.	DESCRIPTION	REF No.	PART No.	DESCRIPTION	REF No.	PART No.	DESCRIPTION
ANT101	092-2255-01	ANT-RECEPT	C172	-----	(N/A)	C269	-----	(N/A)
C101	045-2201-50	22pFJ CH	C180	-----	(N/A)	C271	-----	(N/A)
C102	046-1022-58	50V 1000pF	C181	-----	(N/A)	C272	-----	(N/A)
C103	046-1022-58	50V 1000pF	C191	-----	(N/A)	C301	166-1011-50	100pF CH
C104	045-4796-50	4.7pFJ CH	C201	165-4753-55	35V 4.7uF	C302	168-1042-78	16V 0.1uF K
C106	045-1201-50	12pFJ CH	C202	165-4753-55	35V 4.7uF	C303	-----	(N/A)
C107	-----	(N/A)	C203	-----	(N/A)	C304	-----	(N/A)
C108	-----	(N/A)	C204	-----	(N/A)	C305	165-4753-55	35V 4.7uF
C109	045-4701-50	47pF CH	C205	168-1052-78	16V 1uF K	C306	168-1042-78	16V 0.1uF K
C110	046-1022-58	50V 1000pF	C206	046-1042-78	16V 0.1uF	C307	042-0643-52	6.3V 1000uF
C111	-----	(N/A)	C207	046-1042-78	16V 0.1uF	C308	042-0643-52	6.3V 1000uF
C112	045-1801-50	18pFJ CH	C208	046-1042-78	16V 0.1uF	C309	165-4753-55	35V 4.7uF
C113	-----	(N/A)	C209	046-1042-78	16V 0.1uF	C312	168-1042-78	16V 0.1uF K
C114	-----	(N/A)	C210	168-1042-78	16V 0.1uF K	C313	168-1022-55	1000pF K
C115	045-2701-50	27pFJ CH	C211	046-2232-78	0.022uF K B	C314	168-1052-78	16V 1uF K
C116	-----	(N/A)	C212	046-2232-78	0.022uF K B	C315	168-1032-55	0.01uF K
C117	-----	(N/A)	C213	046-2232-78	0.022uF K B	C316	-----	(N/A)
C118	046-3922-58	3900pF K B	C214	046-2232-78	0.022uF K B	C391	-----	(N/A)
C119	046-1022-58	50V 1000pF	C215	046-1042-78	16V 0.1uF	C392	-----	(N/A)
C120	-----	(N/A)	C216	168-2232-55	0.022uF K	C401	-----	(N/A)
C121	-----	(N/A)	C217	166-9097-50	9pF +/-0.5pF CH	C402	168-1042-78	16V 0.1uF K
C122	046-1032-78	16V 0.01uF	C218	168-1042-78	16V 0.1uF K	C403	165-2263-15	6.3V 22uF
C123	-----	(N/A)	C219	166-9097-50	9pF +/-0.5pF CH	C404	-----	(N/A)
C124	046-1032-78	16V 0.01uF	C220	-----	(N/A)	C405	-----	(N/A)
C125	-----	(N/A)	C221	165-4753-55	35V 4.7uF	C406	-----	(N/A)
C126	-----	(N/A)	C222	168-1042-78	16V 0.1uF K	C407	-----	(N/A)
C127	-----	(N/A)	C223	165-2263-15	6.3V 22uF	C408	168-1042-78	16V 0.1uF K
C128	-----	(N/A)	C224	168-4732-78	0.047uF K	C409	168-1042-78	16V 0.1uF K
C129	-----	(N/A)	C225	-----	(N/A)	C410	165-1063-35	16V 10uF
C130	-----	(N/A)	C226	-----	(N/A)	C411	-----	(N/A)
C131	-----	(N/A)	C227	-----	(N/A)	C412	168-1042-78	16V 0.1uF K
C132	-----	(N/A)	C228	165-1073-15	6.3V 100uF	C413	165-2263-35	16V 22uF
C133	046-3322-58	3300pF K B	C229	-----	(N/A)	C414	042-1767-90	16V 470uF
C134	-----	(N/A)	C230	-----	(N/A)	C415	-----	(N/A)
C135	046-2232-78	0.022uF K B	C231	168-1042-78	16V 0.1uF K	C416	168-1042-78	16V 0.1uF K
C136	-----	(N/A)	C232	-----	(N/A)	C417	-----	(N/A)
C137	-----	(N/A)	C233	046-2232-78	0.022uF K B	C418	168-1042-78	16V 0.1uF K
C138	-----	(N/A)	C234	-----	(N/A)	C419	165-1073-35	16V 100uF
C139	046-1022-58	50V 1000pF	C235	042-0423-94	10V 4.7uF	C420	165-2263-35	16V 22uF
C140	-----	(N/A)	C236	-----	(N/A)	C421	-----	(N/A)
C141	-----	(N/A)	C237	-----	(N/A)	C422	042-0416-60	25V 10uF M TAN
C142	046-2232-78	0.022uF K B	C238	-----	(N/A)	C423	168-1042-78	16V 0.1uF K
C143	165-1073-35	16V 100uF	C239	046-1042-78	16V 0.1uF	C424	042-0423-97	16V 10uF
C144	-----	(N/A)	C240	165-2263-15	6.3V 22uF	C425	168-3332-78	0.033uF K
C145	168-2242-58	0.22uF K	C241	-----	(N/A)	C426	165-2263-35	16V 22uF
C146	046-2232-78	0.022uF K B	C242	168-1042-78	16V 0.1uF K	C427	168-1042-78	16V 0.1uF K
C147	046-2232-78	0.022uF K B	C243	168-1052-78	16V 1uF K	C428	165-2263-35	16V 22uF
C148	046-2232-78	0.022uF K B	C244	-----	(N/A)	C429	168-1042-78	16V 0.1uF K
C149	046-2232-78	0.022uF K B	C245	168-2232-55	0.022uF K	C430	168-1042-78	16V 0.1uF K
C150	-----	(N/A)	C246	-----	(N/A)	C431	168-1022-55	1000pF K
C151	-----	(N/A)	C247	165-4763-15	6.3V 47uF	C432	-----	(N/A)
C152	-----	(N/A)	C248	-----	(N/A)	C433	042-1767-90	16V 470uF
C153	-----	(N/A)	C250	168-1042-78	16V 0.1uF K	C434	168-1042-78	16V 0.1uF K
C154	-----	(N/A)	C251	168-1042-78	16V 0.1uF K	C435	168-1042-78	16V 0.1uF K
C155	-----	(N/A)	C252	166-4711-50	470pF CH	C436	-----	(N/A)
C156	-----	(N/A)	C253	168-1042-78	16V 0.1uF K	C450	-----	(N/A)
C157	-----	(N/A)	C254	168-2232-55	0.022uF K	C501	-----	(N/A)
C158	-----	(N/A)	C255	033-0000-05	1/16W 0 ohm	C502	-----	(N/A)
C159	-----	(N/A)	C256	033-0000-05	1/16W 0 ohm	C503	-----	(N/A)
C160	-----	(N/A)	C257	046-3322-58	3300pF K B	C504	168-1042-78	16V 0.1uF K
C161	-----	(N/A)	C258	033-0000-05	1/16W 0 ohm	C505	-----	(N/A)
C162	-----	(N/A)	C259	046-3322-58	3300pF K B	C506	165-2263-35	16V 22uF
C163	-----	(N/A)	C260	046-3322-58	3300pF K B	C507	-----	(N/A)
C164	-----	(N/A)	C261	046-3322-58	3300pF K B	C508	-----	(N/A)
C165	-----	(N/A)	C262	046-3322-58	3300pF K B	C509	165-2263-15	6.3V 22uF
C166	-----	(N/A)	C263	046-3322-58	3300pF K B	C510	-----	(N/A)
C167	-----	(N/A)	C264	-----	(N/A)	C511	165-1063-35	16V 10uF
C168	-----	(N/A)	C265	-----	(N/A)	C512	165-1063-35	16V 10uF
C169	-----	(N/A)	C266	-----	(N/A)	C513	165-1063-35	16V 10uF
C170	-----	(N/A)	C267	042-1678-00	16V 470uF	C514	165-1063-35	16V 10uF
C171	046-1022-58	50V 1000pF	C268	-----	(N/A)	C515	-----	(N/A)

REF No.	PART No.	DESCRIPTION	REF No.	PART No.	DESCRIPTION	REF No.	PART No.	DESCRIPTION
C516	-----	(N/A)	C626	-----	(N/A)	D601	001-0367-91	1SS226
C518	168-1222-55	1200pF K	C627	-----	(N/A)	D603	001-0516-90	MA111
C520	168-1222-55	1200pF K	C628	-----	(N/A)	D604	001-0516-90	MA111
C521	166-2201-50	22pF CH	C629	-----	(N/A)	D605	001-0529-41	MA8075-M
C522	166-2201-50	22pF CH	C630	168-1052-78	16V 1uF K	D606	001-4313-57	HZUL6A1L-TRF E
C523	166-5611-50	560pF CH	C631	168-1052-78	16V 1uF K	D607	001-4315-51	MMBZ27VCL
C524	166-5611-50	560pF CH	C632	168-1052-78	16V 1uF K	D608	-----	(N/A)
C525	166-2201-50	22pF CH	C633	168-1052-78	16V 1uF K	D609	001-4315-51	MMBZ27VCL
C526	166-2201-50	22pF CH	C634	043-0548-50	10V 2.2uF	D610	-----	(N/A)
C527	-----	(N/A)	C635	043-0548-50	10V 2.2uF	D611	001-0592-00	RM4Z
C528	-----	(N/A)	C636	043-0548-50	10V 2.2uF	D651	-----	(N/A)
C529	-----	(N/A)	C637	043-0548-50	10V 2.2uF	D652	-----	(N/A)
C530	-----	(N/A)	C638	-----	(N/A)	FIL101	-----	(N/A)
C532	168-1222-55	1200pF K	C639	168-1042-78	16V 0.1uF K	FIL102	-----	(N/A)
C534	168-1222-55	1200pF K	C640	168-2242-58	0.22uF K	IC101	-----	TEF7000 (thermal pad type) (402590-051)
C535	166-5611-50	560pF CH	C641	165-2263-15	6.3V 22uF	IC201	-----	SAF7741HV/N125 (DSP) (thermal pad type) (674700-051)
C536	166-5611-50	560pF CH	C642	168-4722-55	4700pF K	IC301	-----	uPD70F3352GC (FLASH-MICOM) (Software should be written on production) (032400-052)
C537	-----	(N/A)	C643	168-1042-78	16V 0.1uF K	IC302	-----	BR24L32FV-WE2 (Software should be written on production) (EEPROM) (942790-051)
C540	-----	(N/A)	C644	168-6822-55	6800pF K	IC303	051-5423-08	S-80929CLMC-G6Z
C541	-----	(N/A)	C645	168-1032-55	0.01uF K	IC304	-----	(N/A)
C542	-----	(N/A)	C646	166-1011-50	100pF CH	IC401	-----	(N/A)
C544	-----	(N/A)	C647	166-1011-50	100pF CH	IC402	051-3578-90	S1167B1516T2G
C545	-----	(N/A)	C648	-----	(N/A)	IC403	-----	(N/A)
C546	-----	(N/A)	C649	168-2222-55	2200pF K	IC404	051-3580-90	S1112B33PIL6STFG
C547	168-1052-78	16V 1uF K	C650	168-2222-55	2200pF K	IC405	-----	(N/A)
C548	168-1052-78	16V 1uF K	C651	-----	(N/A)	IC406	051-3577-90	S1206B33U3T1G
C549	168-1052-78	16V 1uF K	C652	-----	(N/A)	IC407	051-3510-01	TDA3681JR/N2C
C550	168-1052-78	16V 1uF K	C653	-----	(N/A)	IC408	051-3218-90	TA76431F
C551	165-4763-35	16V 47uF	C654	-----	(N/A)	IC501	-----	(N/A)
C553	-----	(N/A)	C655	-----	(N/A)	IC502	051-3034-90	NJM4558V
C554	-----	(N/A)	C656	-----	(N/A)	IC503	051-3019-90	NJM2060V
C556	-----	(N/A)	C657	168-2222-55	2200pF K	IC504	-----	(N/A)
C557	-----	(N/A)	C658	168-2222-55	2200pF K	IC505	-----	(N/A)
C558	-----	(N/A)	C659	168-2222-55	2200pF K	IC506	051-2068-00	TDA7562B
C559	-----	(N/A)	C660	168-2222-55	2200pF K	IC507	-----	(N/A)
C560	-----	(N/A)	C661	-----	(N/A)	IC508	-----	(N/A)
C561	-----	(N/A)	C662	168-2222-55	2200pF K	IC509	-----	(N/A)
C562	-----	(N/A)	C663	168-2222-55	2200pF K	IC601	051-3034-90	NJM4558V
C563	-----	(N/A)	C664	168-2222-55	2200pF K	IC602	051-3034-90	NJM4558V
C564	168-1052-78	16V 1uF K	C665	168-2222-55	2200pF K	IC603	051-6653-80	SN65HVD1040QDRQ 1
C565	165-3353-65	50V 3.3uF	C666	168-2222-55	2200pF K	IC604	051-5423-08	S-80929CLMC-G6Z
C566	168-6842-78	0.68uF K	C667	168-2222-55	2200pF K	IC606	-----	(N/A)
C567	043-0499-51	50V 0.1uF J	C668	168-2222-55	2200pF K	J301	076-6000-58	8P
C568	042-1717-00	16V 3300uF	C669	-----	(N/A)	J302	074-2506-27	27P
C569	-----	(N/A)	C670	168-2222-55	2200pF K	J601	074-4047-00	SOCKET(24P)
C570	-----	(N/A)	C671	168-2222-55	2200pF K	J602	074-4048-00	SOCKET(26P)
C571	-----	(N/A)	C672	168-2222-55	2200pF K	L101	010-3406-56	3.3uH J
C572	-----	(N/A)	C673	168-2222-55	2200pF K	L102	010-3062-54	290nH
C591	-----	(N/A)	C674	168-2222-55	2200pF K	L103	010-3439-50	047uH
C601	168-2242-58	0.22uF K	C675	168-2222-55	2200pF K	L104	010-3062-54	290nH
C602	168-2242-58	0.22uF K	C676	-----	(N/A)	L105	010-3439-51	1.8uH
C603	168-3912-55	390pF K	C677	-----	(N/A)	L106	010-3062-53	0.215uH
C604	168-3912-55	390pF K	C678	-----	(N/A)	L107	010-2290-52	330uH
C605	166-1811-50	180pF CH	C679	-----	(N/A)	L108	010-2290-52	330uH
C606	168-3912-55	390pF K	C680	-----	(N/A)	L109	-----	(N/A)
C607	168-3912-55	390pF K	C681	-----	(N/A)	L110	010-2285-64	1k ohm/100MHz
C608	168-3912-55	390pF K	C682	-----	(N/A)	L201	010-2285-64	1k ohm/100MHz
C609	168-3912-55	390pF K	C683	-----	(N/A)	L202	010-2285-64	1k ohm/100MHz
C610	-----	(N/A)	C685	-----	(N/A)	L203	010-2285-64	1k ohm/100MHz
C611	-----	(N/A)	C686	-----	(N/A)	L204	010-3132-90	600 ohm/100MHz
C612	166-1811-50	180pF CH	C687	-----	(N/A)			
C613	-----	(N/A)	C688	-----	(N/A)			
C614	-----	(N/A)	D101	001-9013-90	BA891			
C615	165-2263-15	6.3V 22uF	D102	001-9013-90	BA891			
C616	-----	(N/A)	D104	-----	(N/A)			
C617	166-1811-50	180pF CH	D105	-----	(N/A)			
C618	-----	(N/A)	D106	-----	(N/A)			
C619	165-2263-35	16V 22uF	D401	-----	(N/A)			
C620	168-1042-78	16V 0.1uF K	D402	-----	(N/A)			
C621	166-1811-50	180pF CH	D403	001-1304-90	DAN202U			
C622	-----	(N/A)	D501	-----	(N/A)			
C623	-----	(N/A)	D502	001-0529-21	MA8039-H			
C624	168-1052-78	16V 1uF K	D503	001-1304-90	DAN202U			
C625	168-1052-78	16V 1uF K	D504	001-0516-90	MA111			

REF No.	PART No.	DESCRIPTION	REF No.	PART No.	DESCRIPTION	REF No.	PART No.	DESCRIPTION
L205	010-2285-64	1k ohm/100MHz	R143	-----	(N/A)	R322	-----	(N/A)
L206	010-2285-64	1k ohm/100MHz	R144	-----	(N/A)	R323	033-1011-15	1/16W 100 ohm J
L207	010-2285-64	1k ohm/100MHz	R145	-----	(N/A)	R324	033-1011-15	1/16W 100 ohm J
L209	010-2285-64	1k ohm/100MHz	R146	-----	(N/A)	R325	-----	(N/A)
L292	010-2285-64	1k ohm/100MHz	R147	033-0000-05	1/16W 0 ohm	R326	-----	(N/A)
L294	010-2285-64	1k ohm/100MHz	R148	033-0000-05	1/16W 0 ohm	R327	-----	(N/A)
L295	010-2285-64	1k ohm/100MHz	R191	033-4701-15	1/16W 47 ohm J	R328	119-1031-15	1/10W 10k ohm
L301	010-2285-64	1k ohm/100MHz	R201	119-1031-15	1/10W 10k ohm	R329	-----	(N/A)
L302	010-2285-64	1k ohm/100MHz	R202	033-0000-05	1/16W 0 ohm	R330	033-1031-15	1/16W 10k ohm J
L401	-----	(N/A)	R203	033-0000-05	1/16W 0 ohm	R331	033-1031-15	1/16W 10k ohm J
L402	010-2285-64	1k ohm/100MHz	R204	119-0000-05	1/10W 0 ohm JW	R332	-----	(N/A)
L403	-----	(N/A)	R205	119-0000-05	1/10W 0 ohm JW	R333	-----	(N/A)
L404	-----	(N/A)	R207	119-1031-15	1/10W 10k ohm	R334	119-1001-15	1/10W 10 ohm
L601	010-8049-00	145uH	R208	119-1031-15	1/10W 10k ohm	R335	119-1001-15	1/10W 10 ohm
Q104	-----	(N/A)	R211	119-0000-05	1/10W 0 ohm JW	R336	-----	(N/A)
Q105	-----	(N/A)	R212	119-2201-15	1/10W 22 ohm	R337	-----	(N/A)
Q201	125-7007-90	Si5441BDC-TI-E3	R213	-----	(N/A)	R338	-----	(N/A)
Q401	-----	(N/A)	R214	-----	(N/A)	R350	033-6831-15	1/16W 68k ohm J
Q402	-----	(N/A)	R215	-----	(N/A)	R351	033-6831-15	1/16W 68k ohm J
Q403	103-2394-00	2SD2394	R216	-----	(N/A)	R352	033-3331-15	1/16W 33k ohm J
Q404	125-9015-92	RN4902	R217	119-0000-05	1/10W 0 ohm JW	R353	-----	(N/A)
Q501	-----	(N/A)	R218	119-0000-05	1/10W 0 ohm JW	R391	-----	(N/A)
Q502	-----	(N/A)	R219	-----	(N/A)	R394	033-1021-15	1/16W 1k ohm J
Q503	-----	(N/A)	R220	119-1001-15	1/10W 10 ohm	R395	033-1021-15	1/16W 1k ohm J
Q504	-----	(N/A)	R221	033-0000-05	1/16W 0 ohm	R401	-----	(N/A)
Q505	-----	(N/A)	R222	-----	(N/A)	R402	-----	(N/A)
Q506	-----	(N/A)	R223	119-0000-05	1/10W 0 ohm JW	R403	-----	(N/A)
Q507	125-2027-91	DTC114EUA	R224	119-0000-05	1/10W 0 ohm JW	R404	-----	(N/A)
Q508	125-9015-92	RN4902	R225	-----	(N/A)	R405	-----	(N/A)
Q601	-----	(N/A)	R226	-----	(N/A)	R406	116-0000-05	1/4W 0 ohm JW
Q602	-----	(N/A)	R227	033-0000-05	1/16W 0 ohm	R407	-----	(N/A)
Q603	125-2027-91	DTC114EUA	R228	119-0000-05	1/10W 0 ohm JW	R408	-----	(N/A)
Q604	192-4081-00	2SC4081	R229	-----	(N/A)	R409	-----	(N/A)
Q605	125-2043-90	DTC143TUA	R230	033-1011-15	1/16W 100 ohm J	R410	119-3321-15	1/10W 3.3k ohm
Q606	125-9015-92	RN4902	R231	033-1011-15	1/16W 100 ohm J	R411	-----	(N/A)
Q607	-----	(N/A)	R232	033-0000-05	1/16W 0 ohm	R412	-----	(N/A)
Q608	-----	(N/A)	R233	033-0000-05	1/16W 0 ohm	R413	-----	(N/A)
Q609	-----	(N/A)	R234	033-0000-05	1/16W 0 ohm	R414	-----	(N/A)
R101	033-4741-15	1/16W 470k ohm J	R236	119-0000-05	1/10W 0 ohm JW	R415	119-3321-15	1/10W 3.3k ohm
R103	033-4741-15	1/16W 470k ohm J	R238	119-0000-05	1/10W 0 ohm JW	R416	032-0140-50	1/10W 10k ohm F
R104	033-3311-15	1/16W 330 ohm J	R239	119-0000-05	1/10W 0 ohm JW	R417	032-0140-54	1/10W 22k ohm F
R105	033-1811-15	1/16W 180 ohm J	R240	119-1031-15	1/10W 10k ohm	R418	119-4721-15	1/10W 4.7k ohm
R106	-----	(N/A)	R241	-----	(N/A)	R419	119-1031-15	1/10W 10k ohm
R107	033-5601-15	1/16W 56 ohm J	R242	119-1001-15	1/10W 10 ohm	R420	119-1231-15	1/10W 12k ohm
R109	-----	(N/A)	R243	119-1011-15	1/10W 100 ohm	R421	116-2211-15	1/4W 220 ohm
R110	-----	(N/A)	R244	119-0000-05	1/10W 0 ohm JW	R422	116-2211-15	1/4W 220 ohm
R111	-----	(N/A)	R245	033-0000-05	1/16W 0 ohm	R423	119-9121-15	1/10W 9.1k ohm
R112	-----	(N/A)	R246	119-0000-05	1/10W 0 ohm JW	R424	119-1021-15	1/10W 1k ohm
R116	-----	(N/A)	R247	-----	(N/A)	R425	119-1021-15	1/10W 1k ohm
R117	-----	(N/A)	R248	-----	(N/A)	R426	119-1021-15	1/10W 1k ohm
R118	-----	(N/A)	R270	033-0000-05	1/16W 0 ohm	R501	119-1021-15	1/10W 1k ohm
R120	-----	(N/A)	R291	117-0000-05	1/8W 0 ohm JW	R502	119-1021-15	1/10W 1k ohm
R121	-----	(N/A)	R299	033-0000-05	1/16W 0 ohm	R503	119-1021-15	1/10W 1k ohm
R122	-----	(N/A)	R301	119-8221-15	1/10W 8.2k ohm	R504	119-1021-15	1/10W 1k ohm
R123	033-2231-15	1/16W 22k ohm J	R302	-----	(N/A)	R505	-----	(N/A)
R124	-----	(N/A)	R303	-----	(N/A)	R506	119-1001-15	1/10W 10 ohm
R125	-----	(N/A)	R304	119-3321-15	1/10W 3.3k ohm	R507	-----	(N/A)
R126	-----	(N/A)	R305	119-3331-15	1/10W 33k ohm	R508	-----	(N/A)
R127	-----	(N/A)	R306	119-3331-15	1/10W 33k ohm	R509	-----	(N/A)
R128	-----	(N/A)	R307	119-6831-15	1/10W 68k ohm	R510	-----	(N/A)
R129	033-3921-15	1/16W 3.9k ohm J	R308	119-1231-15	1/10W 12k ohm	R511	-----	(N/A)
R130	-----	(N/A)	R309	-----	(N/A)	R512	119-1031-15	1/10W 10k ohm
R131	-----	(N/A)	R310	119-1521-15	1/10W 1.5k ohm	R513	119-1031-15	1/10W 10k ohm
R132	033-0000-05	1/16W 0 ohm	R311	-----	(N/A)	R514	-----	(N/A)
R133	033-0000-05	1/16W 0 ohm	R312	119-1011-15	1/10W 100 ohm	R515	-----	(N/A)
R134	033-0000-05	1/16W 0 ohm	R313	119-3331-15	1/10W 33k ohm	R516	-----	(N/A)
R135	033-0000-05	1/16W 0 ohm	R314	119-4731-15	1/10W 47k ohm	R517	119-4731-15	1/10W 47k ohm
R136	033-0000-05	1/16W 0 ohm	R315	033-1031-15	1/16W 10k ohm J	R518	119-4731-15	1/10W 47k ohm
R137	-----	(N/A)	R316	033-1011-15	1/16W 100 ohm J	R519	119-4731-15	1/10W 47k ohm
R138	-----	(N/A)	R317	033-1031-15	1/16W 10k ohm J	R520	119-4731-15	1/10W 47k ohm
R139	-----	(N/A)	R318	033-1011-15	1/16W 100 ohm J	R521	119-6821-15	1/10W 6.8k ohm
R140	-----	(N/A)	R319	119-3331-15	1/10W 33k ohm	R522	119-6821-15	1/10W 6.8k ohm
R141	-----	(N/A)	R320	119-3331-15	1/10W 33k ohm	R523	119-6821-15	1/10W 6.8k ohm
R142	-----	(N/A)	R321	-----	(N/A)	R524	119-6821-15	1/10W 6.8k ohm

REF No.	PART No.	DESCRIPTION	REF No.	PART No.	DESCRIPTION	REF No.	PART No.	DESCRIPTION
R525	119-6821-15	1/10W 6.8k ohm	R581	-----	(N/A)	R639	-----	(N/A)
R526	119-6821-15	1/10W 6.8k ohm	R582	119-1011-15	1/10W 100 ohm	R640	-----	(N/A)
R527	-----	(N/A)	R583	119-1011-15	1/10W 100 ohm	R641	032-0140-56	1/10W 12k ohm F
R528	-----	(N/A)	R584	-----	(N/A)	R642	032-0140-56	1/10W 12k ohm F
R529	-----	(N/A)	R585	-----	(N/A)	R643	-----	(N/A)
R530	-----	(N/A)	R586	-----	(N/A)	R644	-----	(N/A)
R531	-----	(N/A)	R587	-----	(N/A)	R645	-----	(N/A)
R532	-----	(N/A)	R588	-----	(N/A)	R646	032-0140-56	1/10W 12k ohm F
R533	-----	(N/A)	R589	-----	(N/A)	R647	032-0140-56	1/10W 12k ohm F
R534	-----	(N/A)	R591	-----	(N/A)	R648	032-0140-56	1/10W 12k ohm F
R535	-----	(N/A)	R592	-----	(N/A)	R649	119-2021-15	1/10W 2k ohm
R536	-----	(N/A)	R598	-----	(N/A)	R650	119-1011-15	1/10W 100 ohm
R537	119-6821-15	1/10W 6.8k ohm	R599	-----	(N/A)	R651	119-1021-15	1/10W 1k ohm
R538	119-6821-15	1/10W 6.8k ohm	R601	032-0140-50	1/10W 10k ohm F	R652	119-1021-15	1/10W 1k ohm
R539	-----	(N/A)	R602	032-0140-50	1/10W 10k ohm F	R653	119-2231-15	1/10W 22k ohm
R540	-----	(N/A)	R603	032-0140-54	1/10W 22k ohm F	R654	119-1031-15	1/10W 10k ohm
R541	-----	(N/A)	R604	032-0140-50	1/10W 10k ohm F	R655	119-4721-15	1/10W 4.7k ohm
R542	-----	(N/A)	R605	032-0140-50	1/10W 10k ohm F	R656	119-2031-15	1/10W 20k ohm
R544	119-8221-15	1/10W 8.2k ohm	R606	032-0140-50	1/10W 10k ohm F	R657	116-2011-15	1/4W 200 ohm
R545	119-8221-15	1/10W 8.2k ohm	R607	032-0140-50	1/10W 10k ohm F	R658	119-4711-15	1/10W 470 ohm
R546	119-8221-15	1/10W 8.2k ohm	R608	119-0000-05	1/10W 0 ohm JW	R659	119-1031-15	1/10W 10k ohm
R547	119-8221-15	1/10W 8.2k ohm	R609	119-0000-05	1/10W 0 ohm JW	R660	032-0166-01	1/4W 62 ohm
R548	-----	(N/A)	R610	119-0000-05	1/10W 0 ohm JW	R661	032-0166-01	1/4W 62 ohm
R549	-----	(N/A)	R611	119-0000-05	1/10W 0 ohm JW	R662	119-1241-15	1/10W 120k ohm
R552	-----	(N/A)	R612	032-0140-54	1/10W 22k ohm F	R663	119-2041-15	1/10W 200k ohm
R553	-----	(N/A)	R613	119-0000-05	1/10W 0 ohm JW	R664	-----	(N/A)
R554	119-3331-15	1/10W 33k ohm	R614	032-0140-54	1/10W 22k ohm F	R665	-----	(N/A)
R555	119-3331-15	1/10W 33k ohm	R615	119-1031-15	1/10W 10k ohm	R666	-----	(N/A)
R558	119-3331-15	1/10W 33k ohm	R616	119-1031-15	1/10W 10k ohm	R667	-----	(N/A)
R559	119-3331-15	1/10W 33k ohm	R617	119-0000-05	1/10W 0 ohm JW	R668	-----	(N/A)
R560	-----	(N/A)	R618	-----	(N/A)	R669	-----	(N/A)
R561	-----	(N/A)	R619	-----	(N/A)	R670	119-1051-15	1/10W 1M ohm
R562	-----	(N/A)	R620	032-0140-00	1/10W 56k ohm F	R671	119-1051-15	1/10W 1M ohm
R563	-----	(N/A)	R621	032-0140-00	1/10W 56k ohm F	R681	-----	(N/A)
R564	-----	(N/A)	R622	-----	(N/A)	R682	-----	(N/A)
R565	-----	(N/A)	R623	-----	(N/A)	R683	-----	(N/A)
R566	-----	(N/A)	R624	-----	(N/A)	R684	-----	(N/A)
R567	-----	(N/A)	R625	-----	(N/A)	R687	116-2011-15	1/4W 200 ohm
R568	-----	(N/A)	R626	032-0140-00	1/10W 56k ohm F	R691	-----	(N/A)
R569	-----	(N/A)	R627	032-0140-00	1/10W 56k ohm F	R697	-----	(N/A)
R570	-----	(N/A)	R628	032-0140-00	1/10W 56k ohm F	SUP101	060-0122-91	DSP-141N-S00B
R571	-----	(N/A)	R629	032-0140-00	1/10W 56k ohm F	TH101	-----	(N/A)
R572	119-2231-15	1/10W 22k ohm	R630	119-1001-15	1/10W 10 ohm	TH301	-----	(N/A)
R573	119-4721-15	1/10W 4.7k ohm	R631	-----	(N/A)	TM101	073-0762-90	TERMINAL
R574	-----	(N/A)	R632	032-0140-54	1/10W 22k ohm F	TM102	073-0768-90	TERMINAL
R575	-----	(N/A)	R633	032-0140-95	1/10W 20k ohm F	TM103	073-0762-90	TERMINAL
R576	-----	(N/A)	R634	032-0140-95	1/10W 20k ohm F	TM104	073-0768-90	TERMINAL
R577	-----	(N/A)	R635	032-0140-95	1/10W 20k ohm F	X201	061-3537-90	41.6MHz
R578	119-1021-15	1/10W 1k ohm	R636	032-0140-95	1/10W 20k ohm F	X301	060-1552-90	4MHz
R579	119-1031-15	1/10W 10k ohm	R637	-----	(N/A)	PWB	039-3790-00	PWB(WITHOUT COMPONENTS)
R580	-----	(N/A)	R638	032-0140-56	1/10W 12k ohm F			

EXPLODED VIEW / PARTS LIST



NO.	PART NO.	DESCRIPTION	Q'TY	NO.	PART NO.	DESCRIPTION	Q'TY
1	969-0080-30	PICKUP-ASSY	1	39	621-1869-21	RACK	1
2	-----	MAIN-PWB-ASSY(5141AH-97)	1	40	621-1870-21	STOPPER LINK	1
3	-----	SENS-PWB-ASSY(5100BH-95)	1	41	621-1871-22	DISC STOPPER	1
4	-----	DC-MOTOR(154000-020)	1	42	621-1872-21	CLAMPER RING	1
5	-----	DC-MOTOR(154100-020)	1	43	621-1873-21	LS-RACK	1
6	620-1919-21	LOWER CHASSIS	1	44	621-1726-21	ROLLER SLEEVE	2
7	620-1911-20	DRIVE PLATE	1	45	622-1885-20	ROLLER SHAFT	1
8	620-1912-21	ID-LOCK PLATE	1	46	622-1886-20	DAMPER PIN	3
9	620-1913-20	SPRING PLATE	1	47	624-3062-20	LEAD SCREW	1
10	620-1914-21	CLAMPER ARM	1	48	629-0138-21	DAMPER F	2
11	620-1915-22	CLAMPER PLATE	1	49	629-0139-21	DAMPER R	1
12	620-1916-22	SENSOR ARM	1	50	714-2003-8B	MACHIN SCREW	2
13	620-1928-20	UPPER CHASSIS	1	51	716-3718-00	SPECIAL SCREW	2
14	620-1918-21	LS-RACK PLATE	1	52	716-3719-00	SPECIAL SCREW	4
15	621-1845-22	UPPER GUIDE	1	53	716-3720-00	SPECIAL SCREW	2
16	621-1846-22	ROLLER GUIDE	1	54	716-3721-00	SPECIAL SCREW	1
17	621-1847-20	LOCK ARM L	1	55	716-3722-00	SPECIAL SCREW	1
18	621-1848-22	LOCK ARM R	1	56	716-3723-02	SPECIAL-SCREW	1
19	621-1849-20	LOADING ROLLER	2	57	716-3724-00	SPECIAL SCREW	1
20	621-1850-22	GEAR BOX	1	58	750-7924-21	ROLLER SPRING	1
21	-----	MOTOR GEAR(185121-621)	1	59	750-7925-21	ROLLER SPRING	1
22	621-1852-20	SECOND GEAR	1	60	750-7926-20	DR-SPRING F	2
23	621-1853-20	ROLLER GEAR A	1	61	750-7927-20	DR-SPRING C	1
24	621-1854-20	ROLLER GEAR B	1	62	750-7928-20	DR-SPRING RA	1
25	621-1855-20	ROLLER GEAR C	1	63	750-7929-20	DR-SPRING RB	1
26	621-1856-20	ROLLER GEAR D	1	64	750-7930-20	SHIFT SPRING	1
27	621-1857-21	ROLLER GEAR E	1	65	750-7931-20	RACK SPRING	1
28	621-1858-20	POWER GEAR A	1	66	750-7932-20	CLAMPER SPRING	1
29	621-1859-20	POWER GEAR B	1	67	750-7933-20	ID-LOCK SPRING	1
30	621-1860-21	IDLE CASE	1	68	750-7934-20	SENSOR SPRING	1
31	621-1861-20	IDLE GEAR A	1	69	803-4906-60	VINYL-COAT-WIRE	1
32	621-1862-20	IDLE GEAR B	1	70	816-2590-00	SPECIAL LEAD	1
33	-----	TURN TABLE(186320-621)	1	71	816-2591-00	SPECIAL LEAD	1
34	621-1864-20	THREAD GEAR A	1	72	816-2592-00	SPECIAL LEAD	1
35	621-1865-20	THREAD GEAR B	1	73	816-2593-00	SPECIAL LEAD	1
36	621-1866-20	LS-HOLDER A	1	74	816-4070-50	FLAT WIRE	1
37	621-1867-20	LS-HOLDER B	1	75	HBS-668-100	POWER MOTOR ASSY	1
38	621-1868-23	SHIFT LEVER	1	76	HBS-669-100	SPINDLE MOTOR ASSY	1

ELECTRICAL PARTS LIST

MAIN PWB(B1) section

REF No.	PART No.	DESCRIPTION	REF No.	PART No.	DESCRIPTION	REF No.	PART No.	DESCRIPTION
C1	-----	(N/A)	C50	045-1201-50	12pFJ CH	R8	-----	(N/A)
C2	-----	(N/A)	C51	045-1201-50	12pFJ CH	R9	033-2211-15	1/16W 220 ohm J
C3	168-1052-78	16V 1uF K	C55	168-1042-78	16V 0.1uF K	R10	-----	(N/A)
C4	-----	(N/A)	C58	045-6097-50	6 +/-0.5pF CH	R11	033-1531-15	1/16W 15k ohm J
C5	-----	(N/A)	C64	165-4763-15	6.3V 47uF	R12	033-4731-15	1/16W 47k ohm J
C6	168-1052-78	16V 1uF K	C65	046-1032-78	16V 0.01uF	R13	033-3341-15	1/16W 330k ohm J
C7	042-0560-85	6.3V 100uF	C68	168-1042-78	16V 0.1uF K	R14	-----	(N/A)
C8	168-1052-78	16V 1uF K	C71	-----	(N/A)	R15	033-4731-15	1/16W 47k ohm J
C9	-----	(N/A)	C72	-----	(N/A)	R16	033-3331-15	1/16W 33k ohm J
C10	046-1042-78	16V 0.1uF	C73	-----	(N/A)	R17	-----	(N/A)
C11	168-1042-78	16V 0.1uF K	C74	165-4763-15	6.3V 47uF	R18	033-1051-15	1/16W 1M ohm J
C13	168-1042-78	16V 0.1uF K	C75	168-1042-78	16V 0.1uF K	R19	033-2221-15	1/16W 2.2k ohm J
C14	046-4722-58	4700pF K B	C77	046-1042-78	16V 0.1uF	R20	119-0000-05	1/10W 0 ohm JW
C15	-----	(N/A)	C78	168-1042-78	16V 0.1uF K	R21	119-1011-15	1/10W 100 ohm
C17	165-1073-35	16V 100uF	C80	168-1042-78	16V 0.1uF K	R22	033-4721-15	1/16W 4.7k ohm J
C18	168-1042-78	16V 0.1uF K	C81	046-1042-78	16V 0.1uF	R23	-----	(N/A)
C19	046-1042-78	0.15uF K	C83	042-1710-90	6.3V 100uF	R24	-----	(N/A)
C20	046-1532-78	0.015uF K B	C84	045-1011-50	100pFJ CH	R25	033-4721-15	1/16W 4.7k ohm J
C21	046-1042-78	16V 0.1uF	C85	168-1042-78	16V 0.1uF K	R26	-----	(N/A)
C22	168-1042-78	16V 0.1uF K	CCT1	050-0140-57	1/32W 10k ohm x4J	R27	033-2211-15	1/16W 220 ohm J
C23	046-1522-58	1500pF K B	D1	001-9210-50	AVR-	R28	033-2211-15	1/16W 220 ohm J
C24	046-1042-78	16V 0.1uF			M1608C270MTAAD	R29	033-2211-15	1/16W 220 ohm J
C25	046-2222-58	2200pF K B	D2	-----	(N/A)	R30	033-2211-15	1/16W 220 ohm J
C26	-----	(N/A)	D3	-----	(N/A)	R31	033-2211-15	1/16W 220 ohm J
C27	168-1042-78	16V 0.1uF K	D4	-----	(N/A)	R32	033-2211-15	1/16W 220 ohm J
C29	046-1032-78	16V 0.01uF	IC1	051-6752-00	TC94A92FG-301	R33	033-2211-15	1/16W 220 ohm J
C30	046-4712-58	470pF K B	IC2	051-6101-90	BD8226EFV	R34	033-2211-15	1/16W 220 ohm J
C31	046-4712-58	470pF K B	IC3	051-3598-90	BU15TA2WHFV	R35	033-2211-15	1/16W 220 ohm J
C32	046-3332-78	0.033uF K B	IC4	-----	BH33MAWHFV	R36	033-2211-15	1/16W 220 ohm J
C33	168-1532-55	0.015uF K			(Regulator)	R37	-----	(N/A)
C34	168-1042-78	16V 0.1uF K			(Bottom pad type)	R38	-----	(N/A)
C35	166-6801-50	68pF CH			(350990-051)	R39	-----	(N/A)
C36	046-6822-58	6800pF K B	J1	074-2215-65	15P	R40	033-1041-15	1/16W 100k ohm J
C37	045-4701-50	47pF CH	J2	074-2504-10	OUTLET SOCKET	R45	033-1021-15	1/16W 1k ohm J
C39	046-1042-78	16V 0.1uF	J3	074-2506-27	27P	R68	033-1021-15	1/16W 1k ohm J
C40	168-1042-78	16V 0.1uF K	L1	010-3105-69	80 ohm/100MHz	R91	-----	(N/A)
C41	046-5622-58	5600pF K B	Q1	190-1365-50	2SA1365 AF,AG	R94	-----	(N/A)
C42	168-1042-78	16V 0.1uF K	R1	033-2211-15	1/16W 220 ohm J	TH1	002-0315-00	TN10-3U153JT
C43	046-4732-78	16V 0.047uF	R2	117-1821-15	1/8W 1.8k ohm	TM1	073-0792-90	TERMINAL
C44	046-4732-78	16V 0.047uF	R3	117-1001-15	1/8W 10 ohm	X1	061-3586-90	DSX321G(F) 16.920MHz
C45	168-1042-78	16V 0.1uF K	R4	033-1831-15	1/16W 18k ohm J	PWB	039-3950-20	PWB(WITHOUT COMPONENTS)
C46	043-0570-90	16V 2.2uF K	R5	033-1231-15	1/16W 12k ohm J			
C47	168-1042-78	16V 0.1uF K	R6	033-1541-15	1/16W 150k ohm J			
C49	168-1042-78	16V 0.1uF K	R7	033-1031-15	1/16W 10k ohm J			

SENSOR PWB(B2) section

REF No.	PART No.	DESCRIPTION	REF No.	PART No.	DESCRIPTION	REF No.	PART No.	DESCRIPTION
C1	-----	(N/A)	J1	074-2504-10	OUTLET SOCKET	S2	013-7414-50	SPVG220100
D1	001-7138-91	SML-S13RT T86	Q1	060-4025-90	SML-H10TBT86	PWB	039-3732-20	PWB(WITHOUT COMPONENTS)
D2	001-7138-91	SML-S13RT T86	Q2	060-4025-90	SML-H10TBT86			