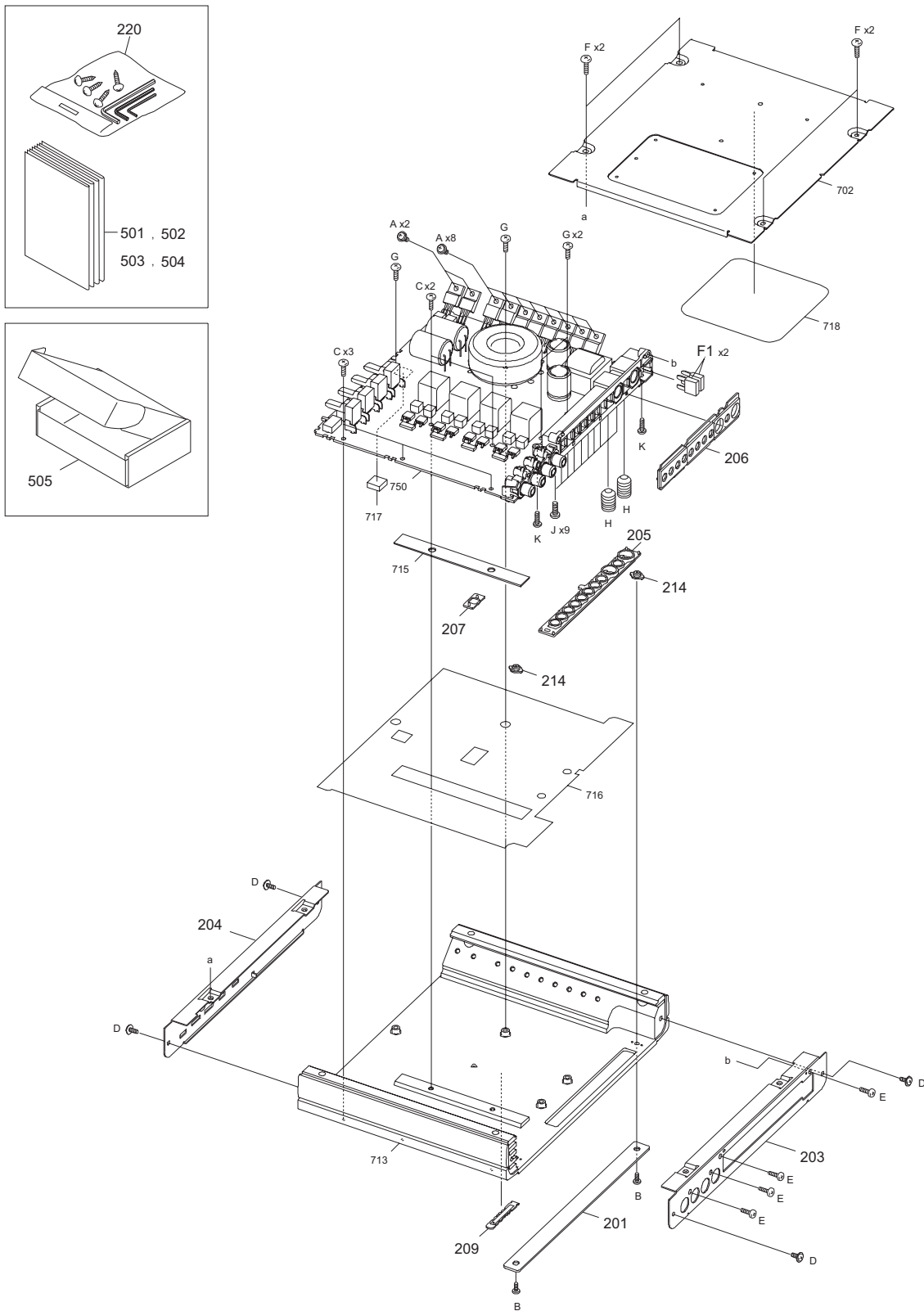


# EXPLODED VIEW (UNIT)

Block No.200



Parts with the exploded numbers larger than 700 are not supplied.

MODEL	MARK	MODEL	MARK
XR400-4	K0	XR400-4	W1

Safe	Symbol No.	Parts No.	Parts Name	Description	QTY	Local
<b>EXPLODED VIEW (UNIT) &lt;200&gt;</b>						
△	F1	F52-0027-05	FUSE (30A)	32V 30A	2	
	A	N09-6931-05	SEMS (TAPTITE SCREW)		10	
	B	N09-6932-15	DRESSED SCREW		2	
	C	N09-6934-05	TAPTITE SCREW		5	
	D	N09-6943-05	TAPTITE SCREW		4	
	E	N80-3010-43	PAN HEAD TAPTITE SCREW		4	
	F	N83-2605-48	PAN HEAD TAPTITE SCREW		4	
	G	N89-2606-48	BINDING HEAD TAPTITE SCREW		4	
	H	N09-6947-08	THICK HEXAGONAL SCREW		2	
	J	N09-6948-08	THIN HEXAGONAL SCREW		9	
	K	N09-6447-05	TAPTITE SCREW		2	
	201	A21-6882-03	DRESSING PANEL		1	
	203	A64-5404-01	PANEL (REAR)		1	
	204	A64-5405-01	PANEL (FRONT)		1	
	205	B07-3373-03	ESCUTCHEON		1	
	206	B07-3383-03	ESCUTCHEON		1	
	207	B19-2623-04	LIGHTING BOARD		1	
	209	B43-1553-04	BADGE		1	
	214	F09-3131-14	CAP		2	
	220	N99-1843-05	WRENCH KEY SET		1	
	501	B64-5078-00	INSTRUCTION MANUAL	ENG FRE SPA	1	
	502	B64-5079-00	INSTRUCTION MANUAL	GER DUT ITA	1	W1
	503	B64-5080-00	INSTRUCTION MANUAL	POR RUS UKR	1	W1
	504	B64-5081-00	INSTRUCTION MANUAL	ENG CHI	1	W1
	505	H54-5305-13	ITEM CARTON CASE		1	K0
	505	H54-5306-13	ITEM CARTON CASE		1	W1

MODEL	MARK	MODEL	MARK
XR400-4	K0	XR400-4	W1

Safe	Symbol No.	Parts No.	Parts Name	Description	QTY	Local
<b>AUDIO UNIT (X09-9130-10) &lt;X09&gt;</b>						
	IC1	BA4564RFV	ANALOGUE IC		1	
	IC2	BA4564RFV	ANALOGUE IC		1	
	IC3	BA4564RFV	ANALOGUE IC		1	
	IC4	BA4564RFV	ANALOGUE IC		1	
	IC5	BA4564RFV	ANALOGUE IC		1	
	IC6	NJM4565E-ZB	ANALOGUE IC		1	
	IC7	IRS2092STRPBF	MOS-IC		1	
	IC8	IRS2092STRPBF	MOS-IC		1	
	IC201	BA4564RFV	ANALOGUE IC		1	
	IC203	BA4564RFV	ANALOGUE IC		1	
	IC204	BA4564RFV	ANALOGUE IC		1	
	IC205	BA4564RFV	ANALOGUE IC		1	
	IC206	NJM4565E-ZB	ANALOGUE IC		1	
	IC207	IRS2092STRPBF	MOS-IC		1	
	IC208	IRS2092STRPBF	MOS-IC		1	
	IC501	TL494IDR	ANALOGUE IC		1	
	IC502	BA10358F	ANALOGUE IC		1	
	IC505	BA4560RF	ANALOGUE IC		1	
	Q1	2SC4154(F)	TRANSISTOR		1	
	Q2	2SC4154(F)	TRANSISTOR		1	
	Q3	2SA1576A	TRANSISTOR		1	
	Q4	2SA1576A	TRANSISTOR		1	
	Q9	IRFR4615PBF	FET		1	
	Q10	IRFR4615PBF	FET		1	
	Q11	IRFR4615PBF	FET		1	
	Q12	IRFR4615PBF	FET		1	
	Q13	2SC4154(F)	TRANSISTOR		1	
	Q14	2SC4154(F)	TRANSISTOR		1	
	Q201	2SC4154(F)	TRANSISTOR		1	
	Q202	2SC4154(F)	TRANSISTOR		1	
	Q203	2SA1576A	TRANSISTOR		1	
	Q204	2SA1576A	TRANSISTOR		1	
	Q209	IRFR4615PBF	FET		1	
	Q210	IRFR4615PBF	FET		1	
	Q211	IRFR4615PBF	FET		1	
	Q212	IRFR4615PBF	FET		1	
	Q213	2SC4154(F)	TRANSISTOR		1	
	Q214	2SC4154(F)	TRANSISTOR		1	
	Q501	2SC4154(F)	TRANSISTOR		1	
	Q502	2SC4154(F)	TRANSISTOR		1	
	Q503	STP60NF06FP	FET		1	
	Q504	STP60NF06FP	FET		1	
	Q505	STP60NF06FP	FET		1	
	Q506	STP60NF06FP	FET		1	
	Q507	STP60NF06FP	FET		1	
	Q508	STP60NF06FP	FET		1	
	Q509	2SA1577	TRANSISTOR		1	
	Q510	2SA1577	TRANSISTOR		1	
	Q512	RT1N141M-T111	TRANSISTOR		1	
	Q513	RT1N141M-T111	TRANSISTOR		1	
	Q514	RT1P141M-T111	TRANSISTOR		1	
	Q515	2SAR293P	TRANSISTOR		1	
	Q516	2SC4154(F)	TRANSISTOR		1	
	Q517	2SC4154(F)	TRANSISTOR		1	
	Q518	KTC2026-P	TRANSISTOR		1	
	Q519	2SC4154(F)	TRANSISTOR		1	
	Q520	KTA1046-P	TRANSISTOR		1	
	Q521	ISA1602AM1(F)	TRANSISTOR		1	
	Q522	2SCR533D	TRANSISTOR		1	
	Q523	2SC4154(F)	TRANSISTOR		1	
	Q524	2SC4154(F)	TRANSISTOR		1	
	Q528	ISA1602AM1(F)	TRANSISTOR		1	
	Q529	2SC4154(F)	TRANSISTOR		1	
	Q532	RT1N141M-T111	TRANSISTOR		1	
	Q533	RT1N141M-T111	TRANSISTOR		1	
	Q534	RT1P141M-T111	TRANSISTOR		1	
	Q535	2SCR293P	TRANSISTOR		1	
	Q536	2SAR293P	TRANSISTOR		1	
	Q537	2SA1576A	TRANSISTOR		1	
	Q538	RT1P141M-T111	TRANSISTOR		1	
	Q539	RT1N141M-T111	TRANSISTOR		1	
	Q540	2SC4097	TRANSISTOR		1	
	D1	LM1MA142WK-G	DIODE		1	
	D2	LM1MA142WK-G	DIODE		1	
	D3	LM1MA142WA-G	DIODE		1	
	D4	LM1MA142WA-G	DIODE		1	
	D5	HSU119TRF-E	DIODE		1	
	D6	HSU119TRF-E	DIODE		1	
	D7	HSU119TRF-E	DIODE		1	
	D8	HSU119TRF-E	DIODE		1	
	D9	HSU119TRF-E	DIODE		1	
	D10	HSU119TRF-E	DIODE		1	
	D11	HSU119TRF-E	DIODE		1	
	D12	HSU119TRF-E	DIODE		1	
	D13	HSU119TRF-E	DIODE		1	
	D14	HSU119TRF-E	DIODE		1	
	D15	RF101L2S	DIODE		1	
	D16	RF101L2S	DIODE		1	
	D21	HSU119TRF-E	DIODE		1	
	D22	HSU119TRF-E	DIODE		1	
	D23	LM1MA142WA-G	DIODE		1	

MODEL	MARK	MODEL	MARK
XR400-4	K0	XR400-4	W1

Safe	Symbol No.	Parts No.	Parts Name	Description	QTY	Local
	D201	LM1MA142WK-G	DIODE		1	
	D202	LM1MA142WK-G	DIODE		1	
	D203	LM1MA142WA-G	DIODE		1	
	D204	LM1MA142WA-G	DIODE		1	
	D205	HSU119TRF-E	DIODE		1	
	D206	HSU119TRF-E	DIODE		1	
	D207	HSU119TRF-E	DIODE		1	
	D208	HSU119TRF-E	DIODE		1	
	D209	HSU119TRF-E	DIODE		1	
	D210	HSU119TRF-E	DIODE		1	
	D211	HSU119TRF-E	DIODE		1	
	D212	HSU119TRF-E	DIODE		1	
	D213	HSU119TRF-E	DIODE		1	
	D214	HSU119TRF-E	DIODE		1	
	D215	RF101L2S	DIODE		1	
	D216	RF101L2S	DIODE		1	
	D221	HSU119TRF-E	DIODE		1	
	D222	HSU119TRF-E	DIODE		1	
	D223	LM1MA142WA-G	DIODE		1	
	D501	HSU119TRF-E	DIODE		1	
	D502	HSU119TRF-E	DIODE		1	
	D503	B30-1743-05	LED(RE D LED)		1	
	D504	HSU119TRF-E	DIODE		1	
	D505	RKZ6.8KG(B2)	ZENER DIODE		1	
	D506	RKZ15KG(B2)	ZENER DIODE		1	
	D507	FCH10A20	SCHOTTKY BARRIER		1	
	D508	FRH10A20	DIODE		1	
	D509	RKZ16KG(B2)	ZENER DIODE		1	
	D510	RKZ16KG(B2)	ZENER DIODE		1	
	D511	RKZ12KG(B2)	ZENER DIODE		1	
	D512	RKZ5.6KG(B2)	ZENER DIODE		1	
	D513	RKZ5.6KG(B2)	ZENER DIODE		1	
	D516	RKZ5.1KG(B2)	ZENER DIODE		1	
	D517	RKZ5.1KG(B2)	ZENER DIODE		1	
	D519	LM1MA142WA-G	DIODE		1	
	D523	RKZ6.8KG(B2)	ZENER DIODE		1	
	D524	RKZ6.8KG(B2)	ZENER DIODE		1	
	D528	LM1MA142WA-G	DIODE		1	
	D529	LM1MA142WK-G	DIODE		1	
	D530	HSU119TRF-E	DIODE		1	
	D532	HSU119TRF-E	DIODE		1	
	D533	HSU119TRF-E	DIODE		1	
	D534	HSU119TRF-E	DIODE		1	
	C1	CC73GCH1H102J	CHIP C	1000PF J	1	
	C2	CC73GCH1H102J	CHIP C	1000PF J	1	
	C3	CE32CL1C220M	ELECTRO	22UF 16WV M	1	
	C4	CE32CL1C220M	ELECTRO	22UF 16WV M	1	
	C5	CC73GCH1H330J	CHIP C	33PF 50V J	1	
	C6	CC73GCH1H330J	CHIP C	33PF 50V J	1	
	C7	CC73GCH1H330J	CHIP C	33PF 50V J	1	
	C8	CC73GCH1H330J	CHIP C	33PF 50V J	1	
	C9	CC73GCH1H560J	CHIP C	56PF 50V J	1	
	C10	CC73GCH1H560J	CHIP C	56PF 50V J	1	
	C11	CC73GCH1H330J	CHIP C	33PF 50V J	1	
	C12	CC73GCH1H330J	CHIP C	33PF 50V J	1	
	C13	CC73GCH1H560J	CHIP C	56PF 50V J	1	
	C14	CC73GCH1H560J	CHIP C	56PF 50V J	1	
	C15	CE32CL1C220M	ELECTRO	22UF 16WV M	1	
	C16	CE32CL1C220M	ELECTRO	22UF 16WV M	1	
	C17	CK73GB1H103K	CHIP C	0.010UF 50V K	1	
	C18	CK73GB1H103K	CHIP C	0.010UF 50V K	1	
	C19	CK73GB1H103K	CHIP C	0.010UF 50V K	1	
	C20	CK73GB1H103K	CHIP C	0.010UF 50V K	1	
	C21	CC73GCH1H560J	CHIP C	56PF 50V J	1	
	C22	CC73GCH1H560J	CHIP C	56PF 50V J	1	
	C23	CK73GB1H103K	CHIP C	0.010UF 50V K	1	
	C24	CK73GB1H103K	CHIP C	0.010UF 50V K	1	
	C25	CK73GB1H103K	CHIP C	0.010UF 50V K	1	
	C26	CK73GB1H103K	CHIP C	0.010UF 50V K	1	
	C27	CC73GCH1H560J	CHIP C	56PF 50V J	1	
	C28	CC73GCH1H560J	CHIP C	56PF 50V J	1	
	C29	CK73GB1C224K	CHIP C	0.22UF 16V K	1	
	C30	CK73GB1C224K	CHIP C	0.22UF 16V K	1	
	C31	CK73GB1H562K	CHIP C	5600PF 50V K	1	
	C32	CK73GB1H562K	CHIP C	5600PF 50V K	1	
	C33	CK73GB1H333K	CHIP C	0.033UF 50V K	1	
	C34	CK73GB1H333K	CHIP C	0.033UF 50V K	1	
	C35	CC73GCH1H821J	CHIP C	820PF 50V J	1	
	C36	CC73GCH1H821J	CHIP C	820PF 50V J	1	
	C37	CC73GCH1H560J	CHIP C	56PF 50V J	1	
	C38	CC73GCH1H560J	CHIP C	56PF 50V J	1	
	C39	CC73GCH1H821J	CHIP C	820PF 50V J	1	
	C40	CC73GCH1H821J	CHIP C	820PF 50V J	1	
	C41	CC73GCH1H561J	CHIP C	560PF 50V J	1	
	C42	CC73GCH1H561J	CHIP C	560PF 50V J	1	
	C43	CK73GB1H103K	CHIP C	0.010UF 50V K	1	
	C44	CK73GB1H103K	CHIP C	0.010UF 50V K	1	
	C45	CE32CL1C470M	ELECTRO	47UF 16WV M	1	
	C46	CE32CL1C470M	ELECTRO	47UF 16WV M	1	
	C47	CC73GCH1H331J	CHIP C	330PF 50V J	1	
	C48	CC73GCH1H331J	CHIP C	330PF 50V J	1	
	C49	CC73GCH1H102J	CHIP C	1000PF J	1	

MODEL	MARK	MODEL	MARK
XR400-4	K0	XR400-4	W1

Safe	Symbol No.	Parts No.	Parts Name	Description	QTY	Local
	C50	CC73GCH1H102J	CHIP C	1000PF J	1	
	C51	CC73GCH1H102J	CHIP C	1000PF J	1	
	C52	CC73GCH1H102J	CHIP C	1000PF J	1	
	C53	CK73FB1C106K	CHIP C	10UF 16V K	1	
	C54	CK73FB1C106K	CHIP C	10UF 16V K	1	
	C55	CC73GCH1H102J	CHIP C	1000PF J	1	
	C56	CC73GCH1H102J	CHIP C	1000PF J	1	
	C57	CK73FB1C106K	CHIP C	10UF 16V K	1	
	C58	CK73FB1C106K	CHIP C	10UF 16V K	1	
	C59	CK73FB1C106K	CHIP C	10UF 16V K	1	
	C60	CK73FB1C106K	CHIP C	10UF 16V K	1	
	C61	CK73FB1C106K	CHIP C	10UF 16V K	1	
	C62	CK73FB1C106K	CHIP C	10UF 16V K	1	
	C63	CK73GB1H104K	CHIP C	0.10UF 50V K	1	
	C64	CK73GB1H104K	CHIP C	0.10UF 50V K	1	
	C65	CK73GB1H104K	CHIP C	0.10UF 50V K	1	
	C66	CK73GB1H104K	CHIP C	0.10UF 50V K	1	
	C67	CK73FB1C106K	CHIP C	10UF 16V K	1	
	C68	CK73FB1C106K	CHIP C	10UF 16V K	1	
	C69	CC73GCH1H102J	CHIP C	1000PF J	1	
	C70	CC73GCH1H102J	CHIP C	1000PF J	1	
	C71	CC73GCH1H102J	CHIP C	1000PF J	1	
	C72	CC73GCH1H102J	CHIP C	1000PF J	1	
	C73	CC73GCH1H102J	CHIP C	1000PF J	1	
	C74	CC73GCH1H102J	CHIP C	1000PF J	1	
	C75	CC73GCH1H102J	CHIP C	1000PF J	1	
	C76	CC73GCH1H102J	CHIP C	1000PF J	1	
	C77	CK73FB1H224K	CHIP C	0.22UF 50V K	1	
	C78	CK73FB1H224K	CHIP C	0.22UF 50V K	1	
	C79	CK73FB1H224K	CHIP C	0.22UF 50V K	1	
	C80	CK73FB1H224K	CHIP C	0.22UF 50V K	1	
	C81	CK73GB1H104K	CHIP C	0.10UF 50V K	1	
	C82	CK73GB1H104K	CHIP C	0.10UF 50V K	1	
	C83	CE32CC1V220M	ELECTRO	22UF 35WV M	1	
	C84	CE32CC1V220M	ELECTRO	22UF 35WV M	1	
	C85	CC73GCH1H151J	CHIP C	150PF 50V J	1	
	C86	CC73GCH1H151J	CHIP C	150PF 50V J	1	
	C87	CK73GB1H104K	CHIP C	0.10UF 50V K	1	
	C88	CK73GB1H104K	CHIP C	0.10UF 50V K	1	
	C89	CE32CC1V220M	ELECTRO	22UF 35WV M	1	
	C90	CE32CC1V220M	ELECTRO	22UF 35WV M	1	
	C91	CF92JV1H105J	FILM C	1UF 50V J	1	
	C92	CF92JV1H105J	FILM C	1UF 50V J	1	
	C93	CK73GB1H104K	CHIP C	0.10UF 50V K	1	
	C94	CK73GB1H104K	CHIP C	0.10UF 50V K	1	
	C95	CK73GB1H103K	CHIP C	0.010UF 50V K	1	
	C96	CK73GB1H103K	CHIP C	0.010UF 50V K	1	
	C97	CK73GB1H103K	CHIP C	0.010UF 50V K	1	
	C98	CK73GB1H103K	CHIP C	0.010UF 50V K	1	
	C99	CK73GB1H104K	CHIP C	0.10UF 50V K	1	
	C100	CK73GB1H104K	CHIP C	0.10UF 50V K	1	
	C101	CK73GB1H103K	CHIP C	0.010UF 50V K	1	
	C102	CK73GB1H103K	CHIP C	0.010UF 50V K	1	
	C103	CK73GB1H103K	CHIP C	0.010UF 50V K	1	
	C104	CK73GB1H103K	CHIP C	0.010UF 50V K	1	
	C201	CC73GCH1H102J	CHIP C	1000PF J	1	
	C202	CC73GCH1H102J	CHIP C	1000PF J	1	
	C203	CE32CL1C220M	ELECTRO	22UF 16WV M	1	
	C204	CE32CL1C220M	ELECTRO	22UF 16WV M	1	
	C205	CC73GCH1H330J	CHIP C	33PF 50V J	1	
	C206	CC73GCH1H330J	CHIP C	33PF 50V J	1	
	C207	CC73GCH1H330J	CHIP C	33PF 50V J	1	
	C208	CC73GCH1H330J	CHIP C	33PF 50V J	1	
	C209	CC73GCH1H560J	CHIP C	56PF 50V J	1	
	C210	CC73GCH1H560J	CHIP C	56PF 50V J	1	
	C211	CC73GCH1H330J	CHIP C	33PF 50V J	1	
	C212	CC73GCH1H330J	CHIP C	33PF 50V J	1	
	C213	CC73GCH1H560J	CHIP C	56PF 50V J	1	
	C214	CC73GCH1H560J	CHIP C	56PF 50V J	1	
	C215	CE32CL1C220M	ELECTRO	22UF 16WV M	1	
	C216	CE32CL1C220M	ELECTRO	22UF 16WV M	1	
	C219	CK73GB1H103K	CHIP C	0.010UF 50V K	1	
	C220	CK73GB1H103K	CHIP C	0.010UF 50V K	1	
	C221	CC73GCH1H560J	CHIP C	56PF 50V J	1	
	C222	CC73GCH1H560J	CHIP C	56PF 50V J	1	
	C223	CK73GB1H103K	CHIP C	0.010UF 50V K	1	
	C224	CK73GB1H103K	CHIP C	0.010UF 50V K	1	
	C225	CK73GB1H103K	CHIP C	0.010UF 50V K	1	
	C226	CK73GB1H103K	CHIP C	0.010UF 50V K	1	
	C227	CC73GCH1H560J	CHIP C	56PF 50V J	1	
	C228	CC73GCH1H560J	CHIP C	56PF 50V J	1	
	C229	CK73GB1C224K	CHIP C	0.22UF 16V K	1	
	C230	CK73GB1C224K	CHIP C	0.22UF 16V K	1	
	C231	CK73GB1H562K	CHIP C	5600PF 50V K	1	
	C232	CK73GB1H562K	CHIP C	5600PF 50V K	1	
	C233	CK73GB1H333K	CHIP C	0.033UF 50V K	1	
	C234	CK73GB1H333K	CHIP C	0.033UF 50V K	1	
	C235	CC73GCH1H821J	CHIP C	820PF 50V J	1	
	C236	CC73GCH1H821J	CHIP C	820PF 50V J	1	
	C237	CC73GCH1H560J	CHIP C	56PF 50V J	1	
	C238	CC73GCH1H560J	CHIP C	56PF 50V J	1	
	C239	CC73GCH1H821J	CHIP C	820PF 50V J	1	
	C240	CC73GCH1H821J	CHIP C	820PF 50V J	1	
	C241	CC73GCH1H561J	CHIP C	560PF 50V J	1	
	C242	CC73GCH1H561J	CHIP C	560PF 50V J	1	

MODEL	MARK	MODEL	MARK
XR400-4	K0	XR400-4	W1

Safe	Symbol No.	Parts No.	Parts Name	Description	QTY	Local
	C243	CK73GB1H103K	CHIP C	0.010UF 50V K	1	
	C244	CK73GB1H103K	CHIP C	0.010UF 50V K	1	
	C245	CE32CL1C470M	ELECTRO	47UF 16WV M	1	
	C246	CE32CL1C470M	ELECTRO	47UF 16WV M	1	
	C247	CC73GCH1H331J	CHIP C	330PF 50V J	1	
	C248	CC73GCH1H331J	CHIP C	330PF 50V J	1	
	C249	CC73GCH1H102J	CHIP C	1000PF J	1	
	C250	CC73GCH1H102J	CHIP C	1000PF J	1	
	C251	CC73GCH1H102J	CHIP C	1000PF J	1	
	C252	CC73GCH1H102J	CHIP C	1000PF J	1	
	C253	CK73FB1C106K	CHIP C	10UF 16V K	1	
	C254	CK73FB1C106K	CHIP C	10UF 16V K	1	
	C255	CC73GCH1H102J	CHIP C	1000PF J	1	
	C256	CC73GCH1H102J	CHIP C	1000PF J	1	
	C257	CK73FB1C106K	CHIP C	10UF 16V K	1	
	C258	CK73FB1C106K	CHIP C	10UF 16V K	1	
	C259	CK73FB1C106K	CHIP C	10UF 16V K	1	
	C260	CK73FB1C106K	CHIP C	10UF 16V K	1	
	C261	CK73FB1C106K	CHIP C	10UF 16V K	1	
	C262	CK73FB1C106K	CHIP C	10UF 16V K	1	
	C263	CK73GB1H104K	CHIP C	0.10UF 50V K	1	
	C264	CK73GB1H104K	CHIP C	0.10UF 50V K	1	
	C265	CK73GB1H104K	CHIP C	0.10UF 50V K	1	
	C266	CK73GB1H104K	CHIP C	0.10UF 50V K	1	
	C267	CK73FB1C106K	CHIP C	10UF 16V K	1	
	C268	CK73FB1C106K	CHIP C	10UF 16V K	1	
	C269	CC73GCH1H102J	CHIP C	1000PF J	1	
	C270	CC73GCH1H102J	CHIP C	1000PF J	1	
	C271	CC73GCH1H102J	CHIP C	1000PF J	1	
	C272	CC73GCH1H102J	CHIP C	1000PF J	1	
	C273	CC73GCH1H102J	CHIP C	1000PF J	1	
	C274	CC73GCH1H102J	CHIP C	1000PF J	1	
	C275	CC73GCH1H102J	CHIP C	1000PF J	1	
	C276	CC73GCH1H102J	CHIP C	1000PF J	1	
	C277	CK73FB1H224K	CHIP C	0.22UF 50V K	1	
	C278	CK73FB1H224K	CHIP C	0.22UF 50V K	1	
	C279	CK73FB1H224K	CHIP C	0.22UF 50V K	1	
	C280	CK73FB1H224K	CHIP C	0.22UF 50V K	1	
	C281	CK73GB1H104K	CHIP C	0.10UF 50V K	1	
	C282	CK73GB1H104K	CHIP C	0.10UF 50V K	1	
	C283	CE32CC1V220M	ELECTRO	22UF 35WV M	1	
	C284	CE32CC1V220M	ELECTRO	22UF 35WV M	1	
	C285	CC73GCH1H151J	CHIP C	150PF 50V J	1	
	C286	CC73GCH1H151J	CHIP C	150PF 50V J	1	
	C287	CK73GB1H104K	CHIP C	0.10UF 50V K	1	
	C288	CK73GB1H104K	CHIP C	0.10UF 50V K	1	
	C289	CE32CC1V220M	ELECTRO	22UF 35WV M	1	
	C290	CE32CC1V220M	ELECTRO	22UF 35WV M	1	
	C291	CF92JV1H105J	FILM C	1UF 50V J	1	
	C292	CF92JV1H105J	FILM C	1UF 50V J	1	
	C293	CK73GB1H104K	CHIP C	0.10UF 50V K	1	
	C294	CK73GB1H104K	CHIP C	0.10UF 50V K	1	
	C295	CK73GB1H103K	CHIP C	0.010UF 50V K	1	
	C296	CK73GB1H103K	CHIP C	0.010UF 50V K	1	
	C297	CK73GB1H103K	CHIP C	0.010UF 50V K	1	
	C298	CK73GB1H103K	CHIP C	0.010UF 50V K	1	
	C299	CK73GB1H104K	CHIP C	0.10UF 50V K	1	
	C300	CK73GB1H104K	CHIP C	0.10UF 50V K	1	
	C301	CK73GB1H103K	CHIP C	0.010UF 50V K	1	
	C302	CK73GB1H103K	CHIP C	0.010UF 50V K	1	
	C303	CK73GB1H103K	CHIP C	0.010UF 50V K	1	
	C304	CK73GB1H103K	CHIP C	0.010UF 50V K	1	
	C501	CE32CL0J101M	ELECTRO	100UF 6.3WV M	1	
	C502	C90-7019-05	ELECTRO	2700UF 16WV RJF	1	
	C503	C90-7019-05	ELECTRO	2700UF 16WV RJF	1	
	C504	CK73GB1H222K	CHIP C	2200PF 50V K	1	
	C505	CK73GB1H222K	CHIP C	2200PF 50V K	1	
	C506	CK73GB1H102K	CHIP C	1000PF 50V K	1	
	C507	CC73GCH1H102J	CHIP C	1000PF J	1	
	C508	CE32CL0J470M	ELECTRO	47UF 6.3WV M	1	
	C509	CK73GB1H103K	CHIP C	0.010UF 50V K	1	
	C510	CK73GB1C105K	CHIP C	1.0UF 16V K	1	
	C511	CK73GB1H104K	CHIP C	0.10UF 50V K	1	
	C512	CK73GB1H104K	CHIP C	0.10UF 50V K	1	
	C513	CK73GB1H104K	CHIP C	0.10UF 50V K	1	
	C514	CC73GCH1H102J	CHIP C	1000PF J	1	
	C515	CK73FB1C106K	CHIP C	10UF 16V K	1	
	C516	CK73GB1H103K	CHIP C	0.010UF 50V K	1	
	C517	CC73GCH1H102J	CHIP C	1000PF J	1	
	C518	CK73GB1H104K	CHIP C	0.10UF 50V K	1	
	C519	CK73GB1H104K	CHIP C	0.10UF 50V K	1	
	C520	CC73GCH1H471J	CHIP C	470PF 50V J	1	
	C521	CC73GCH1H471J	CHIP C	470PF 50V J	1	
	C522	C90-7020-05	ELECTRO	3300UF 35WV RJD	1	
	C523	C90-7020-05	ELECTRO	3300UF 35WV RJD	1	
	C524	CK73GB1H103K	CHIP C	0.010UF 50V K	1	
	C525	CK73GB1H103K	CHIP C	0.010UF 50V K	1	
	C526	CK73EB1E106K	CHIP C	10UF 25V K	1	
	C527	CE32CL1C470M	ELECTRO	47UF 16WV M	1	
	C528	CK73EB1E106K	CHIP C	10UF 25V K	1	
	C529	CE32CL1C470M	ELECTRO	47UF 16WV M	1	
	C530	CK73EB1E106K	CHIP C	10UF 25V K	1	
	C531	CE32CL1C470M	ELECTRO	47UF 16WV M	1	
	C532	CE32CL0J470M	ELECTRO	47UF 6.3WV M	1	

MODEL	MARK	MODEL	MARK
XR400-4	K0	XR400-4	W1

Safe	Symbol No.	Parts No.	Parts Name	Description	QTY	Local
	C533	CE32CL0J470M	ELECTRO	47UF 6.3WV M	1	
	C536	CK73GB1H103K	CHIP C	0.010UF 50V K	1	
	C540	CK73GB1H104K	CHIP C	0.10UF 50V K	1	
	C541	CK73GB1C105K	CHIP C	1.0UF 16V K	1	
	C542	CC73GCH1H102J	CHIP C	1000PF J	1	
	C543	CK73GB1H103K	CHIP C	0.010UF 50V K	1	
	C544	CK73GB1H103K	CHIP C	0.010UF 50V K	1	
	C550	CK73EB1E106K	CHIP C	10UF 25V K	1	
	C551	CK73GB1H103K	CHIP C	0.010UF 50V K	1	
	C552	CK73GB1H103K	CHIP C	0.010UF 50V K	1	
	C553	CK73GB1H104K	CHIP C	0.10UF 50V K	1	
	C557	CK73FB1C106K	CHIP C	10UF 16V K	1	
	C558	CK73GB1H103K	CHIP C	0.010UF 50V K	1	
	C559	CK73GB1H103K	CHIP C	0.010UF 50V K	1	
	C560	CK73GB1C105K	CHIP C	1.0UF 16V K	1	
	C564	CK73GB1H103K	CHIP C	0.010UF 50V K	1	
	C565	CK73GB1H103K	CHIP C	0.010UF 50V K	1	
	C566	CK73GB1H103K	CHIP C	0.010UF 50V K	1	
	C567	CK73GB1H103K	CHIP C	0.010UF 50V K	1	
	C571	CK73FB1C106K	CHIP C	10UF 16V K	1	
	C572	CK73FB1C106K	CHIP C	10UF 16V K	1	
	C573	CK73GB1H102K	CHIP C	1000PF 50V K	1	
	C574	CE32BR1E101M	ELECTRO	100UF 25WV M	1	
	C587	CK73GB1H103K	CHIP C	0.010UF 50V K	1	
	C589	CC73GCH1H020C	CHIP C	2.0PF 50V C	1	
	C590	CC73GCH1H020C	CHIP C	2.0PF 50V C	1	
	C591	CC73GCH1H020C	CHIP C	2.0PF 50V C	1	
	C592	CC73GCH1H020C	CHIP C	2.0PF 50V C	1	
	R1	RK73EB2E102J	CHIP R	1.0K J 1/4W	1	
	R2	RK73EB2E102J	CHIP R	1.0K J 1/4W	1	
	R3	RK73GB2A472J	CHIP R	4.7K J 1/10W	1	
	R4	RK73GB2A472J	CHIP R	4.7K J 1/10W	1	
	R5	RK73GB2A472J	CHIP R	4.7K J 1/10W	1	
	R6	RK73GB2A472J	CHIP R	4.7K J 1/10W	1	
	R7	RK73GB2A103J	CHIP R	10K J 1/10W	1	
	R8	RK73GB2A103J	CHIP R	10K J 1/10W	1	
	R9	RK73GH2A103D	CHIP R	10K D 1/10W	1	
	R10	RK73GH2A103D	CHIP R	10K D 1/10W	1	
	R11	RK73GH2A103D	CHIP R	10K D 1/10W	1	
	R12	RK73GH2A103D	CHIP R	10K D 1/10W	1	
	R13	RK73GH2A113D	CHIP R	11K D 1/10W	1	
	R14	RK73GH2A113D	CHIP R	11K D 1/10W	1	
	R15	RK73GH2A113D	CHIP R	11K D 1/10W	1	
	R16	RK73GH2A113D	CHIP R	11K D 1/10W	1	
	R17	RK73GB2A104J	CHIP R	100K J 1/10W	1	
	R18	RK73GB2A104J	CHIP R	100K J 1/10W	1	
	R19	RK73GB2A431J	CHIP R	430 J 1/10W	1	
	R20	RK73GB2A431J	CHIP R	430 J 1/10W	1	
	R21	RK73GB2A162J	CHIP R	1.6K J 1/10W	1	
	R22	RK73GB2A162J	CHIP R	1.6K J 1/10W	1	
	R23	RK73GB2A470J	CHIP R	47 J 1/10W	1	
	R24	RK73GB2A470J	CHIP R	47 J 1/10W	1	
	R25	RK73GB2A471J	CHIP R	470 J 1/10W	1	
	R26	RK73GB2A471J	CHIP R	470 J 1/10W	1	
	R27	RK73GB2A123J	CHIP R	12K J 1/10W	1	
	R28	RK73GB2A123J	CHIP R	12K J 1/10W	1	
	R33	RK73GB2A101J	CHIP R	100 J 1/10W	1	
	R34	RK73GB2A101J	CHIP R	100 J 1/10W	1	
	R35	RK73GB2A103J	CHIP R	10K J 1/10W	1	
	R36	RK73GB2A103J	CHIP R	10K J 1/10W	1	
	R37	RK73GB2A101J	CHIP R	100 J 1/10W	1	
	R38	RK73GB2A101J	CHIP R	100 J 1/10W	1	
	R39	RK73GB2A103J	CHIP R	10K J 1/10W	1	
	R40	RK73GB2A103J	CHIP R	10K J 1/10W	1	
	R41	RK73GB2A222J	CHIP R	2.2K J 1/10W	1	
	R42	RK73GB2A222J	CHIP R	2.2K J 1/10W	1	
	R43	RK73GB2A103J	CHIP R	10K J 1/10W	1	
	R44	RK73GB2A103J	CHIP R	10K J 1/10W	1	
	R45	RK73GB2A103J	CHIP R	10K J 1/10W	1	
	R46	RK73GB2A103J	CHIP R	10K J 1/10W	1	
	R49	RK73GB2A103J	CHIP R	10K J 1/10W	1	
	R50	RK73GB2A103J	CHIP R	10K J 1/10W	1	
	R51	RK73GB2A103J	CHIP R	10K J 1/10W	1	
	R52	RK73GB2A103J	CHIP R	10K J 1/10W	1	
	R53	RK73GB2A622J	CHIP R	6.2K J 1/10W	1	
	R54	RK73GB2A622J	CHIP R	6.2K J 1/10W	1	
	R55	RK73GB2A272J	CHIP R	2.7K J 1/10W	1	
	R56	RK73GB2A272J	CHIP R	2.7K J 1/10W	1	
	R59	RK73GB2A223J	CHIP R	22K J 1/10W	1	
	R60	RK73GB2A223J	CHIP R	22K J 1/10W	1	
	R63	RK73GB2A622J	CHIP R	6.2K J 1/10W	1	
	R64	RK73GB2A622J	CHIP R	6.2K J 1/10W	1	
	R65	RK73GB2A622J	CHIP R	6.2K J 1/10W	1	
	R66	RK73GB2A622J	CHIP R	6.2K J 1/10W	1	
	R75	RK73GB2A103J	CHIP R	10K J 1/10W	1	
	R76	RK73GB2A103J	CHIP R	10K J 1/10W	1	
	R77	RK73GB2A222J	CHIP R	2.2K J 1/10W	1	
	R78	RK73GB2A222J	CHIP R	2.2K J 1/10W	1	
	R79	RK73GB2A102J	CHIP R	1.0K J 1/10W	1	
	R80	RK73GB2A102J	CHIP R	1.0K J 1/10W	1	
	R81	RK73GB2A152J	CHIP R	1.5K J 1/10W	1	
	R82	RK73GB2A911J	CHIP R	910 J 1/10W	1	
	R83	RK73GB2A1R0J	CHIP R	1.0 J 1/10W	1	
	R84	RK73GB2A1R0J	CHIP R	1.0 J 1/10W	1	

MODEL	MARK	MODEL	MARK
XR400-4	K0	XR400-4	W1

Safe	Symbol No.	Parts No.	Parts Name	Description	QTY	Local
R85		RK73GB2A1R0J	CHIP R	1.0 J 1/10W	1	
R86		RK73GB2A1R0J	CHIP R	1.0 J 1/10W	1	
R87		RK73GB2A103J	CHIP R	10K J 1/10W	1	
R88		RK73GB2A103J	CHIP R	10K J 1/10W	1	
R89		RK73GB2A183J	CHIP R	18K J 1/10W	1	
R90		RK73GB2A183J	CHIP R	18K J 1/10W	1	
R91		RK73GB2A473J	CHIP R	47K J 1/10W	1	
R92		RK73GB2A473J	CHIP R	47K J 1/10W	1	
R93		RK73GB2A223J	CHIP R	22K J 1/10W	1	
R94		RK73GB2A223J	CHIP R	22K J 1/10W	1	
R95		RK73GB2A103J	CHIP R	10K J 1/10W	1	
R96		RK73GB2A103J	CHIP R	10K J 1/10W	1	
R97		RK73GB2A303J	CHIP R	30K J 1/10W	1	
R98		RK73GB2A303J	CHIP R	30K J 1/10W	1	
R99		RK73GB2A103J	CHIP R	10K J 1/10W	1	
R100		RK73GB2A103J	CHIP R	10K J 1/10W	1	
R101		RK73GB2A103J	CHIP R	10K J 1/10W	1	
R102		RK73GB2A103J	CHIP R	10K J 1/10W	1	
R103		RK73FB2B4R7J	CHIP R	4.7 J 1/8W	1	
R104		RK73FB2B4R7J	CHIP R	4.7 J 1/8W	1	
R105		RK73FB2B100J	CHIP R	10 J 1/8W	1	
R106		RK73FB2B100J	CHIP R	10 J 1/8W	1	
R107		RK73FB2B150J	CHIP R	15 J 1/8W	1	
R108		RK73FB2B150J	CHIP R	15 J 1/8W	1	
R109		RK73FB2B150J	CHIP R	15 J 1/8W	1	
R110		RK73FB2B150J	CHIP R	15 J 1/8W	1	
R111		RK73FB2B100J	CHIP R	10 J 1/8W	1	
R112		RK73FB2B100J	CHIP R	10 J 1/8W	1	
R113		RK73FB2B100J	CHIP R	10 J 1/8W	1	
R114		RK73FB2B100J	CHIP R	10 J 1/8W	1	
R115		RK73GB2A102J	CHIP R	1.0K J 1/10W	1	
R116		RK73GB2A102J	CHIP R	1.0K J 1/10W	1	
R117		RK73GB2A223J	CHIP R	22K J 1/10W	1	
R118		RK73GB2A223J	CHIP R	22K J 1/10W	1	
R119		RK73GB2A223J	CHIP R	22K J 1/10W	1	
R120		RK73GB2A223J	CHIP R	22K J 1/10W	1	
R121		RK73GB2A101J	CHIP R	100 J 1/10W	1	
R122		RK73GB2A101J	CHIP R	100 J 1/10W	1	
R131		RK73EB2E100J	CHIP R	10 J 1/4W	1	
R132		RK73EB2E100J	CHIP R	10 J 1/4W	1	
R133		RK73EB2E222J	CHIP R	2.2K J 1/4W	1	
R134		RK73EB2E222J	CHIP R	2.2K J 1/4W	1	
R149		RK73GB2A913J	CHIP R	91K J 1/10W	1	
R150		RK73GB2A913J	CHIP R	91K J 1/10W	1	
R151		RK73GB2A183J	CHIP R	18K J 1/10W	1	
R152		RK73GB2A183J	CHIP R	18K J 1/10W	1	
R153		RK73GB2A104J	CHIP R	100K J 1/10W	1	
R154		RK73GB2A104J	CHIP R	100K J 1/10W	1	
R201		RK73EB2E102J	CHIP R	1.0K J 1/4W	1	
R202		RK73EB2E102J	CHIP R	1.0K J 1/4W	1	
R203		RK73GB2A472J	CHIP R	4.7K J 1/10W	1	
R204		RK73GB2A472J	CHIP R	4.7K J 1/10W	1	
R205		RK73GB2A472J	CHIP R	4.7K J 1/10W	1	
R206		RK73GB2A472J	CHIP R	4.7K J 1/10W	1	
R207		RK73GB2A103J	CHIP R	10K J 1/10W	1	
R208		RK73GB2A103J	CHIP R	10K J 1/10W	1	
R209		RK73GH2A103D	CHIP R	10K D 1/10W	1	
R210		RK73GH2A103D	CHIP R	10K D 1/10W	1	
R211		RK73GH2A103D	CHIP R	10K D 1/10W	1	
R212		RK73GH2A103D	CHIP R	10K D 1/10W	1	
R213		RK73GH2A113D	CHIP R	11K D 1/10W	1	
R214		RK73GH2A113D	CHIP R	11K D 1/10W	1	
R215		RK73GH2A113D	CHIP R	11K D 1/10W	1	
R216		RK73GH2A113D	CHIP R	11K D 1/10W	1	
R217		RK73GB2A104J	CHIP R	100K J 1/10W	1	
R218		RK73GB2A104J	CHIP R	100K J 1/10W	1	
R219		RK73GB2A431J	CHIP R	430 J 1/10W	1	
R220		RK73GB2A431J	CHIP R	430 J 1/10W	1	
R221		RK73GB2A162J	CHIP R	1.6K J 1/10W	1	
R222		RK73GB2A162J	CHIP R	1.6K J 1/10W	1	
R223		RK73GB2A470J	CHIP R	47 J 1/10W	1	
R224		RK73GB2A470J	CHIP R	47 J 1/10W	1	
R225		RK73GB2A471J	CHIP R	470 J 1/10W	1	
R226		RK73GB2A471J	CHIP R	470 J 1/10W	1	
R227		RK73GB2A123J	CHIP R	12K J 1/10W	1	
R228		RK73GB2A123J	CHIP R	12K J 1/10W	1	
R233		RK73GB2A101J	CHIP R	100 J 1/10W	1	
R234		RK73GB2A101J	CHIP R	100 J 1/10W	1	
R235		RK73GB2A103J	CHIP R	10K J 1/10W	1	
R236		RK73GB2A103J	CHIP R	10K J 1/10W	1	
R237		RK73GB2A101J	CHIP R	100 J 1/10W	1	
R238		RK73GB2A101J	CHIP R	100 J 1/10W	1	
R239		RK73GB2A103J	CHIP R	10K J 1/10W	1	
R240		RK73GB2A103J	CHIP R	10K J 1/10W	1	
R241		RK73GB2A222J	CHIP R	2.2K J 1/10W	1	
R242		RK73GB2A222J	CHIP R	2.2K J 1/10W	1	
R243		RK73GB2A103J	CHIP R	10K J 1/10W	1	
R244		RK73GB2A103J	CHIP R	10K J 1/10W	1	
R245		RK73GB2A103J	CHIP R	10K J 1/10W	1	
R246		RK73GB2A103J	CHIP R	10K J 1/10W	1	
R249		RK73GB2A103J	CHIP R	10K J 1/10W	1	
R250		RK73GB2A103J	CHIP R	10K J 1/10W	1	
R251		RK73GB2A103J	CHIP R	10K J 1/10W	1	
R252		RK73GB2A103J	CHIP R	10K J 1/10W	1	

MODEL	MARK	MODEL	MARK
XR400-4	K0	XR400-4	W1

Safe	Symbol No.	Parts No.	Parts Name	Description	QTY	Local
	R253	RK73GB2A622J	CHIP R	6.2K J 1/10W	1	
	R254	RK73GB2A622J	CHIP R	6.2K J 1/10W	1	
	R255	RK73GB2A272J	CHIP R	2.7K J 1/10W	1	
	R256	RK73GB2A272J	CHIP R	2.7K J 1/10W	1	
	R259	RK73GB2A223J	CHIP R	22K J 1/10W	1	
	R260	RK73GB2A223J	CHIP R	22K J 1/10W	1	
	R263	RK73GB2A622J	CHIP R	6.2K J 1/10W	1	
	R264	RK73GB2A622J	CHIP R	6.2K J 1/10W	1	
	R265	RK73GB2A622J	CHIP R	6.2K J 1/10W	1	
	R266	RK73GB2A622J	CHIP R	6.2K J 1/10W	1	
	R275	RK73GB2A103J	CHIP R	10K J 1/10W	1	
	R276	RK73GB2A103J	CHIP R	10K J 1/10W	1	
	R277	RK73GB2A222J	CHIP R	2.2K J 1/10W	1	
	R278	RK73GB2A222J	CHIP R	2.2K J 1/10W	1	
	R279	RK73GB2A102J	CHIP R	1.0K J 1/10W	1	
	R280	RK73GB2A102J	CHIP R	1.0K J 1/10W	1	
	R281	RK73GB2A681J	CHIP R	680 J 1/10W	1	
	R282	RK73GB2A561J	CHIP R	560 J 1/10W	1	
	R283	RK73GB2A1R0J	CHIP R	1.0 J 1/10W	1	
	R284	RK73GB2A1R0J	CHIP R	1.0 J 1/10W	1	
	R285	RK73GB2A1R0J	CHIP R	1.0 J 1/10W	1	
	R286	RK73GB2A1R0J	CHIP R	1.0 J 1/10W	1	
	R287	RK73GB2A103J	CHIP R	10K J 1/10W	1	
	R288	RK73GB2A103J	CHIP R	10K J 1/10W	1	
	R289	RK73GB2A183J	CHIP R	18K J 1/10W	1	
	R290	RK73GB2A183J	CHIP R	18K J 1/10W	1	
	R291	RK73GB2A473J	CHIP R	47K J 1/10W	1	
	R292	RK73GB2A473J	CHIP R	47K J 1/10W	1	
	R293	RK73GB2A223J	CHIP R	22K J 1/10W	1	
	R294	RK73GB2A223J	CHIP R	22K J 1/10W	1	
	R295	RK73GB2A103J	CHIP R	10K J 1/10W	1	
	R296	RK73GB2A103J	CHIP R	10K J 1/10W	1	
	R297	RK73GB2A303J	CHIP R	30K J 1/10W	1	
	R298	RK73GB2A303J	CHIP R	30K J 1/10W	1	
	R299	RK73GB2A103J	CHIP R	10K J 1/10W	1	
	R300	RK73GB2A103J	CHIP R	10K J 1/10W	1	
	R301	RK73GB2A103J	CHIP R	10K J 1/10W	1	
	R302	RK73GB2A103J	CHIP R	10K J 1/10W	1	
	R303	RK73FB2B4R7J	CHIP R	4.7 J 1/8W	1	
	R304	RK73FB2B4R7J	CHIP R	4.7 J 1/8W	1	
	R305	RK73FB2B100J	CHIP R	10 J 1/8W	1	
	R306	RK73FB2B100J	CHIP R	10 J 1/8W	1	
	R307	RK73FB2B150J	CHIP R	15 J 1/8W	1	
	R308	RK73FB2B150J	CHIP R	15 J 1/8W	1	
	R309	RK73FB2B150J	CHIP R	15 J 1/8W	1	
	R310	RK73FB2B150J	CHIP R	15 J 1/8W	1	
	R311	RK73FB2B100J	CHIP R	10 J 1/8W	1	
	R312	RK73FB2B100J	CHIP R	10 J 1/8W	1	
	R313	RK73FB2B100J	CHIP R	10 J 1/8W	1	
	R314	RK73FB2B100J	CHIP R	10 J 1/8W	1	
	R315	RK73GB2A102J	CHIP R	1.0K J 1/10W	1	
	R316	RK73GB2A102J	CHIP R	1.0K J 1/10W	1	
	R317	RK73GB2A223J	CHIP R	22K J 1/10W	1	
	R318	RK73GB2A223J	CHIP R	22K J 1/10W	1	
	R319	RK73GB2A223J	CHIP R	22K J 1/10W	1	
	R320	RK73GB2A223J	CHIP R	22K J 1/10W	1	
	R321	RK73GB2A101J	CHIP R	100 J 1/10W	1	
	R322	RK73GB2A101J	CHIP R	100 J 1/10W	1	
	R323	RK73GB2A102J	CHIP R	1.0K J 1/10W	1	
	R331	RK73EB2E100J	CHIP R	10 J 1/4W	1	
	R332	RK73EB2E100J	CHIP R	10 J 1/4W	1	
	R333	RK73EB2E222J	CHIP R	2.2K J 1/4W	1	
	R334	RK73EB2E222J	CHIP R	2.2K J 1/4W	1	
	R349	RK73GB2A913J	CHIP R	91K J 1/10W	1	
	R350	RK73GB2A913J	CHIP R	91K J 1/10W	1	
	R351	RK73GB2A183J	CHIP R	18K J 1/10W	1	
	R352	RK73GB2A183J	CHIP R	18K J 1/10W	1	
	R353	RK73GB2A104J	CHIP R	100K J 1/10W	1	
	R354	RK73GB2A104J	CHIP R	100K J 1/10W	1	
	R501	RK73GB2A102J	CHIP R	1.0K J 1/10W	1	
	R502	RK73GB2A562J	CHIP R	56K J 1/10W	1	
	R503	RK73GB2A680J	CHIP R	68 J 1/10W	1	
	R504	RK73GB2A680J	CHIP R	68 J 1/10W	1	
	R505	RK73GB2A680J	CHIP R	68 J 1/10W	1	
	R506	RK73GB2A680J	CHIP R	68 J 1/10W	1	
	R507	RK73GB2A680J	CHIP R	68 J 1/10W	1	
	R508	RK73GB2A680J	CHIP R	68 J 1/10W	1	
	R509	RK73GB2A472J	CHIP R	4.7K J 1/10W	1	
	R510	RK73GB2A472J	CHIP R	4.7K J 1/10W	1	
	R511	RK73GB2A102J	CHIP R	1.0K J 1/10W	1	
	R512	RK73GB2A102J	CHIP R	1.0K J 1/10W	1	
	R513	RK73EB2E152J	CHIP R	1.5K J 1/4W	1	
	R514	RK73PB2H100J	CHIP R	10 J 1/2W	1	
	R515	RK73PB2H100J	CHIP R	10 J 1/2W	1	
	R516	RK73PB2H100J	CHIP R	10 J 1/2W	1	
	R517	RK73GB2A183J	CHIP R	18K J 1/10W	1	
	R518	RK73GB2A331J	CHIP R	330 J 1/10W	1	
	R519	RK73GB2A682J	CHIP R	6.8K J 1/10W	1	
	R520	RK73GB2A154J	CHIP R	150K J 1/10W	1	
	R521	RK73GB2A223J	CHIP R	22K J 1/10W	1	
	R522	RK73GB2A102J	CHIP R	1.0K J 1/10W	1	
	R523	RK73GB2A103J	CHIP R	10K J 1/10W	1	
	R524	RK73GB2A103J	CHIP R	10K J 1/10W	1	
	R525	RK73GB2A103J	CHIP R	10K J 1/10W	1	
	R526	RK73GB2A472J	CHIP R	4.7K J 1/10W	1	

MODEL	MARK	MODEL	MARK
XR400-4	K0	XR400-4	W1

Safe	Symbol No.	Parts No.	Parts Name	Description	QTY	Local
	R527	RK73GB2A472J	CHIP R	4.7K J 1/10W	1	
	R528	RK73GB2A472J	CHIP R	4.7K J 1/10W	1	
	R529	RK73GB2A103J	CHIP R	10K J 1/10W	1	
	R530	RK73GB2A682J	CHIP R	6.8K J 1/10W	1	
	R531	RK73GB2A152J	CHIP R	1.5K J 1/10W	1	
	R532	RK73EB2E122J	CHIP R	1.2K J 1/4W	1	
	R533	RK73GB2A392J	CHIP R	3.9K J 1/10W	1	
	R534	RK73PB2H100J	CHIP R	10 J 1/2W	1	
	R535	RK73PB2H100J	CHIP R	10 J 1/2W	1	
	R536	RK73EB2E153J	CHIP R	15K J 1/4W	1	
	R537	RK73EB2E153J	CHIP R	15K J 1/4W	1	
	R538	RK73EB2E4R7J	CHIP R	4.7 J 1/4W	1	
	R539	RK73EB2E4R7J	CHIP R	4.7 J 1/4W	1	
	R540	RK73GB2A682J	CHIP R	6.8K J 1/10W	1	
	R541	RK73GB2A101J	CHIP R	100 J 1/10W	1	
	R542	RK73GB2A682J	CHIP R	6.8K J 1/10W	1	
	R543	RK73GB2A101J	CHIP R	100 J 1/10W	1	
	R544	RK73EB2E4R7J	CHIP R	4.7 J 1/4W	1	
	R545	RK73EB2E472J	CHIP R	4.7K J 1/4W	1	
	R546	RK73GB2A821J	CHIP R	820 J 1/10W	1	
	R547	RK73GB2A472J	CHIP R	4.7K J 1/10W	1	
	R548	RK73GB2A103J	CHIP R	10K J 1/10W	1	
	R549	RK73GB2A153J	CHIP R	15K J 1/10W	1	
	R550	RK73GB2A100J	CHIP R	10 J 1/10W	1	
	R551	RK73PB2H151J	CHIP R	150 J 1/2W	1	
	R552	RK73PB2H151J	CHIP R	150 J 1/2W	1	
	R559	RK73GB2A473J	CHIP R	47K J 1/10W	1	
	R560	RK73GB2A203J	CHIP R	20K J 1/10W	1	
	R561	RK73GB2A474J	CHIP R	470K J 1/10W	1	
	R562	RK73GB2A202J	CHIP R	2.0K J 1/10W	1	
	R563	RK73GB2A473J	CHIP R	47K J 1/10W	1	
	R569	RK73GB2A103J	CHIP R	10K J 1/10W	1	
	R570	RK73GB2A103J	CHIP R	10K J 1/10W	1	
	R571	RK73GB2A103J	CHIP R	10K J 1/10W	1	
	R572	RK73GB2A223J	CHIP R	22K J 1/10W	1	
	R573	RK73GB2A473J	CHIP R	47K J 1/10W	1	
	R574	RK73GB2A103J	CHIP R	10K J 1/10W	1	
	R575	RK73GB2A103J	CHIP R	10K J 1/10W	1	
	R576	RK73GB2A153J	CHIP R	15K J 1/10W	1	
	R577	RK73GB2A392J	CHIP R	3.9K J 1/10W	1	
	R580	RK73GB2A223J	CHIP R	22K J 1/10W	1	
	R581	RK73GB2A751J	CHIP R	750 J 1/10W	1	
	R582	RK73GB2A223J	CHIP R	22K J 1/10W	1	
	R583	RK73GB2A751J	CHIP R	750 J 1/10W	1	
	R587	RK73GB2A102J	CHIP R	1.0K J 1/10W	1	
	R588	RK73GB2A333J	CHIP R	33K J 1/10W	1	
	R589	RK73GB2A154J	CHIP R	150K J 1/10W	1	
	R590	RK73GB2A472J	CHIP R	4.7K J 1/10W	1	
	R591	RK73GB2A103J	CHIP R	10K J 1/10W	1	
	R592	RK73GB2A103J	CHIP R	10K J 1/10W	1	
	R593	RK73GB2A472J	CHIP R	4.7K J 1/10W	1	
	R594	RK73GB2A474J	CHIP R	470K J 1/10W	1	
	R597	RK73GB2A273J	CHIP R	27K J 1/10W	1	
	R598	RK73GB2A103J	CHIP R	10K J 1/10W	1	
	R601	RK73GB2A101J	CHIP R	100 J 1/10W	1	
	R604	RK73GB2A103J	CHIP R	10K J 1/10W	1	
	R605	RK73GB2A272J	CHIP R	2.7K J 1/10W	1	
	R606	RK73GB2A272J	CHIP R	2.7K J 1/10W	1	
	R607	RK73GB2A102J	CHIP R	1.0K J 1/10W	1	
	R608	RK73GB2A102J	CHIP R	1.0K J 1/10W	1	
	R609	RK73GB2A101J	CHIP R	100 J 1/10W	1	
	R610	RK73GB2A101J	CHIP R	100 J 1/10W	1	
	R611	RK73GB2A223J	CHIP R	22K J 1/10W	1	
	R612	RK73GB2A102J	CHIP R	1.0K J 1/10W	1	
	R613	RK73GB2A223J	CHIP R	22K J 1/10W	1	
	R614	RK73GB2A470J	CHIP R	47 J 1/10W	1	
	R615	RK73GB2A123J	CHIP R	12K J 1/10W	1	
	R616	RK73GB2A103J	CHIP R	10K J 1/10W	1	
	R617	RK73GB2A563J	CHIP R	56K J 1/10W	1	
	R618	RK73GB2A472J	CHIP R	4.7K J 1/10W	1	
	R623	RK73GB2A473J	CHIP R	47K J 1/10W	1	
	R624	RK73GB2A473J	CHIP R	47K J 1/10W	1	
	R625	RK73GB2A300J	CHIP R	30 J 1/10W	1	
	R626	RK73GB2A300J	CHIP R	30 J 1/10W	1	
	R627	RK73GB2A272J	CHIP R	2.7K J 1/10W	1	
	R629	RK73GB2A103J	CHIP R	10K J 1/10W	1	
	VR1	R31-0258-05	VARIABLE RESISTOR	10K(A)	1	
	VR2	R31-0258-05	VARIABLE RESISTOR	10K(A)	1	
	VR3	R31-0257-05	VARIABLE RESISTOR	50K(C)	1	
	VR4	R31-0257-05	VARIABLE RESISTOR	50K(C)	1	
	L1	L33-3210-05	CHOKE COIL	10UH	1	
	L2	L33-3210-05	CHOKE COIL	10UH	1	
	L201	L33-3210-05	CHOKE COIL	10UH	1	
	L202	L33-3210-05	CHOKE COIL	10UH	1	
	L505	L19-0852-05	TRANSFORMER FOR CONVERTER		1	
	L506	L33-3209-05	CHOKE COIL		1	
	J1	E70-0874-15	SCREW TERMINAL BOARD		1	
	J2	E63-1000-05	PIN JACK		1	
	S1	S62-0842-05	SLIDE SWITCH		1	
	S2	S62-0878-05	SLIDE SWITCH		1	
	S3	S31-2630-05	SLIDE SWITCH		1	
	S4	S62-0878-05	SLIDE SWITCH		1	

MODEL	MARK	MODEL	MARK
XR400-4	K0	XR400-4	W1

Safe	Symbol No.	Parts No.	Parts Name	Description	QTY	Local
	S5	S31-2630-05	SLIDE SWITCH		1	
	TH502	NCP18WB473J0S	THERMISTOR	47KOHM	1	
	TH503	NCP18WB473J0S	THERMISTOR	47KOHM	1	