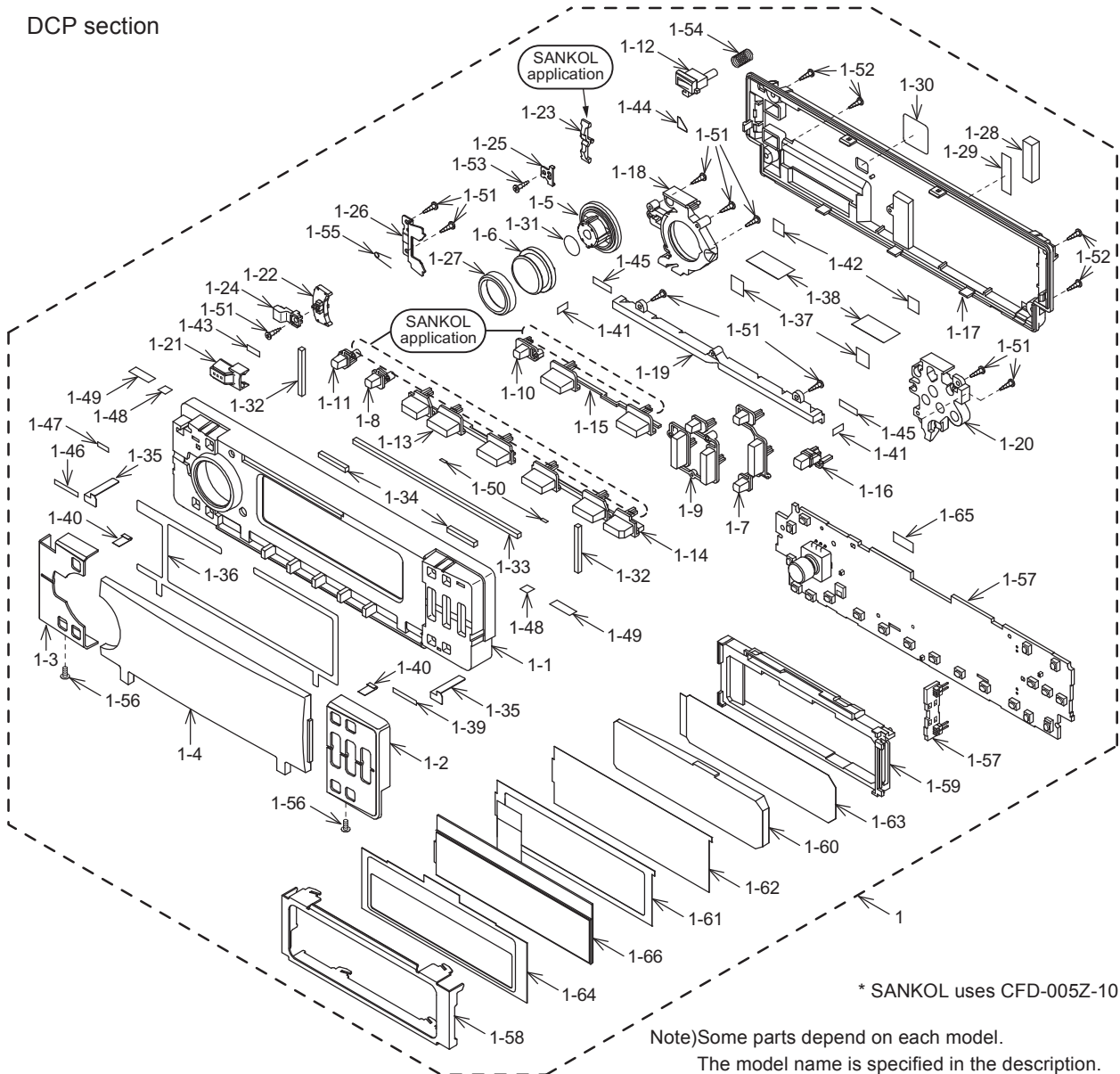


EXPLODED VIEW / PARTS LIST

DCP section



* SANKOL uses CFD-005Z-10.

Note)Some parts depend on each model.

The model name is specified in the description.

DCP ASSY includes a DCP CASE (335-6035-20).

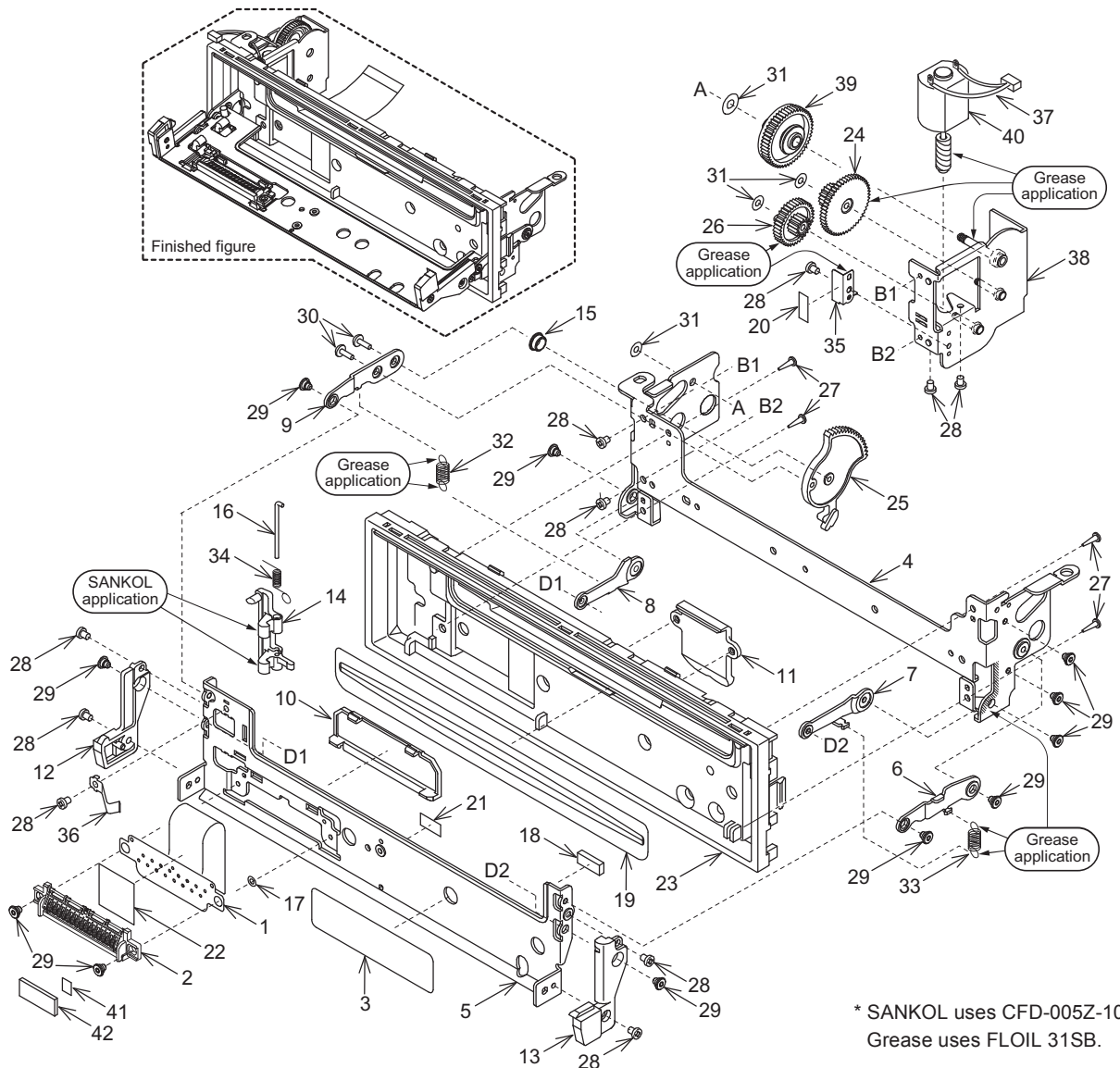
NO.	PART NO.	DESCRIPTION	Q'TY
1	DCP-511-600 DCP-513-800	DCP-ASSY(PE2745B) DCP-ASSY(PE2745K)	1
1-1	370-6138-00	ESCUTCHEON	1
1-2	371-5799-04 371-5799-03	FACE PANEL(PE2745B) FACE PANEL(PE2745K)	1
1-3	371-5800-01	FACE PANEL	1
1-4	373-1045-08 373-1045-10	DIAL-CVR(PE2745B) DIAL-CVR(PE2745K)	1
1-5	380-5608-00	KNOB	1
1-6	380-5609-00	KNOB CVR	1
1-7	382-7226-03	BUTTON(T/C/ISR)	1
1-8	382-7227-00	BUTTON(A-M)	1
1-9	382-7229-02	BUTTON(EJ/D/A)	1
1-10	382-7230-00	BUTTON(ENT)	1
1-11	382-7231-00	BUTTON(ADJ)	1
1-12	382-7232-00	BUTTON(RELEASE)	1
1-13	382-7233-01	BUTTON(SRC/1/3)	1
1-14	382-7234-01	BUTTON(4/6/BND)	1

NO.	PART NO.	DESCRIPTION	Q'TY
1-15	382-7237-01	BUTTON(2/5)	1
1-16	382-7281-00	BUTTON(REC)	1
1-17	335-6899-01	REAR CVR	1
1-18	335-7347-00	ILLUMI PLATE(L)	1
1-19	335-7348-00	ILLUMI PLATE(M)	1
1-20	335-7349-00	ILLUMI PLATE(R)	1
1-21	335-7401-00	LEVER CAP	1
1-22	335-7403-00	BASE LEVER	1
1-23	335-7404-00	LEVER ARM	1
1-24	335-7457-00	LEVER INNER	1
1-25	331-3944-00	ARM CVR	1
1-26	331-3945-00	LEVER HOLDER	1
1-27	345-5489-00	RUBBER RING	1
1-28	345-8647-00	CUSHION	1
1-29	347-6628-00	SPACER FILM	1
1-30	347-6977-00	COVER FILM	1

DXZ755MC
DXZ756MC

NO.	PART NO.	DESCRIPTION	Q'TY	NO.	PART NO.	DESCRIPTION	Q'TY
1-31	347-6988-00	DOUBLE FACE	1	1-49	347-7576-00	SPACER(SRC/BND)	2
1-32	347-7036-00	CUSHION	2	1-50	347-7577-00	SPACER	2
1-33	347-7037-00	CUSHION	1	1-51	716-0872-01	PAD SCREW(M1.7 x 6)	10
1-34	347-7159-00	CUSHION	2	1-52	716-0872-12	PAD SCREW(M1.7 x 8)	4
1-35	347-7506-00	SURGE FILM	2	1-53	716-0872-20	PAD SCREW(M1.7 x 4)	1
1-36	347-7507-00	DOUBLE FACE	1	1-54	750-6720-00	SPRING (REL)	1
1-37	347-7508-00	SHADE	2	1-55	750-6794-00	SPRING(LEVER)	1
1-38	347-7509-00	SHADE	2	1-56	778-6019-00	SPECIAL SCREW(M1.7 x 6)	2
1-39	347-7510-00	DOUBLE FACE	1	1-57	-----	SWITCH PWB	1
1-40	347-7530-00	FILM	2	1-58	331-3918-00	LCD COVER	1
1-41	347-7531-00	FILM	2	1-59	335-7350-01	LCD HOLDER	1
1-42	347-7534-00	REFLECTOR	2	1-60	335-7351-00	ILLUMI PLATE	1
1-43	347-7537-00	DOUBLE FACE	1	1-61	347-7394-00	FILM(BLACK)	1
1-44	347-7539-00	SPACER	1	1-62	347-7395-00	FILM(LCD)	1
1-45	347-7540-00	REFLECTOR	2	1-63	347-7396-00	REFLECTOR	1
1-46	347-7573-00	DOUBLE FACE	1	1-64	347-7397-00	SHADE	1
1-47	347-7574-00	DOUBLE FACE	1	1-65	347-7533-00	SPACER	1
1-48	347-7575-00	SPACER	2	1-66	379-1321-80	LCD MODULE	1

Inner Escutcheon section

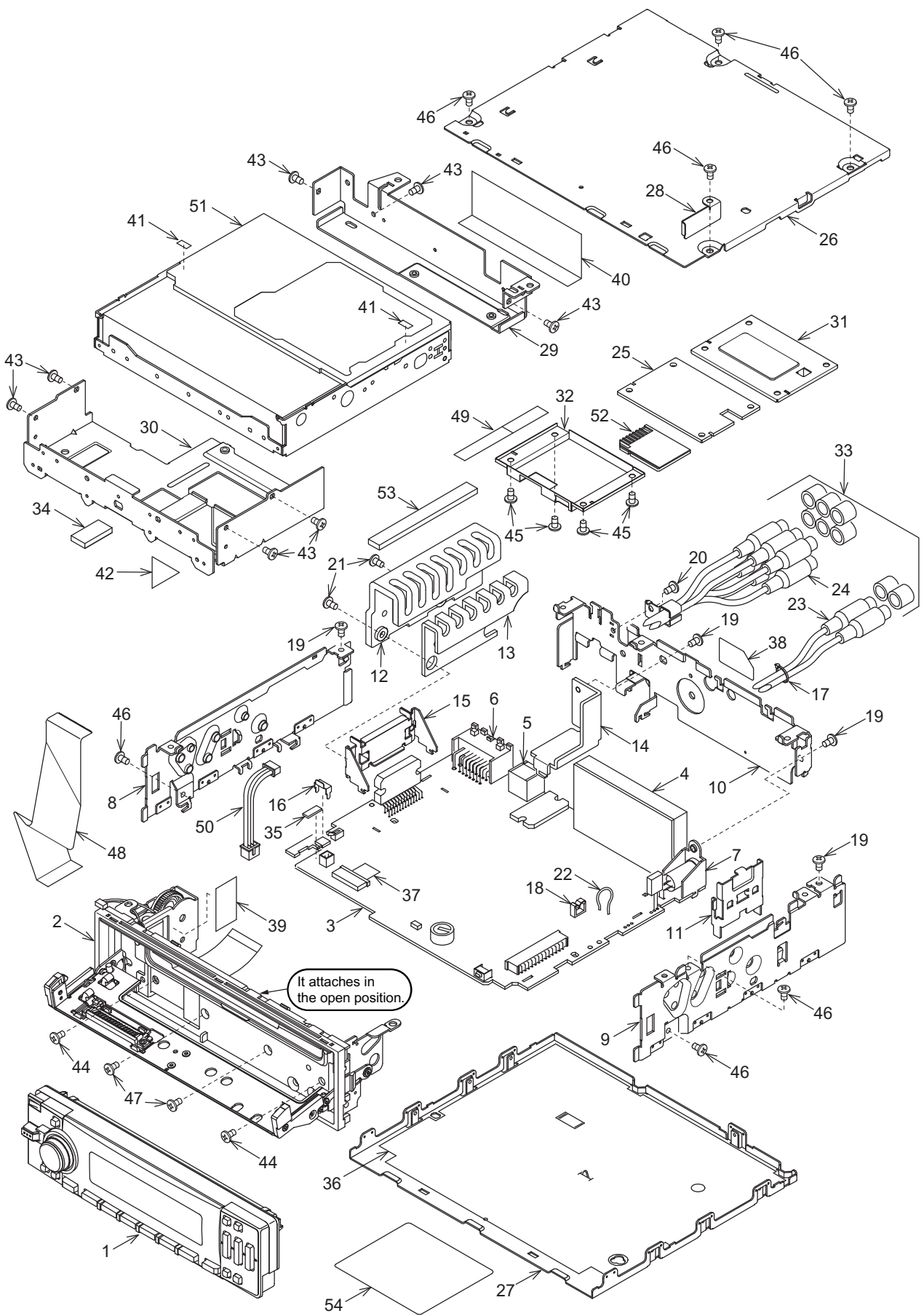


NO.	PART NO.	DESCRIPTION	Q'TY	NO.	PART NO.	DESCRIPTION	Q'TY
1	039-2409-00	FPC(WITHOUT COMPONENT)	1	22	347-6528-00	INSULATER	1
2	074-1278-01	OUTLET SOKET(DCP)	1	23	370-5935-07	ESCUTCHEON	1
3	291-0102-00	STICKER	1	24	613-0717-00	INPUT GEAR	1
4	309-0772-02	FRONT PLATE	1	25	613-0719-00	ARM GEAR	1
5	331-3115-01	DCP HOLDER	1	26	613-0733-00	HUS-GEAR	1
6	331-3117-01	LEVER-UP(R)	1	27	716-0872-00	PAD SCREW(M1.7 x 5)	4
7	331-3118-01	LEVER-LO(R)	1	28	716-1468-20	SCREW(M2 x 2.5)	10
8	331-3119-00	LEVER-LO(L)	1	29	716-1715-02	DECO-SCREW(M2)	11
9	331-3120-00	LEVER-UP(L)	1	30	716-1758-00	PAD SCREW(2 x 5)	2
10	335-6499-00	CN-CVR	1	31	746-0768-20	WASHER(4.3/1.6)	4
11	335-6505-00	ILLUMI PLATE	1	32	750-3303-20	SPRING(ARM)	1
12	335-6903-00	ARM-CVR(L)	1	33	750-3304-20	SPRING(GEAR)	1
13	335-6904-00	ARM-CVR(R)	1	34	750-3431-02	SPRING(HOOK)	1
14	335-7484-00	HOOK	1	35	750-3432-00	SPRING(MOTOR)	1
15	341-1740-00	ROLLER(ARM)	1	36	750-3457-00	SPRING	1
16	341-1802-00	SHAFT	1	37	854-4380-01	EXTENSION LEAD	1
17	347-7347-00	SPACER	1	38	946-0079-01	GEAR-BOX ASSY	1
18	345-8627-00	CUSHION	1	39	947-0513-02	T-LIM-GEAR-ASSY	1
19	346-0150-02	LEATHER SHEET	1	40	634-0024-00	MOTOR-ASSY	1
20	347-6275-00	FILM	1	41	345-5556-00	SPACER	1
21	347-6527-00	CUSHION	1	42	345-5557-00	CUSHION	1

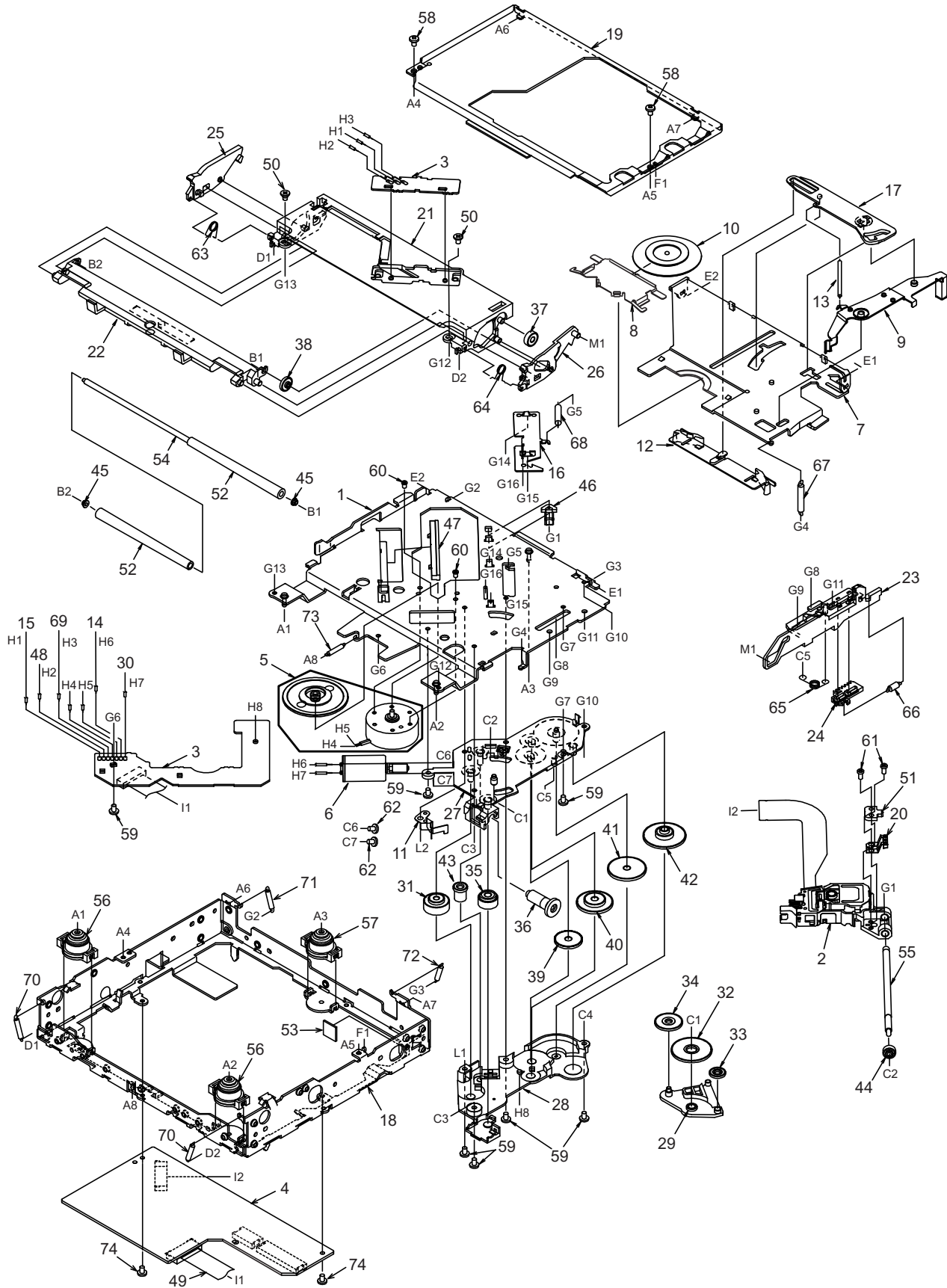
Main section

NO.	PART NO.	DESCRIPTION	Q'TY	NO.	PART NO.	DESCRIPTION	Q'TY
1	DCP-511-600 DCP-513-800	DCP ASSY(PE2745B) DCP ASSY(PE2745K)	1	28	331-2744-00	STOPPER	1
2	-----	INNER-ES-SECTION	1	29	331-3324-01	MECH-BRKT(R)	1
3	-----	MAIN PWB	1	30	331-3688-00	MECH-BRKT(F)	1
4	880-2090B	AM/FM TUNER	1	31	331-3699-00	SD-LOW-CASE	1
5	074-1194-00	OUTLET SOCKET(CeNET)	1	32	331-3700-00	SD-UP-CASE	1
6	074-1214-00	OUTLET SOCKET(16P)	1	33	345-3799-20	RUBBER PART	8
7	092-4000-51	ANT-RECEPT	1	34	345-5318-00	CUSHION	1
8	305-0274-01	SIDE-CVR(L)	1	35	345-8701-00	CUSHION	1
9	305-0275-00	SIDE-CVR(R)	1	36	347-5918-00	INSULATOR	1
10	307-0616-06	REAR-CVR	1	37	347-6215-00	SPACER-FILM	1
11	313-1651-21	HEAT SINK	1	38	347-6245-00	FILM	1
12	313-1844-00	HEAT SINK	1	39	347-6536-00	PROTECT SHEET	1
13	313-1845-00	HEAT SINK	1	40	347-6705-00	INSULATOR	1
14	313-1885-00	HEAT SINK	1	41	347-6821-00	SPCER FILM	2
15	331-4009-00	IC-HOLDER	1	42	347-7017-00	DOUBLE FACE	1
16	331-3378-00	SW-HOLDER	1	43	714-2603-80	MACHINE SCREW(M2.6 x 3)	7
17	335-0833-01	LEAD HOLDER	1	44	716-0717-10	STEEL SCREW(M2.3 x 3)	2
18	335-3700-00	MINI-SADDLE	1	45	716-0878-00	IT-SCREW(M2.6 x 5)	4
19	714-3006-81	MACHINE SCREW(M3 x 6)	4	46	731-3006-80	TAPTIGHT(M3 x 6)	7
20	731-3006-80	TAPTIGHT(M3 x 6)	1	47	780-2005-00	SCREW(M2 x 5)	2
21	731-3008-87	TAPTIGHT(M3 x 8)	2	48	816-2626-50	FLAT WIRE(CD)	1
22	800-0708-50	VINYL-COAT-WIRE	1	49	816-2639-00	FLAT WIRE(SLOT)	1
23	855-5489-50	RCA PIN CORD(AUX2CH)	1	50	854-4568-50	EXTENSION LEAD(SLOT)	1
24	855-5491-50	RCA PIN CORD(6CH)	1	51	929-0601-81	CD MECHANISM	1
25	-----	SLOT PWB	1	52	948-0688-01	MEMORY CARD(128MB)	1
26	303-0472-06	UPPER-CVR	1	53	345-5441-00	HEAT RUBBER	1
27	304-0460-01	LOWER-CVR	1	54	286-6587-00 286-6588-00	SETPLATE(PE2745B) SETPLATE(PE2745KA)	1

DXZ755MC
DXZ756MC



CD mechanism section (929-0601-81)



NO.	PART NO.	DESCRIPTION	Q'TY	NO.	PART NO.	DESCRIPTION	Q'TY
1	966-0595-25	DRIVE PLATE ASSY	1	38	621-0721-20	ROLLER GEAR D	1
2	969-0065-31	PICK UP UNIT	1	39	621-0616-20	POWER GEAR A	1
3	-----	LED PWB	1	40	621-0617-20	POWER GEAR B	1
4	-----	CD PWB	1	41	621-0618-20	POWER GEAR C	1
5	SMA-182-100	MOTOR ASSY(SPINDLE)	1	42	621-0619-20	POWER GEAR D	1
6	SMA-183-100	MOTOR ASSY(SLED)	1	43	621-0620-20	THREAD GEAR A	1
7	620-1022-26	CLAMPER LINK	1	44	621-0621-20	THREAD GEAR B	1
8	620-1023-23	CLAMPER PLATE	1	45	621-1726-20	ROLLER SLEEVE	2
9	620-1721-20	SENSOR ARM	1	46	621-0623-23	LS-HOLDER	1
10	621-0708-20	CLAMPER RING	1	47	621-0624-22	GUIDE RAIL	1
11	621-0626-21	STOPPER LINK	1	48	816-2593-00	LEAD WIRE(PUR)	1
12	621-0627-21	DISC STOPPER	1	49	816-2624-50	FLAT WIRE(10P)	1
13	750-3471-20	SENSOR SPRING	1	50	716-3473-00	IT SCREW(M2 x 3)	2
14	803-4906-60	VINYL COAT WIRE(ORG)	1	51	621-1729-20	SH-BASE	1
15	816-2591-00	LEAD WIRE(YEL)	1	52	621-0711-20	LOADING ROLLER	2
16	620-1025-22	ID-LOCK PLATE	1	53	345-5476-20	CUSHION RUBBER	1
17	620-1026-21	SPRING PLATE	1	54	622-1660-20	ROLLER SHAFT	1
18	620-1585-21	LOWER CHASSIS	1	55	624-0018-01	LEAD SCREW	1
19	620-1028-23	UPPER CHASSIS	1	56	629-0086-20	DAMPER F	2
20	966-0638-20	SH-RACK ASSY	1	57	629-0087-20	DAMPER R	1
21	621-0598-27	UPPER GUIDE	1	58	714-2003-81	MACHINE SCREW(M2 x 3)	2
22	621-0718-21	ROLLER GUIDE	1	59	716-1507-00	SCREW(M2 x 3)	7
23	621-0600-26	SHIFT LEVER	1	60	716-1733-00	SCREW(M1.7 x 2.3)	2
24	621-1735-20	RACK	1	61	716-3469-00	SCREW(3 x 4)	2
25	621-0602-22	LOCK ARM L	1	62	716-3446-00	SCREW(M1.4 x 2.5)	2
26	621-1718-20	LOCK ARM R	1	63	750-3465-21	ROLLER SPRING L	1
27	621-0724-21	GEAR BASE	1	64	750-3466-20	ROLLER SPRING R	1
28	621-0605-22	GEAR COVER	1	65	750-3467-21	SHIFT SPRING	1
29	621-1719-20	IDLE CASE	1	66	750-3468-20	RACK SPRING	1
30	816-2590-00	VINYL COAT WIRE(GRN)	1	67	750-3469-20	CLAMPER SPRING	1
31	621-0608-21	SECOND GEAR	1	68	750-3470-20	ID-LOCK SPRING	1
32	621-0609-20	BASE GEAR	1	69	816-2592-00	LEAD WIRE(BLU)	1
33	621-0610-20	IDLE GEAR A	1	70	750-3472-21	DR-SPRING F	2
34	621-0611-20	IDLE GEAR B	1	71	750-3473-20	DR-SPRING RA	1
35	621-0612-21	ROLLER GEAR A	1	72	750-3474-20	DR-SPRING RB	1
36	621-0719-20	ROLLER GEAR B	1	73	750-3475-21	DR-SPRING C	1
37	621-0720-20	ROLLER GEAR C	1	74	716-1670-00	SCREW(M2 x 4)	2

ELECTRICAL PARTS LIST

Slot PWB(B1) section

REF No.	PART No.	DESCRIPTION	REF No.	PART No.	DESCRIPTION	REF No.	PART No.	DESCRIPTION
C290	168-1032-55	0.01uF	R292	119-4731-15	1/16W 47k ohm	R298	119-4701-15	1/16W 47 ohm
D290	001-2601-90	MA728-TX	R293	119-4731-15	1/16W 47k ohm	R299	119-1011-15	1/16W 100 ohm
J901	074-8001-00	OUTLET SOCKET	R294	119-4731-15	1/16W 47k ohm	TM901	073-0762-90	TERMINAL
J902	074-1158-57	7P	R295	119-4731-15	1/16W 47k ohm	TM902	073-0762-90	TERMINAL
P901	076-0488-03	3P	R296	119-4731-15	1/16W 47k ohm	PWB	039-2463-00	PWB(WITHOUT COMPONENT)
R291	119-4731-15	1/16W 47k ohm	R297	119-1011-15	1/16W 100 ohm			

Switch PWB(B2) section

REF No.	PART No.	DESCRIPTION	REF No.	PART No.	DESCRIPTION	REF No.	PART No.	DESCRIPTION
C700	178-1052-78	1uF	D733	001-4301-35	HZU6.2B2-TR	R739	119-8211-15	1/10W 820 ohm
C701	178-1052-78	1uF	D734	001-4301-35	HZU6.2B2-TR	R740	119-6811-15	1/10W 680 ohm
C702	178-1052-78	1uF	D735	001-4301-35	HZU6.2B2-TR	R741	119-1031-15	1/10W 10k ohm
C703	178-1052-78	1uF	D738	001-4301-35	HZU6.2B2-TR	R742	119-2221-15	1/10W 2.2k ohm
C704	178-1052-78	1uF	D739	001-4301-35	HZU6.2B2-TR	R743	119-1031-15	1/10W 10k ohm
C706	178-1052-78	1uF	D740	001-4301-35	HZU6.2B2-TR	R744	119-2221-15	1/10W 2.2k ohm
C707	042-0423-97	16V 10uF	D741	001-1310-00	KDS160-RTK	R745	119-5611-15	1/10W 560 ohm
C710	042-0671-00	16V 4.7uF	D742	001-1310-00	KDS160-RTK	R750	119-0000-05	1/10W 0 ohm JW
C711	042-0671-00	16V 4.7uF	D743	001-1310-00	KDS160-RTK	R751	119-0000-05	1/10W 0 ohm JW
C712	043-0542-00	25V4.7uF	IC701	052-7075-00	uPD703037HGP	R752	119-0000-05	1/10W 0 ohm JW
C713	042-0671-00	16V 4.7uF	IR701	060-4017-90	IR RECEIVER	R753	119-1031-15	1/10W 10k ohm
C714	042-0671-00	16V 4.7uF	P701	076-0647-00	16P	R754	119-1031-15	1/10W 10k ohm
C715	042-0671-00	16V 4.7uF	P702	076-0708-02	2P	R755	119-1031-15	1/10W 10k ohm
C716	168-1042-78	16V 0.1uF	P703	076-0708-02	2P	R756	119-1031-15	1/10W 10k ohm
C720	168-1042-78	16V 0.1uF	P704	074-2002-76	26P	R757	119-1031-15	1/10W 10k ohm
C725	166-1011-50	100pF CH	Q708	125-2027-90	DTC143EU	R758	119-4721-15	1/10W 4.7k ohm
C726	166-1011-50	100pF CH	Q709	190-1365-50	2SA1365	R759	119-4721-15	1/10W 4.7k ohm
C727	168-1022-55	1000pF K	Q710	125-2017-96	RN1426	R760	119-3921-15	1/10W 3.9k ohm
C728	178-4742-78	0.47uF	Q711	125-2017-96	RN1426	R761	119-1041-15	1/10W 100k ohm
C729	168-1022-55	1000pF K	Q712	125-2017-96	RN1426	R762	119-1011-15	1/10W 100 ohm
C730	168-1022-55	1000pF K	Q713	125-2017-96	RN1426	R763	119-1011-15	1/10W 100 ohm
C731	168-1022-55	1000pF K	Q714	125-2017-96	RN1426	R764	119-1011-15	1/10W 100 ohm
C734	168-1022-55	1000pF K	Q715	125-2017-96	RN1426	R767	119-0000-05	1/10W 0 ohm JW
C735	168-1022-55	1000pF K	Q716	190-1365-50	2SA1365	R768	119-0000-05	1/10W 0 ohm JW
C736	168-1022-55	1000pF K	Q717	125-2027-90	DTC143EU	R772	119-0000-05	1/10W 0 ohm JW
C737	178-1052-78	1uF	Q722	125-2041-93	RT1N241M	R774	119-8211-15	1/10W 820 ohm
C738	168-4732-78	0.047uF K	R701	119-1041-15	1/10W 100k ohm	R775	119-8211-15	1/10W 820 ohm
C739	166-1011-50	100pF CH	R703	119-1041-15	1/10W 100k ohm	R778	119-0000-05	1/10W 0 ohm JW
C740	042-0671-00	16V 4.7uF	R704	119-1031-15	1/10W 10k ohm	S701	013-6312-50	SKRP-ABE-010
D701	001-7088-90	HSMF-A335-G33J1	R705	119-1031-15	1/10W 10k ohm	S702	013-6312-50	SKRP-ABE-010
D702	001-7088-90	HSMF-A335-G33J1	R710	119-1031-15	1/10W 10k ohm	S703	013-6312-50	SKRP-ABE-010
D703	001-7088-90	HSMF-A335-G33J1	R711	119-1031-15	1/10W 10k ohm	S704	013-6312-50	SKRP-ABE-010
D704	001-7088-90	HSMF-A335-G33J1	R714	119-6811-15	1/10W 680 ohm	S705	013-6312-50	SKRP-ABE-010
D705	001-7088-90	HSMF-A335-G33J1	R715	119-1521-15	1/10W 1.5k ohm	S706	013-6312-50	SKRP-ABE-010
D709	001-4301-35	HZU6.2B2-TR	R716	119-1521-15	1/10W 1.5k ohm	S707	013-6312-50	SKRP-ABE-010
D710	001-4301-35	HZU6.2B2-TR	R717	119-6811-15	1/10W 680 ohm	S708	013-6312-50	SKRP-ABE-010
D711	001-4301-35	HZU6.2B2-TR	R718	119-8211-15	1/10W 820 ohm	S709	013-6312-50	SKRP-ABE-010
D712	001-4301-35	HZU6.2B2-TR	R719	119-4711-15	1/10W 470 ohm	S710	013-6312-50	SKRP-ABE-010
D713	001-4301-35	HZU6.2B2-TR	R720	119-6811-15	1/10W 680 ohm	S711	013-6312-50	SKRP-ABE-010
D714	001-4301-35	HZU6.2B2-TR	R721	119-1521-15	1/10W 1.5k ohm	S712	013-6312-50	SKRP-ABE-010
D715	001-4301-35	HZU6.2B2-TR	R722	119-1521-15	1/10W 1.5k ohm	S713	013-6312-50	SKRP-ABE-010
D716	001-4301-35	HZU6.2B2-TR	R723	119-8211-15	1/10W 820 ohm	S714	013-6312-50	SKRP-ABE-010
D717	001-4301-35	HZU6.2B2-TR	R724	119-3911-15	1/10W 390 ohm	S715	013-6312-50	SKRP-ABE-010
D721	001-4301-35	HZU6.2B2-TR	R725	119-4311-15	1/10W 430 ohm	S716	013-6511-50	LS9J2M-1SR
D723	001-1310-00	KDS160-RTK	R726	119-8211-15	1/10W 820 ohm	S718	013-6312-50	SKRP-ABE-010
D724	001-1310-00	KDS160-RTK	R727	119-3911-15	1/10W 390 ohm	S720	013-6312-50	SKRP-ABE-010
D725	001-1310-00	KDS160-RTK	R728	119-4311-15	1/10W 430 ohm	S721	013-6312-50	SKRP-ABE-010
D726	001-1310-00	KDS160-RTK	R729	119-1031-15	1/10W 10k ohm	S722	013-6312-50	SKRP-ABE-010
D727	001-4301-35	HZU6.2B2-TR	R730	119-1031-15	1/10W 10k ohm	S723	016-9900-85	ROTARY ENCODER
D728	001-4301-35	HZU6.2B2-TR	R734	119-8211-15	1/10W 820 ohm	X701	060-1519-90	12.583MHz
D729	001-4301-35	HZU6.2B2-TR	R735	119-8211-15	1/10W 820 ohm	PWB	039-2659-01	PWB(WITHOUT COMPONENT)
D731	001-4301-35	HZU6.2B2-TR	R736	119-6811-15	1/10W 680 ohm			
D732	001-4301-35	HZU6.2B2-TR	R737	119-5611-15	1/10W 560 ohm			

Note)Some parts depend on each model.

The model name is specified in the description.

Main PWB(B3) section

REF No.	PART No.	DESCRIPTION	REF No.	PART No.	DESCRIPTION	REF No.	PART No.	DESCRIPTION
ANT1	092-4000-51	ANT-RECEPT	C5	168-2732-55	16V 0.027uF K	C9	168-2232-55	0.022uF K
BL1	880-2090B	AM/FM TUNER	C6	168-2732-55	16V 0.027uF K	C10	168-6822-55	6800pF K
C1	168-2232-55	0.022uF K	C7	187-4763-35	16V47uF	C11	042-1631-50	10V 100uF
C4	187-1053-65	50V 1uF	C8	168-2232-55	0.022uF K	C12	042-1631-50	10V 100uF

DXZ755MC
DXZ756MC

REF No.	PART No.	DESCRIPTION	REF No.	PART No.	DESCRIPTION	REF No.	PART No.	DESCRIPTION
C16	168-1042-78	16V 0.1uF	C314	163-1053-65	50V1uF	C585	168-1022-55	1000pF K
C18	163-1053-65	50V1uF	C401	168-1042-78	16V 0.1uF	C600	168-1032-55	0.01uF K
C20	163-4763-15	6.3V47uF	C402	168-1042-78	16V 0.1uF	C601	042-1650-00	5.5V 0.1F
C22	166-1011-50	100pF CH	C404	168-1042-78	16V 0.1uF	C602	168-1022-55	1000pF K
C23	166-1011-50	100pF CH	C405	168-1042-78	16V 0.1uF	C603	168-1032-55	0.01uF K
C24	166-3311-50	330pF CH	C406	168-1032-55	0.01uF K	C604	042-1505-80	25V 1uF
C25	166-1501-50	15pF CH	C408	168-1042-78	16V 0.1uF	C605	042-1577-00	6.3V 100uF
C26	166-1501-50	15pF CH	C409	168-1042-78	16V 0.1uF	C609	168-4732-78	0.047uF K
C28	168-1532-55	0.015uF K	C450	187-2263-15	6.3V 22uF	C612	187-1063-35	16V 10uF
C29	168-2232-55	0.022uF K	C451	187-2263-15	6.3V 22uF	C619	168-1022-55	1000pF K
C55	166-2201-50	22pF CH	C452	187-2263-15	6.3V 22uF	C621	166-1011-50	100pF CH
C66	166-2201-50	22pF CH	C453	187-2263-15	6.3V 22uF	C622	166-1011-50	100pF CH
C67	168-1032-55	0.01uF K	C454	187-2263-15	6.3V 22uF	C623	166-1011-50	100pF CH
C68	168-2232-55	0.022uF K	C455	187-2263-15	6.3V 22uF	C624	166-1011-50	100pF CH
C105	178-2242-78	0.22uF	C500	187-2253-65	50V 2.2uF	C625	166-1011-50	100pF CH
C106	178-2242-78	0.22uF	C501	163-2253-65	50V2.2uF	C902	166-1011-50	100pF CH
C107	178-2242-78	0.22uF	C502	163-2253-65	50V2.2uF	C903	168-1022-55	1000pF K
C108	178-2242-78	0.22uF	C504	168-1042-78	16V 0.1uF	C904	168-1032-55	0.01uF K
C110	168-1022-55	1000pF K	C505	187-2253-65	50V 2.2uF	C9015	166-1011-50	100pF CH
C111	168-1022-55	1000pF K	C506	163-2253-65	50V2.2uF	C9016	166-1011-50	100pF CH
C112	187-1063-37	16V10uF	C507	163-2253-65	50V2.2uF	D201	001-0592-61	1N5404
C113	187-1053-67	50V1uF	C509	168-1042-78	16V 0.1uF	D202	001-1310-00	KDS160-RTK
C114	168-1022-55	1000pF K	C512	168-2222-55	2200pF K	D204	001-1310-00	KDS160-RTK
C115	168-1022-55	1000pF K	C513	166-1007-50	10pF CH	D205	001-1310-00	KDS160-RTK
C116	168-1022-55	1000pF K	C516	168-2222-55	2200pF K	D206	001-0347-26	MA4047MTA
C117	187-1053-67	50V1uF	C517	166-1007-50	10pF CH	D207	001-0466-90	S5688B
C118	168-1022-55	1000pF K	C518	168-2222-55	2200pF K	D208	001-1310-00	KDS160-RTK
C119	168-1022-55	1000pF K	C519	168-2222-55	2200pF K	D209	001-0466-91	S5688G
C120	168-1022-55	1000pF K	C521	187-1063-35	16V 10uF	D210	001-0466-91	S5688G
C131	168-1032-55	0.01uF K	C522	187-1063-35	16V 10uF	D211	001-0466-91	S5688G
C132	168-1032-55	0.01uF K	C523	168-1042-78	16V 0.1uF	D212	001-0347-32	MA4056M
C133	168-1032-55	0.01uF K	C524	168-1042-78	16V 0.1uF	D213	001-0504-47	HZS9B3L
C136	168-1032-55	0.01uF K	C526	042-0654-52	16V 10uF	D214	001-1310-00	KDS160-RTK
C137	166-4711-50	470pF CH	C527	168-1042-78	16V 0.1uF	D215	001-0347-36	MA4062H
C138	166-4711-50	470pF CH	C528	042-0654-52	16V 10uF	D216	001-1310-00	KDS160-RTK
C139	166-4711-50	470pF CH	C529	168-1042-78	16V 0.1uF	D500	001-1310-00	KDS160-RTK
C140	166-4711-50	470pF CH	C530	168-1042-78	16V 0.1uF	D501	001-1310-00	KDS160-RTK
C141	166-4711-50	470pF CH	C531	189-2273-21	10V 220uF	D504	001-0529-44	MA8082-M
C142	166-4711-50	470pF CH	C532	187-1063-35	16V 10uF	D505	001-1310-00	KDS160-RTK
C200	172-1041-15	0.1uF	C539	168-1042-78	16V 0.1uF	D506	001-1310-00	KDS160-RTK
C201	042-1545-00	16V 2200uF	C540	168-1042-78	16V 0.1uF	D600	001-1310-00	KDS160-RTK
C203	187-1063-35	16V 10uF	C541	042-0654-52	16V 10uF	D602	001-7062-90	RBR1111C
C205	187-4763-35	16V47uF	C542	168-1042-78	16V 0.1uF	IC1	051-6201-90	LC72146M
C206	187-1073-35	16V 100uF	C543	168-1042-78	16V 0.1uF	IC101	051-2057-00	TB2906HQ
C207	188-1063-37	16V10uF	C547	042-0654-52	16V 10uF	IC200	051-3297-10	BA4916-V2
C208	163-2263-35	16V22uF	C548	042-0654-52	16V 10uF	IC201	051-3325-90	NJM2880U33
C210	187-3363-45	25V33uF	C549	178-3342-78	0.33uF	IC230	051-6078-90	BA6285AFP-Y-E2
C212	187-2273-15	6.3V 220uF	C550	042-0654-52	16V 10uF	IC302	051-3049-90	HA17558AFEL
C213	042-1631-50	10V 100uF	C551	042-0654-52	16V 10uF	IC401	051-5818-90	BA3834F
C214	187-2273-15	6.3V 220uF	C552	187-2253-65	50V 2.2uF	IC501	051-1811-90	BA3129F
C216	042-1631-50	10V 100uF	C553	187-2253-65	50V 2.2uF	IC503	051-3049-90	HA17558AFEL
C217	188-1063-37	16V10uF	C554	178-1052-78	1uF	IC504	051-5834-90	uPC5701GR-028-8JG
C219	166-1011-50	100pF CH	C555	178-1052-78	1uF	IC505	051-7106-90	CD4052B-PWR
C220	168-1042-78	16V 0.1uF	C556	163-3353-65	50V3.3uF	IC506	051-7106-90	CD4052B-PWR
C221	188-1063-37	16V10uF	C557	163-3363-25	10V33uF	IC509	051-5020-90	M61508FP
C222	166-1011-50	100pF CH	C558	178-1052-78	1uF	IC510	051-5835-90	M201
C230	042-1631-50	10V 100uF	C567	168-3322-55	3300pF K	IC600	052-3396-00	M30622MGP-199GP
C245	168-1042-78	16V 0.1uF	C568	168-6832-78	0.068uF K	IC601	051-5437-08	S-80821ANMP-EDJ-E2
C246	168-1042-78	16V 0.1uF	C569	168-3322-55	3300pF K	IC602	051-6600-58	HA12187FP
C247	043-0505-50	6.3V 2.2uF K	C570	168-6832-78	0.068uF K	IC603	051-5443-08	BD4850G-TR
C300	168-3322-55	3300pF K	C571	168-2232-55	0.022uF K	J201	074-1214-00	16P
C301	168-3322-55	3300pF K	C572	168-1022-55	1000pF K	J600	074-1194-00	13P CeNET
C302	187-2253-65	50V 2.2uF	C573	168-1022-55	1000pF K	J601	074-1198-68	18P
C303	187-2253-65	50V 2.2uF	C574	168-1022-55	1000pF K	J604	076-0312-02	2P
C304	168-2222-55	2200pF K	C575	168-1022-55	1000pF K	J605	076-0312-03	3P
C305	168-2222-55	2200pF K	C576	168-1022-55	1000pF K	J900	074-1138-70	20P
C306	163-2253-65	50V2.2uF	C577	168-2232-55	0.022uF K	L1	010-2275-53	220uH
C307	163-2253-65	50V2.2uF	C578	042-0654-52	16V 10uF	L52	010-4046-00	30uH
C308	163-1063-35	16V10uF	C579	042-0654-52	16V 10uF	L200	010-6009-64	2.2uH
C309	163-1063-35	16V10uF	C580	042-0654-52	16V 10uF	L201	010-8038-00	CHOCHE
C310	163-1063-35	16V10uF	C581	042-0654-52	16V 10uF	L202	010-6009-69	5.6uH
C311	163-1063-35	16V10uF	C582	166-2201-50	22pF CH	L203	010-6009-64	2.2uH
C312	168-4732-78	0.047uF K	C583	166-2201-50	22pF CH	L301	010-3105-62	1k ohm/100MHz
C313	168-4732-78	0.047uF K	C584	168-1022-55	1000pF K	L302	010-3105-62	1k ohm/100MHz

REF No.	PART No.	DESCRIPTION	REF No.	PART No.	DESCRIPTION	REF No.	PART No.	DESCRIPTION
L303	010-3105-62	1k ohm/100MHZ	R29	119-1021-15	1/10W 1k ohm	R477	119-0000-05	1/10W 0 ohm JW
L304	010-3105-62	1k ohm/100MHZ	R30	119-1041-15	1/10W 100k ohm	R493	119-0000-05	1/10W 0 ohm JW
L401	010-3406-50	NLV25 1uH J	R32	119-0000-05	1/10W 0 ohm JW	R494	119-0000-05	1/10W 0 ohm JW
L402	010-3406-66	NLV25 22uH J	R33	119-0000-05	1/10W 0 ohm JW	R495	119-0000-05	1/10W 0 ohm JW
L501	010-3406-66	NLV25 22uH J	R83	119-2221-15	1/10W 2.2k ohm	R496	119-0000-05	1/10W 0 ohm JW
L502	010-3406-66	NLV25 22uH J	R84	119-0000-05	1/10W 0 ohm JW	R497	119-0000-05	1/10W 0 ohm JW
L503	010-3105-62	1k ohm/100MHZ	R100	119-1231-15	1/10W 12k ohm	R498	119-0000-05	1/10W 0 ohm JW
L504	010-3105-62	1k ohm/100MHZ	R102	119-0000-05	1/10W 0 ohm JW	R500	119-1021-15	1/10W 1k ohm
L505	010-3105-62	1k ohm/100MHZ	R106	119-4731-15	1/10W 47k ohm	R501	119-1021-15	1/10W 1k ohm
L506	010-3105-62	1k ohm/100MHZ	R110	119-1021-15	1/10W 1k ohm	R502	119-1021-15	1/10W 1k ohm
L510	010-3105-62	1k ohm/100MHZ	R111	119-1021-15	1/10W 1k ohm	R503	119-1021-15	1/10W 1k ohm
L511	010-3105-62	1k ohm/100MHZ	R112	119-1021-15	1/10W 1k ohm	R504	119-5611-15	1/10W 560 ohm
L512	010-3105-62	1k ohm/100MHZ	R113	119-1021-15	1/10W 1k ohm	R505	119-5611-15	1/10W 560 ohm
L513	010-3105-62	1k ohm/100MHZ	R200	119-1041-15	1/10W 100k ohm	R507	119-4711-15	1/10W 470 ohm
L608	010-3406-54	NLV25 2.2uH J	R201	119-3931-15	1/10W 39k ohm	R508	119-4711-15	1/10W 470 ohm
L609	010-3103-64	1.5k ohm/100MHZ	R202	119-5621-15	1/10W 5.6k ohm	R509	119-4711-15	1/10W 470 ohm
Q6	125-3004-90	KTA1504S	R203	119-3311-15	1/10W 330 ohm	R510	119-4711-15	1/10W 470 ohm
Q7	125-3004-90	KTA1504S	R204	119-5631-15	1/10W 56k ohm	R511	119-1031-15	1/10W 10k ohm
Q8	125-2199-93	KRC103S	R206	119-1031-15	1/10W 10k ohm	R512	119-1031-15	1/10W 10k ohm
Q200	125-4011-90	KTD863	R207	119-1021-15	1/10W 1k ohm	R518	119-0000-05	1/10W 0 ohm JW
Q201	125-2199-96	KRC106S	R208	119-4731-15	1/10W 47k ohm	R522	119-1031-15	1/10W 10k ohm
Q202	125-3007-90	KTA1298	R209	119-1531-15	1/10W 15k ohm	R523	119-8221-15	1/10W 8.2k ohm
Q203	125-4010-90	KTC3875S	R210	119-1031-15	1/10W 10k ohm	R524	119-2231-15	1/10W 22k ohm
Q204	125-3004-90	KTA1504S	R211	119-4731-15	1/10W 47k ohm	R525	119-0000-05	1/10W 0 ohm JW
Q211	125-2199-96	KRC106S	R212	119-4721-15	1/10W 4.7k ohm	R526	119-1021-15	1/10W 1k ohm
Q212	125-0199-96	KRA106S	R220	119-3321-15	1/10W 3.3k ohm	R527	119-1041-15	1/10W 100k ohm
Q213	125-2199-93	KRC103S	R221	119-1031-15	1/10W 10k ohm	R528	119-0000-05	1/10W 0 ohm JW
Q214	125-3007-90	KTA1298	R224	116-3911-15	1/4W 390 ohm	R529	119-1031-15	1/10W 10k ohm
Q215	125-4014-90	KSD2020D	R225	119-1031-15	1/10W 10k ohm	R530	119-3931-15	1/10W 39k ohm
Q216	125-2199-93	KRC103S	R226	116-1221-15	1/4W 1.2k ohm	R531	119-4731-15	1/10W 47k ohm
Q217	191-1237-00	2SB1237	R227	119-1031-15	1/10W 10k ohm	R532	119-4721-15	1/10W 4.7k ohm
Q218	125-2199-93	KRC103S	R228	116-1221-15	1/4W 1.2k ohm	R533	119-1021-15	1/10W 1k ohm
Q219	191-1237-00	2SB1237	R229	116-1521-15	1/4W 1.5k ohm	R534	119-4721-15	1/10W 4.7k ohm
Q220	125-4015-90	KTC2026	R230	116-2211-15	1/4W 220 ohm	R536	119-1021-15	1/10W 1k ohm
Q221	125-0199-92	KRA102S	R238	119-1031-15	1/10W 10k ohm	R537	119-1221-15	1/10W 1.2k ohm
Q222	125-2199-93	KRC103S	R244	116-3911-15	1/4W 390 ohm	R538	119-1241-15	1/10W 120k ohm
Q227	125-4014-90	KSD2020D	R245	119-1021-15	1/10W 1k ohm	R539	119-4721-15	1/10W 4.7k ohm
Q232	125-0199-92	KRA102S	R301	119-3311-15	1/10W 330 ohm	R540	119-1541-15	1/10W 150k ohm
Q233	125-2199-93	KRC103S	R302	119-3311-15	1/10W 330 ohm	R542	119-1021-15	1/10W 1k ohm
Q401	125-4012-90	KTD1304	R308	032-0140-89	1/10W 47k ohm F	R543	119-4731-15	1/10W 47k ohm
Q450	125-4012-90	KTD1304	R309	032-0140-89	1/10W 47k ohm F	R544	119-4731-15	1/10W 47k ohm
Q451	125-4012-90	KTD1304	R310	032-0140-89	1/10W 47k ohm F	R545	119-5621-15	1/10W 5.6k ohm
Q452	125-4012-90	KTD1304	R311	032-0140-89	1/10W 47k ohm F	R546	119-5621-15	1/10W 5.6k ohm
Q453	125-4012-90	KTD1304	R312	032-0140-89	1/10W 47k ohm F	R547	119-4731-15	1/10W 47k ohm
Q454	125-4012-90	KTD1304	R313	032-0140-89	1/10W 47k ohm F	R548	119-4731-15	1/10W 47k ohm
Q455	125-4012-90	KTD1304	R314	032-0140-89	1/10W 47k ohm F	R549	119-4741-15	1/10W 470k ohm
Q502	125-4010-90	KTC3875S	R315	032-0140-89	1/10W 47k ohm F	R550	119-4741-15	1/10W 470k ohm
Q503	125-2199-96	KRC106S	R316	119-1041-15	1/10W 100k ohm	R552	119-1041-15	1/10W 100k ohm
Q504	125-2038-92	RN1902	R317	119-1021-15	1/10W 1k ohm	R553	119-1231-15	1/10W 12k ohm
Q505	125-0199-96	KRA106S	R318	119-1021-15	1/10W 1k ohm	R556	119-1521-15	1/10W 1.5k ohm
Q506	125-0199-96	KRA106S	R319	119-1041-15	1/10W 100k ohm	R557	119-1521-15	1/10W 1.5k ohm
Q508	125-2038-92	RN1902	R320	119-8221-15	1/10W 8.2k ohm	R558	119-1521-15	1/10W 1.5k ohm
Q514	125-2199-96	KRC106S	R401	119-1041-15	1/10W 100k ohm	R559	119-1521-15	1/10W 1.5k ohm
Q515	125-2199-93	KRC103S	R402	119-2231-15	1/10W 22k ohm	R560	119-1831-15	1/10W 18k ohm
Q530	125-2199-92	KRC102S	R403	119-1041-15	1/10W 100k ohm	R561	119-8221-15	1/10W 8.2k ohm
Q601	125-2199-93	KRC103S	R404	119-1041-15	1/10W 100k ohm	R562	119-5611-15	1/10W 560 ohm
Q602	125-2199-93	KRC103S	R405	119-0000-05	1/10W 0 ohm JW	R563	119-4731-15	1/10W 47k ohm
Q603	125-3004-90	KTA1504S	R406	119-1021-15	1/10W 1k ohm	R564	119-4721-15	1/10W 4.7k ohm
R1	119-1021-15	1/10W 1k ohm	R450	119-2231-15	1/10W 22k ohm	R565	119-8221-15	1/10W 8.2k ohm
R7	119-1231-15	1/10W 12k ohm	R451	119-2231-15	1/10W 22k ohm	R566	119-5611-15	1/10W 560 ohm
R8	119-1031-15	1/10W 10k ohm	R452	119-2231-15	1/10W 22k ohm	R567	119-4731-15	1/10W 47k ohm
R9	119-4741-15	1/10W 470k ohm	R453	119-2231-15	1/10W 22k ohm	R568	119-4721-15	1/10W 4.7k ohm
R10	119-2221-15	1/10W 2.2k ohm	R454	119-2231-15	1/10W 22k ohm	R569	119-1831-15	1/10W 18k ohm
R14	119-5631-15	1/10W 56k ohm	R455	119-2231-15	1/10W 22k ohm	R570	119-8211-15	1/10W 820 ohm
R15	119-1031-15	1/10W 10k ohm	R458	119-3311-15	1/10W 330 ohm	R571	119-1021-15	1/10W 1k ohm
R16	119-2221-15	1/10W 2.2k ohm	R459	119-3311-15	1/10W 330 ohm	R572	119-1241-15	1/10W 120k ohm
R18	119-1031-15	1/10W 10k ohm	R460	119-3311-15	1/10W 330 ohm	R573	119-1031-15	1/10W 10k ohm
R19	119-1031-15	1/10W 10k ohm	R461	119-3311-15	1/10W 330 ohm	R574	119-1021-15	1/10W 1k ohm
R21	119-1021-15	1/10W 1k ohm	R462	119-3311-15	1/10W 330 ohm	R575	119-1541-15	1/10W 150k ohm
R24	119-1521-15	1/10W 1.5k ohm	R463	119-3311-15	1/10W 330 ohm	R576	119-6811-15	1/10W 680 ohm
R25	119-1521-15	1/10W 1.5k ohm	R466	119-1021-15	1/10W 1k ohm	R577	119-6811-15	1/10W 680 ohm
R26	119-1031-15	1/10W 10k ohm	R467	119-1021-15	1/10W 1k ohm	R578	119-8211-15	1/10W 820 ohm
R27	119-1021-15	1/10W 1k ohm	R468	119-1021-15	1/10W 1k ohm	R579	119-2221-15	1/10W 2.2k ohm
R28	119-1021-15	1/10W 1k ohm	R476	119-0000-05	1/10W 0 ohm JW	R580	119-2221-15	1/10W 2.2k ohm

REF No.	PART No.	DESCRIPTION	REF No.	PART No.	DESCRIPTION	REF No.	PART No.	DESCRIPTION
R581	119-1031-15	1/10W 10k ohm	R602	119-4721-15	1/10W 4.7k ohm	R635	119-1031-15	1/10W 10k ohm
R582	119-1031-15	1/10W 10k ohm	R603	116-6801-15	1/4W 68 ohm	R636	119-1041-15	1/10W 100k ohm
R583	119-1031-15	1/10W 10k ohm	R604	119-1031-15	1/10W 10k ohm	R637	119-0000-05	1/10W 0 ohm JW
R584	119-1031-15	1/10W 10k ohm	R605	119-0000-05	1/10W 0 ohm JW	R638	119-1041-15	1/10W 100k ohm
R585	119-1531-15	1/10W 15k ohm	R606	119-5621-15	1/10W 5.6k ohm	R639	119-1031-15	1/10W 10k ohm
R586	119-1531-15	1/10W 15k ohm	R607	119-1031-15	1/10W 10k ohm	R677	119-1031-15	1/10W 10k ohm
R591	119-6831-15	1/10W 68k ohm	R609	119-3321-15	1/10W 3.3k ohm	R678	119-1031-15	1/10W 10k ohm
R592	119-8231-15	1/10W 82k ohm	R611	119-0000-05	1/10W 0 ohm JW	S600	013-6103-00	SWITCH
R593	119-6831-15	1/10W 68k ohm			(Only PE2745B)	S602	013-7106-00	TKR00120670MM
R594	119-8231-15	1/10W 82k ohm	R612	119-0000-05	1/10W 0 ohm JW	S603	013-7206-50	SPPB530701
R595	119-2231-15	1/10W 22k ohm			(Only PE2745K)	SUP51	060-0122-20	DSP-141N-S00B
R596	119-2231-15	1/10W 22k ohm	R613	119-0000-05	1/10W 0 ohm JW	X1	061-1066-80	7.2MHz
R597	119-1031-15	1/10W 10k ohm	R622	119-2231-15	1/10W 22k ohm	X601	060-1533-90	CSTCE10M0G52-RO
R598	119-1031-15	1/10W 10k ohm	R630	119-0000-05	1/10W 0 ohm JW			
R599	119-4731-15	1/10W 47k ohm	R631	116-1021-15	1/4W 1k ohm	PWB	039-2658-01	PWB(WITHOUT COMPONENT)
R600	119-3321-15	1/10W 3.3k ohm	R633	119-0000-05	1/10W 0 ohm JW			
R601	119-4731-15	1/10W 47k ohm	R634	119-0000-05	1/10W 0 ohm JW			

CD mechanism (929-0601-81)

CD PWB(B4) section

REF No.	PART No.	DESCRIPTION	REF No.	PART No.	DESCRIPTION	REF No.	PART No.	DESCRIPTION
C1	168-4732-78	0.047uF	C67	168-1045-56	0.1uF	IC12	051-7519-08	SN74LV273APWR
C2	046-3922-58	3900pF	C68	046-1032-78	0.01uF	IC13	051-7239-38	SN74AHC08PWR
C3	046-3332-78	0.033uF	C70	168-1045-56	0.1uF	IC14	051-9330-00	K4S641632F-TC60
C4	045-2201-50	22pF	C71	168-1045-56	0.1uF	IC15	051-7518-08	SN74LV139APWR
C5	045-3901-50	39pF	C72	168-1045-56	0.1uF	IC16	051-7203-48	SN74LV74APW
C6	168-4732-78	0.047uF	C75	046-1032-78	0.01uF	IC17	051-3263-90	NJU7200U33
C7	045-2096-50	2pF	C76	168-1045-56	0.1uF	IC18	051-7222-48	SN74AHC1G08D
C8	042-0416-52	10V10uF TAN	C77	163-2273-05	4V220uF	J1	074-1138-65	15P
C9	042-0416-52	10V10uF TAN	C78	168-1045-56	0.1uF	J2	074-1138-60	10P
C10	046-5622-58	5600pF	C80	168-1045-56	0.1uF	J3	074-1237-70	20P
C11	178-1052-78	1uF	C81	168-1045-56	0.1uF	J4	074-1138-57	7P
C12	163-1073-05	4V100uF	C82	178-1052-78	1uF	Q1	125-0002-92	RN2402
C13	178-1052-78	1uF	C83	046-4722-58	4700pF	Q2	125-2004-92	RN1402
C14	168-1045-56	0.1uF	C84	178-1052-78	1uF	Q3	131-1188-50	2SB1188PQR
C15	046-6822-58	6800pF	C85	046-1032-78	0.01uF	Q4	190-1586-50	2SA1586Y,G
C16	046-3332-78	0.033uF	C86	168-1045-56	0.1uF	Q5	125-2004-92	RN1402
C17	178-2242-78	0.22uF	C87	168-1045-56	0.1uF	Q50	125-2004-92	RN1402
C18	168-4732-78	0.047uF	C88	045-1011-50	100pF	R1	033-3341-15	1/10W 330k ohm
C19	045-1511-50	150pF	C89	045-1011-50	100pF	R2	033-4741-15	1/10W 470k ohm
C20	046-2212-58	220pF	C90	046-1032-78	0.01uF	R3	033-1521-15	1/10W 1.5k ohm
C21	178-1052-78	1uF	C91	046-1032-78	0.01uF	R4	033-3321-15	1/10W 3.3k ohm
C22	046-4722-58	4700pF	C92	168-1045-56	0.1uF	R5	033-4721-15	1/10W 4.7k ohm
C23	163-1073-05	4V100uF	C93	046-1032-78	0.01uF	R6	117-1001-15	1/8W 10 ohm
C30	168-1045-56	0.1uF	C95	168-1045-56	0.1uF	R7	033-2251-15	1/10W 2.2M ohm
C31	163-1073-05	4V100uF	C96	163-4763-05	4V47uF	R8	033-6831-15	1/10W 68k ohm
C32	046-1032-78	0.01uF	C97	042-0416-52	10V10uF TAN	R9	033-1021-15	1/10W 1k ohm
C33	046-1032-78	0.01uF	C98	168-1045-56	0.1uF	R10	033-3331-15	1/10W 33k ohm
C34	168-1045-56	0.1uF	C99	046-1032-78	0.01uF	R11	033-1231-15	1/10W 12k ohm
C35	168-1045-56	0.1uF	CCT1	050-0145-54	1/10W 47k ohm x4	R12	033-1231-15	1/10W 12k ohm
C36	046-1022-58	1000pF	CCT2	050-0145-54	1/10W 47k ohm x4	R14	033-6831-15	1/10W 68k ohm
C37	042-0416-52	10V10uF TAN	CCT3	050-0146-53	1/10W 100k ohm x2	R17	033-1811-15	1/10W 180 ohm
C38	046-4722-58	4700pF	CCT4	050-0146-53	1/10W 100k ohm x2	R30	033-1011-15	1/10W 100 ohm
C39	178-2242-78	0.22uF	CCT5	050-0146-55	1/10W 68k ohm x2	R31	033-6811-15	1/10W 680 ohm
C40	168-1045-56	0.1uF	CCT6	050-0145-54	1/10W 47k ohm x4	R32	033-6811-15	1/10W 680 ohm
C41	046-2232-78	0.022uF	CCT8	050-0146-53	1/10W 100k ohm x2	R33	033-2211-15	1/10W 220 ohm
C42	046-6812-58	680pF	CCT9	050-0145-54	1/10W 47k ohm x4	R35	033-3311-15	1/10W 330 ohm
C43	046-1022-58	1000pF	D1	001-2610-90	RB480KTL	R36	033-5631-15	1/10W 56k ohm
C50	168-1045-56	0.1uF	D2	001-2610-90	RB480KTL	R37	033-8231-15	1/10W 82k ohm
C51	045-1011-50	100pF	D3	001-0367-91	1SS226	R38	033-5631-15	1/10W 56k ohm
C52	046-1522-58	1500pF	D4	001-2610-90	RB480KTL	R39	033-3331-15	1/10W 33k ohm
C53	046-1522-58	1500pF	IC1	051-5709-90	AN8399SA-E1	R40	033-8221-15	1/10W 8.2k ohm
C54	046-6812-58	680pF	IC2	051-6393-00	MN6627482WB	R41	033-1031-15	1/10W 10k ohm
C55	163-1073-35	16V100uF	IC3	051-6062-08	BA5996FM-E2	R42	033-2731-15	1/10W 27k ohm
C56	168-1045-56	0.1uF	IC4	051-7221-58	SN74AHC1G04HD	R43	033-1031-15	1/10W 10k ohm
C57	046-1022-58	1000pF	IC5	052-5056-01	MN102H60KCK1	R44	033-1531-15	1/10W 15k ohm
C60	045-1801-50	18pF	IC6	051-6372-00	TMS320DA150P	R45	033-5621-15	1/10W 5.6k ohm
C61	045-1801-50	18pF	IC7	051-3314-90	TA48S033F	R46	033-4741-15	1/10W 470k ohm
C62	046-1032-78	0.01uF	IC8	051-3315-90	TPS76316DBVR	R47	033-1541-15	1/10W 150k ohm
C63	168-1045-56	0.1uF	IC9	051-5442-08	BD4826G	R48	033-2241-15	1/10W 220k ohm
C64	168-1045-56	0.1uF	IC10	051-9814-00	MBM29DL800BA-90PFTN	R50	117-6811-15	1/8W 680 ohm
C65	168-1045-56	0.1uF				R51	033-1031-15	1/10W 10k ohm
C66	046-1032-78	0.01uF	IC11	051-7519-08	SN74LV273APWR	R52	033-1031-15	1/10W 10k ohm

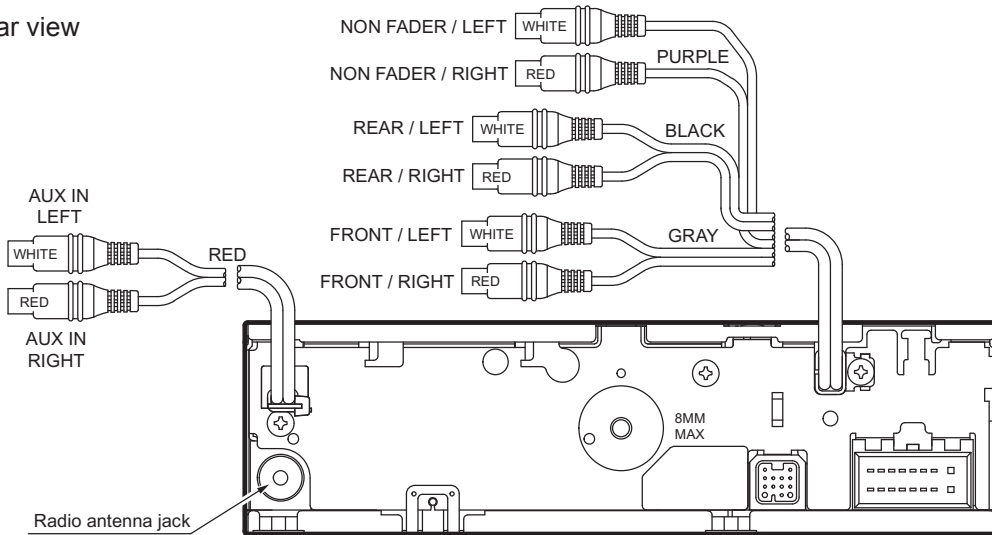
REF No.	PART No.	DESCRIPTION	REF No.	PART No.	DESCRIPTION	REF No.	PART No.	DESCRIPTION
R53	033-1031-15	1/10W 10k ohm	R71	033-0000-05	1/10W 0 ohm	R96	033-1021-15	1/10W 1k ohm
R54	033-1031-15	1/10W 10k ohm	R72	033-0000-05	1/10W 0 ohm	R97	033-4721-15	1/10W 4.7k ohm
R55	033-8221-15	1/10W 8.2k ohm	R73	033-0000-05	1/10W 0 ohm	TM1	073-0768-90	TERMINAL
R56	033-1041-15	1/10W 100k ohm	R82	033-0000-05	1/10W 0 ohm	X1	060-1535-90	16.934MHz
R57	033-1011-15	1/10W 100 ohm	R83	033-1211-15	1/10W 120 ohm	X2	060-1535-90	16.934MHz
R62	033-1041-15	1/10W 100k ohm	R84	033-0000-05	1/10W 0 ohm	PWB	039-2439-20	PWB(WITHOUT COMPONENT)
R63	033-1041-15	1/10W 100k ohm	R94	033-1041-15	1/10W 100k ohm			
R66	119-4741-15	1/10W 470k ohm	R95	033-2231-15	1/10W 22k ohm			

LED PWB(B5) section

REF No.	PART No.	DESCRIPTION	REF No.	PART No.	DESCRIPTION	REF No.	PART No.	DESCRIPTION
D1	001-7058-90	AN1105W-RR	Q1	060-4015-90	PS1192H	S2	013-7413-50	LIMIT
D2	001-7058-90	AN1105W-RR	Q2	060-4015-90	PS1192H	PWB	039-1944-21	PWB(WITHOUT COMPONENT)
J1	074-1138-60	10P	S1	013-7414-50	CHUCKING			

CONNECTOR LAYOUT

Rear view

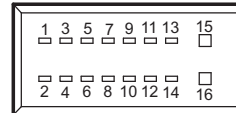


J600 (CeNET)



No.	Description
1	GND
2	BACK UP
3	L-CH(+)
4	N.C.
5	N.C.
6	BUS(+)
7	R-CH(+)
8	R-CH(-)
9	SYS-ACC
10	BUS(-)
11	L-CH(-)
12	ILLUMI
13	N.C.

J201



No.	Description	No.	Description
1	SP R/L(+)	2	SP R/L(-)
3	SP F/L(-)	4	PHONE INT
5	SP F/L(+)	6	ACC
7	SP F/R(+)	8	AUTO ANT
9	SP F/R(-)	10	REMOTE
11	SP R/R(+)	12	ILLUMI
13	SP R/R(-)	14	BACK UP(BUS)
15	BACK UP	16	GND

